



The ultimate outdoor grilling experience.

Phone: 1 (888) 287-3333 ♦ Fax: 1 (877) 855-5373 ♦ #106-2480 Mt. Lehman Road, Abbotsford, BC V4X 2N3

## Owner's Manual for JPG50



### **Important Notice**

Please read ALL safety notices on Pg. 1-2  
before assembling or operating this grill.



---

## CERTIFICATION AND SAFETY

---

### **!WARNING!**

If you smell gas:

1. Shut off gas to the appliance.
2. Extinguish any open flame.
3. Open lid.
4. If odor continues, keep away from the appliance and immediately call your gas supplier or your fire department

### **!WARNING!**

1. Do not store or use gasoline or other flammable liquids or vapors in the vicinity of this or any other appliance.
2. An LP cylinder not connected for use shall not be stored in the vicinity of this or any other appliance.

This appliance has been tested by LabTest Certification Inc. and has been tested to ANSI Z21.58-2007/CSA 1.6-2007 + Addenda 1 (2008).

NOTE: The use and installation of this product must conform to local codes or, in the absence of local codes, with either the National Fuel Gas Code, ANSI A223.1/NFPA S4, Natural Gas and Propane Installation Code, CSA B149.1, or Propane Storage and Handling code, B149.2, or the Standard for Recreational Vehicles, ANSI A 119.2/NFPA 1191, and CSA Z240 RV Series, Recreational Vehicle Code, as applicable.

### **SAFETY FIRST:**

Read and understand all warning and precautions prior to operating your portable gas grill.

### **DANGER:**

**To prevent fire or explosion hazard always perform a Leak Test.**

1. Always perform a "LEAK TEST" before lighting this portable gas grill, each time the cylinder is connected for use.
2. NO SMOKING. Do not use or permit sources of ignition in the area while conducting a leak test.
3. Conduct the leak test outdoors in a well ventilated area.
4. Do not use matches, lighters, or any open flame to perform a leak test.

### **TO CHECK FOR LEAKS:**

**Make 2 or 3 OZ. of leak solution by mixing 1 part liquid dish soap with three parts water.**

1. Make sure the gas control knob is off.
2. Spoon several drops of this solution at the cylinder to the regulator valve connection.
3. Inspect the solution at the connection, looking for bubbles. If NO bubbles appear, the connection is secure. If bubbles appear, you have a leak.
4. Disconnect the cylinder and reconnect, making sure the connection is secure.
5. Retest with soap solution, if you continue to see bubbles, replace the cylinder.

**WARNING:**

1. This portable grill is for outside use only, and shall not be used in any building, garage or enclosed area.
2. This portable grill is set up from the factory for use with Propane Gas only. (LP Propane Cylinder not included).
3. Do not use gasoline, kerosene, or alcohol for lighting!! The LP gas supply cylinder must be constructed and marked in accordance with the specifications for LP-gas cylinders of the US Department of transport (DOT) CFR 49 or the National Standards of Canada, CAN/CSA B339, Cylinders, Spheres and Tubes for the Transportation of Dangerous Goods.
4. Always open the grill lid slowly and carefully as heat and steam trapped within the grill can cause severe burns.
5. Always place your grill on a hard level surface away from combustible materials. An asphalt or blacktop surface may not be an acceptable surface for this purpose. See page 5 for details.
6. Do not attempt to move this Portable grill while lit.
7. Do not leave a lit grill unattended. Keep children and pets away from this grill at all times.
8. Do not use this grill unless it is COMPLETELY assembled and all parts are securely fastened and tightened.
9. To prevent liquid propane from entering the regulator valve and causing a possible hazard, make sure during installation and use, the propane cylinder is lower than the regulator valve / regulator.
10. Do not use the portable grill in an explosive area. Keep grill area clear and free from combustible materials, gasoline and other flammable vapors and liquids.
11. Do not alter this grill in any manner.
12. Do not touch any metal surfaces on this grill until it has completely cooled to avoid burns, unless wearing protective gear. (Pot holders, gloves, BBQ mittens, etc.)
13. It is essential to keep the portable grills valves compartment, burners, and circulating air passages clean and free of obstructions. Inspect the grill before each use.



**WARNING:** This product can expose you to chemicals including Chromium (hexavalent compounds), which are known to the State of California to cause cancer and birth defects or other reproductive harm. (For more information go to: [www.P65Warnings.ca.gov](http://www.P65Warnings.ca.gov))

**DANGER:**

- Do not store any spare LP cylinders within 10 feet of this portable grill.
- Liquid propane (LP) gas is flammable and hazardous if not handled correctly. Become aware of the characteristics before using any propane (LP) product.
- LP characteristics: Flammable, explosive under pressure, heavier than air, and settles and pools in low areas.
- In its natural state propane (LP) has no odor. For your safety and odorant has been added that smells like rotten eggs.
- Contact with propane (LP) gas can cause freeze burns to your skin.
- This portable grill is shipped from the factory for use with (LP) gas use only.
- Never use an (LP) cylinder with a damaged body.
- Dented and rusted (LP) cylinders may be hazardous and should be checked by a LP gas supplier.



## CONNECTING GAS CYLINDER:

This grill is designed to operate with a (DOT-39 Cylinder) one pound 7-3/8" High Disposable / 16.4 oz propane gas cylinder. DO NOT ATTEMPT TO REFILL ANY DISPOSABLE GAS CYLINDERS!! The LP-gas supply cylinder to be used must be constructed and marked in accordance with the National Standards of Canada, CAN/CSA-B339, Cylinders, spheres, and tubes for the Transportation of Dangerous Goods. Only cylinders marked "Propane" may be used. The gas cylinder should not be dropped or handled roughly!! If the appliance is not in use, the gas cylinder must be disconnected. Storage of this Portable grill is permissible only if the LP cylinder is disconnected and removed from the appliance. Cylinders must be stored outdoors out of reach of children and must not be stored in a building, garage, or any enclosed area. Your cylinder must not be stored in an area where the temperature can reach over 125 degrees F. Before connection, be sure that there is no debris caught in the head of the gas cylinder, head of the regulator valve, or in the head of the burner or burner ports. Lubricate the threads of the regulator valve with petroleum jelly, insert the gas cylinder into the regulator valve and hand tighten firmly. Disconnect the gas cylinder when the appliance is not in use. DO NOT obstruct the flow of combustion air and ventilation air to this portable grill.

---

## TABLE OF CONTENTS

---

CERTIFICATION & SAFETY INFORMATION	1-3
TABLE OF CONTENTS	3
OWNER REGISTRATION	4
DIMENSIONS	5
CLEARANCES	5
UNPACKAGING YOUR GRILL	6
TOOLS REQUIRED FOR ASSEMBLY	6
PREPARING YOUR GRILL FOR OPERATION	7
LIGHTING INSTRUCTIONS	8
CLEANING AND MAINTENANCE	9
PARTS LIST AND EXPLODED VIEW	10 & 11
WARRANTY	12

SAVE THESE INSTRUCTIONS FOR FUTURE REFERENCE. IF YOU ARE ASSEMBLING THIS UNIT FOR SOMEONE ELSE, GIVE THIS MANUAL TO HIM OR HER FOR FUTURE REFERENCE.
--

---

## Special Message to Our Customers:

---

All of us at Jackson thank you, for choosing a Jackson Grill! This appliance was intelligently designed, engineered, and built with quality components that we are confident will provide you with years of excellent operation. Please take the time to read the entire manual and familiarize yourself with all the features of the Jackson Grill. This manual also contains important safety information and operation instructions. Please write your barbecue's serial # in the space below, and ensure that this manual remains handy to the barbecue for quick reference.

To obtain replacement parts for your Jackson Grill, contact your local dealer. If you have any questions please call us anytime at the number below: (Please have your model and serial number at hand)

**Grill Model: JPG50**

**Serial Number:** \_\_\_\_\_  
Write your serial number here for future reference.

**OWNER REGISTRATION:** Please take the time to fill out and return a Warranty Registration Card, or on-line at [www.jacksongrills.com](http://www.jacksongrills.com) or simply fill in the form below and mail or fax to: (Thank you for your help!)

**Jackson Grills**  
#106-2480 Mt. Lehman Rd.  
Abbotsford, BC.  
Canada V4X 2N3

**Customer Support (Tel):** 1 (888) 287-3333 or  
**Customer Support (E-mail):** [info@jacksongrills.com](mailto:info@jacksongrills.com)  
**Fax:** 1 (877) 855-5373  
**Parts Ordering:** Contact your Dealer

---

**Please complete and return within 10 days. Thank you.**

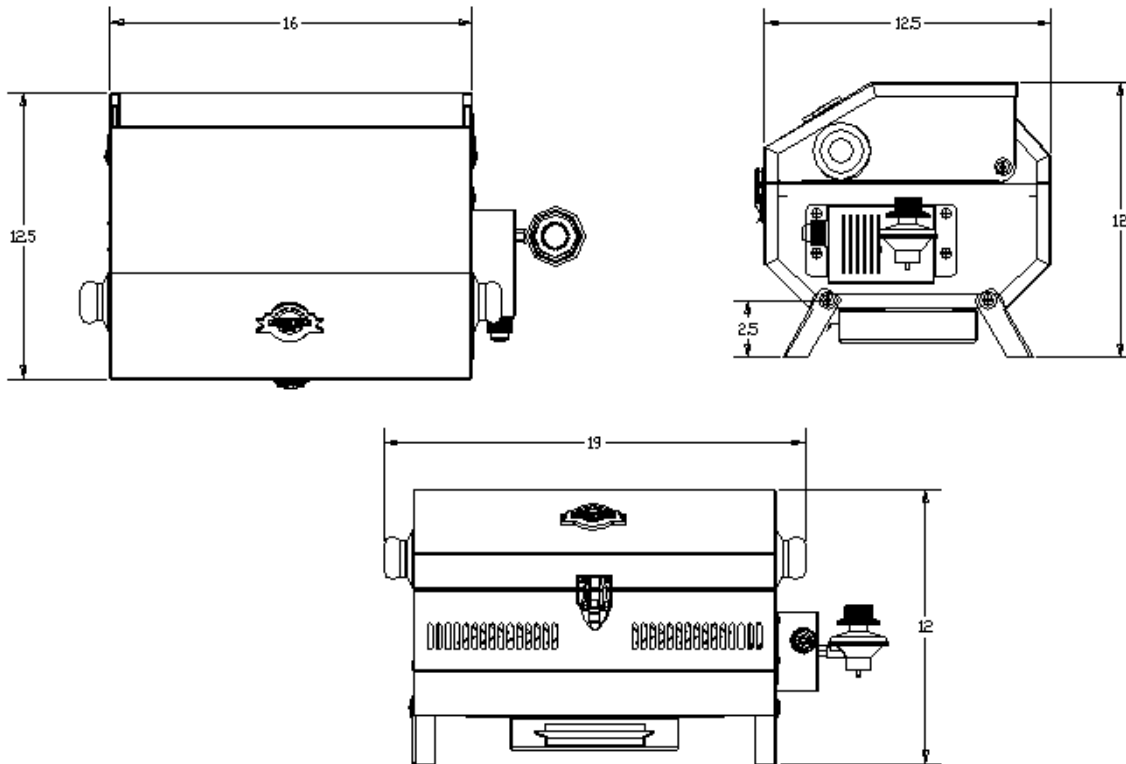
Title:	Mr.	Mrs.	Ms.	Miss (Circle One)
First Name:	Initial:		Last Name:	
Street:				Apt. #:
City:	State/Prov.:		Zip/Postal:	
Phone:	Email:			
Date Purchased:	Dealer:			
Model:	Serial #:			
Comments:				

**Dear Grill Owner; please keep this manual for future reference.**

---

## DIMENSIONS

---



---

## CLEARANCE TO COMBUSTIBLES

---

Keep all combustible surfaces at least 12 inches (30.24 cm) away from the grill at all times. This appliance shall not be located or used under overhead unprotected combustible construction.

Please Note: These clearances are distances to prevent combustion. These are not clearances to warping, discolouring, melting, etc. Please use caution and discretion when operating near combustible material.

### **CAUTION:**

**Use only the gas pressure regulator supplied with this appliance. This regulator is set for an outlet pressure of 11" wc.** If a replacement is necessary, please call your local dealer or distributor. The use of unauthorized parts can create unsafe conditions or environment.

---

## UNPACKAGING YOUR GRILL

---

Your portable grill has been factory assembled. However, there are still some items that must be unpacked and placed in to the correct location. For assembly instructions please refer to the next page, PREPARING YOUR GRILL FOR OPERATION.

### **PARTS LIST:**

- 1 Firebox Complete
- 1 Handles
- 1 AA/AAA Battery for Ignition Module
- 1 Flavor Shield
- 1 Cooking Grid
- 1 Drip cup (Grease Cup)
- 1 Owners Operators Manual

---

## TOOLS REQUIRED FOR ASSEMBLY:

---

- 1 X SMALL Crescent Wrench

Please ensure all components have been supplied with this appliance before assembly or operation begins.

Please remove all packaging materials before using this portable grill.

**DO NOT THROW AWAY ANY OF THE PACKAGING UNTIL YOU HAVE CONFIRMED ALL PARTS WERE SUPPLIED.**

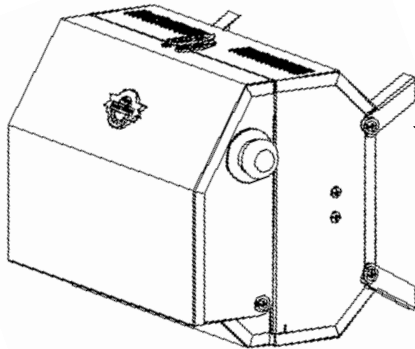
---

## PREPARING YOUR GRILL FOR OPERATION

---

### **STEP 1:**

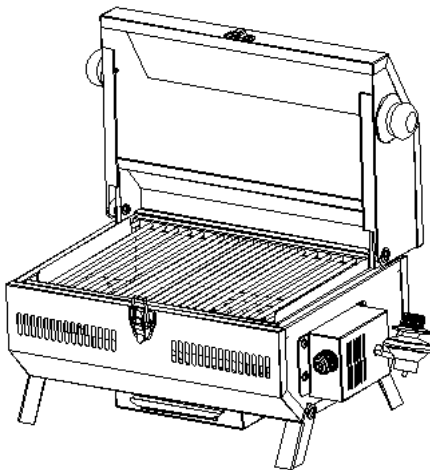
With the hood closed and latch in the closed position, lay the portable grill on its back and flip down the fold down leg system.



Flip down the fold down leg system.

### **STEP 2:**

Place the unit in the upright position and screw in the supplied portable regulator. Do not over tighten; finger tight is sufficient, but the fitting can be LIGHTLY tightened with a small crescent wrench.



Screw the portable regulator into the side of the control box. Do not over tighten.

### **STEP3:**

Make sure a battery (supplied) is installed in the ignition module. To do so, unscrew the black igniter button by turning it counter clockwise. The igniter only works if the battery is installed in the correct direction.

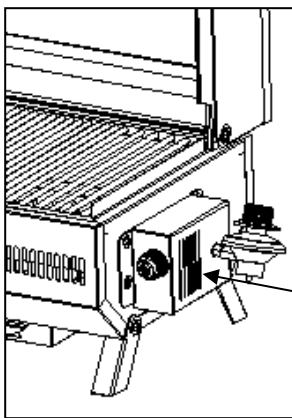


---

## LIGHTING INSTRUCTIONS

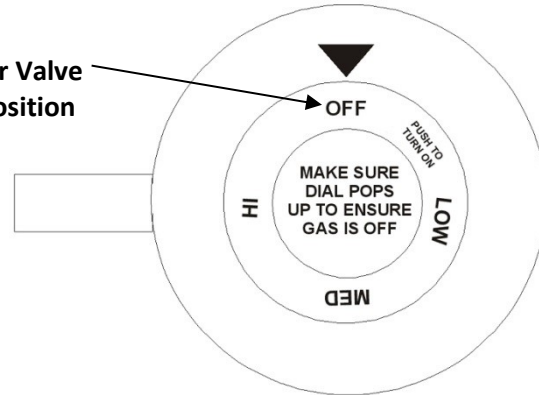
---

Open the lid before lighting the portable grill. Make sure there are no obstructions of air flow to the grill. Spiders and insects can nest within the burner and clog the burner, venturi tube and the gas orifice. Clean the burner ports by using a stiff wire brush, paper clip or stiff pipe cleaner. Make sure the gas control knob is turned to the OFF position. Turn the regulator valve to the highest setting and depress the igniter button until burner lights. After the appliance has lit, please observe the burner flame, make sure all burner ports are lit and that the flame is constant and no longer than 2" inches in length.

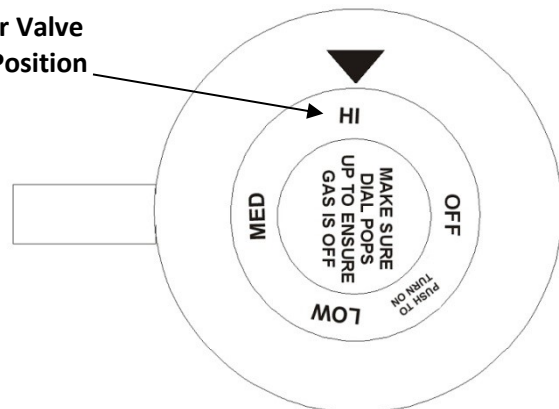


Igniter

Regulator Valve  
"OFF" position



Regulator Valve  
Lighting Position



If the burner does not light before 4 seconds of clicking, turn the regulator to the OFF position and wait 5 minutes for the gas to clear before trying again.

If the burner flame goes out while the unit is operating turn the unit OFF immediately, open the lid to clear out any gas.

**Turn off LP supply at cylinder when appliance is not in use.**

Operate the grill for the first time approximately for 15 minutes before you use the grill to cook food. This will burn off any residues from the assembly process.

Clean your grill after each use. Do not use any abrasive cleaners, or flammable cleaners. This could damage the surfaces of this grill.

---

## CLEANING AND MAINTENANCE

---

### **CAUTION:**

Most cleaning and maintenance should be done while the unit is completely cold. Burning off the grill on high for about 5 minutes after each use will keep excessive food residue from building up.

### **Cooking surface cleaning:**

Clean the cooking surface after each use.

### **Outside surfaces cleaning:**

Use mild dish soap and hot water to clean the outside of the grill.

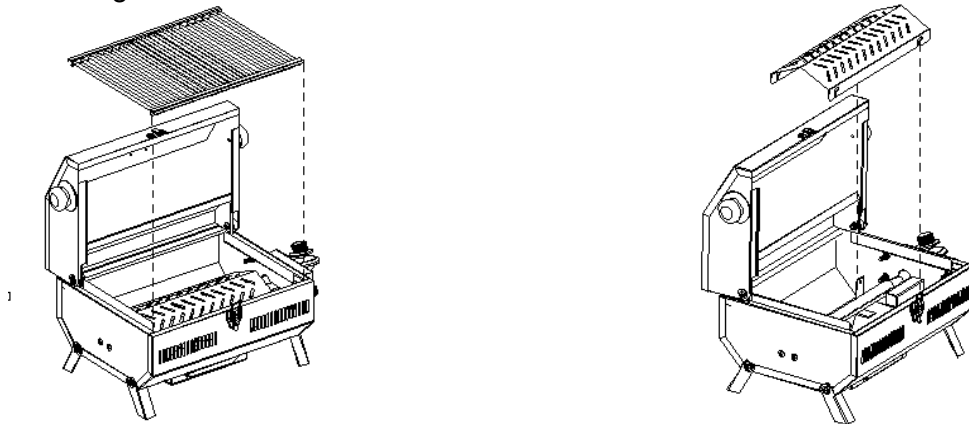
Do not use any abrasive cleaners or scouring pads on this appliance as this will scratch the outside surface of the portable grill. Use a spray on stainless steel cleaner to add shine to the exterior stainless steel.

**NOTE:** Always use a soft cloth and wipe in the direction of the grade of the stainless steel.

### **Interior firebox maintenance:**

Remove the cooking grid, flame diffuser and the burner from the grill. Remove excess residue using a scraper and/or cleaning pad. Spray the inside of the firebox with stainless steel-friendly degreaser and let stand for 5 minutes. Use a toothbrush to loosen up grease and food residues. Wipe out firebox with a paper towel or rag.

**NOTE:** Make sure all of the degreaser is wiped dry and let the grill air out with the lid open for 15 minutes before using.

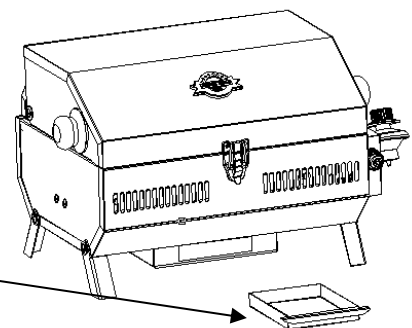


### **Burner maintenance:**

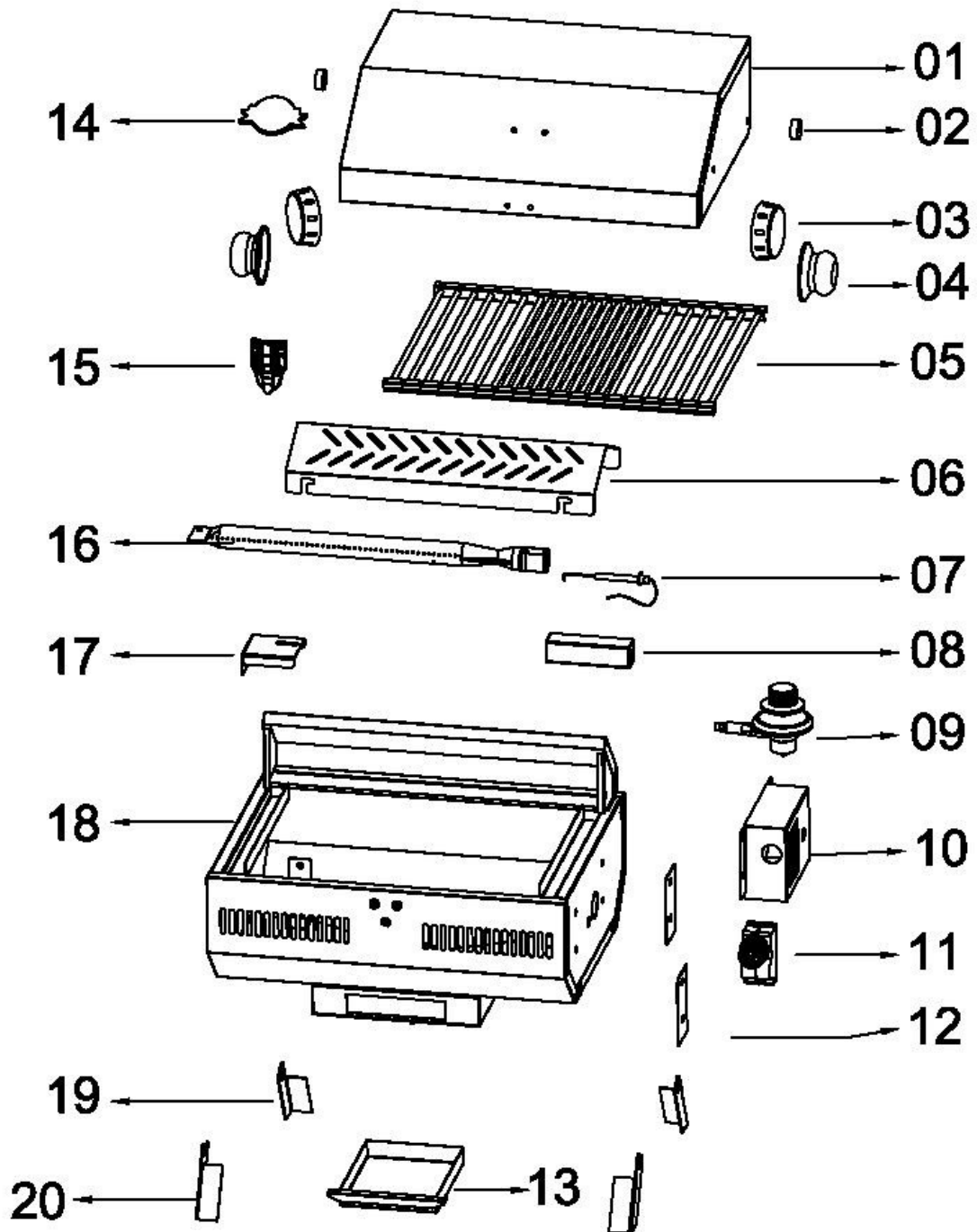
Clean the exterior burner surface with a stiff brass or stainless steel bristle brush. Make sure all of the burner port holes are free of obstruction by using a large paperclip to poke the holes out. This is extremely important to prolong the lifespan of the stainless steel burner.

### **Flame diffuser maintenance:**

Remove residue using a brush, scraper and or cleaning pad. This will reduce flare ups and prevent premature break down.



# JPG50 – Exploded View



## JPG50 – Parts List

	Part Number	Part Description	Quantity Req'd
1	JH-04	Hood: JPG50 Versa	1
2	JH-22	Hood Spacer: JPG50, JVS75, JVS100	2
3	JH-176	Lid Handle Spacer: JPG50/JVS75	2
4	JH-88	Handle Knob: JPG50 Hood 2pc Set	1
5	JG-01	Grid: JPG50 VGS Roller	1
6	JD-01	Diffuser: Versa 50	1
7	JE-13	Electrode: Versa JPG Series	1
8	JE-25	Collector Box: Versa JPG Series	1
9	JF-50	Port Reg: Versa JPG Series LP	1
10	JH-54	Control Box: Versa JPG Only	1
11	JE-03	Ign. Module: 1 Pole Vera AAA	1
12	JH-71	Gasket: Control Box JPG/JVS	2
13	JH-80	Grease Cup: JPG50/JVS75	1
14	JH-02	Jackson Logo	1
15	JH-70	Hood Latch	1
16	JB-00XLU	Burner: Main Burner Universal	1
17	JH-64	Bracket: Burner Mount Versa JPG	1
18	JH-177	Firebox: Tub JPG50	1
19	JH-66	Leg: JPG50 Fold Down Rear	2
20	JH-65	Leg: JPG50 Fold Down Front	2



---

## Limited Lifetime Warranty:

---

MODEL NO: JPG50

Jackson Grills warrants the following materials and workmanship to be free of defects for as long as you own the grill subject to the conditions below:

First 5 years: (from date of purchase) Jackson Grills will replace or repair (at our option) any defective part in the list below at no charge. From year 6 to lifetime, any defective part in the list below will be replaced or repaired (at our option) at 50% of the current retail price:

- Stainless Steel Burner
- Stainless Steel inner & outer hood
- Firebox
- Flame diffusers
- Stainless Steel cooking grids

2 Year Warranty: (from date of purchase); Jackson Grills will replace or repair (at our option), any defective part from the list below, at no charge. Labor Charges incurred are not covered.

- LP hose and regulator
- Natural Gas Hose & Quick Release fitting
- Natural Gas Regulator
- Thermometer
- Gas valves
- Fasteners
- Igniter and electrode
- Handles
- Accessory parts (excluding covers)

### Limited Warranty Subject to the following Conditions & Limitations:

**(NOTE: Shipping and Labor Charges are NOT covered)**

- The bill of sale (proof of original ownership) and serial number will be required in order to claim warranty from your authorized dealer. The warranty registration card must be returned within 30 days to register your warranty.
- This factory warranty is non-transferable and may not be extended under any circumstances.
- Jackson Grills warrants its products to the original purchaser only (NO EXCEPTIONS).
- This Limited Warranty does not cover any damage caused by misuse, lack of maintenance, hostile environments, accident, alterations, abuse or neglect, including scratches, dents, corrosion, discoloring by heat ( discoloring is normal), & abrasive or chemical damage resulting from use of harsh cleaners.
- Should deterioration occur to the point of non-performance within the duration of the warranted coverage, a replacement will be provided in the first year only. This warranty extends to the repair or replacement of warranted parts that are defective in materials or workmanship provided that the product has been operated in accordance with the operation instructions and under normal conditions.
- After the first year Jackson Grills reserves the right to fully disengage all obligations of this Warranty by refunding the original warranted purchaser the original wholesale price of the warranted parts.
- A licensed, authorized, service technician or contractor must install the gas grill.
- Genuine Jackson parts must always be used; use of parts supplied by other manufacturers will nullify the warranty.
- The installation must be done in accordance with the installation procedures described in the included owner's manual.
- Jackson Grills or its parties will not be responsible for the installation, labor or any other costs or expenses related to the refitting of the warranted part, and such expenses are not covered by this warranty.
- Notwithstanding any provision contained in this Limited Warranty, Jackson Grills responsibility under this warranty is defined as above and it shall not in any event extend to any incidental, consequential, or indirect damages.
- Jackson Grills neither assumes, nor authorizes any third party to assume, on its behalf, any other liabilities with respect to the sale of this product.
- Jackson Grills reserves the right to inspect any parts prior to approving warranty claim.
- Jackson Grills or its representatives shall not be liable for ANY expenses arising from labor, shipping, or customs duty costs.



The ultimate outdoor grilling experience.

Phone: 1 (888) 287-3333 ♦ Fax: 1 (877) 855-5373 ♦ #106-2480 Mt. Lehman Road, Abbotsford, BC V4X 2N3

## MANUEL D'UTILISATION POUR JPG50



### **Avis important**

Veuillez lire TOUTES les consignes de sécurité sur les pages 14 et 15 avant d'assembler ou d'utiliser ce barbecue.

---

## CERTIFICATION ET SÉCURITÉ

---

### **! AVERTISSEMENT!**

Si vous sentez une odeur de gaz :

1. Fermez l'arrivée de gaz de l'appareil.
2. Éteignez toute flamme nue.
3. Ouvrez le couvercle.
4. Si l'odeur persiste, éloignez-vous de l'appareil et appelez immédiatement le fournisseur de gaz ou les pompiers.

### **! AVERTISSEMENT!**

1. N'entrez pas et n'utilisez pas d'essence ou autres liquides ou gaz inflammables à proximité de cet appareil ou de tout autre appareil.
2. N'entrez pas aucune bouteille de gaz propane non raccordée à proximité de cet appareil ou de tout autre appareil.

Cet appareil a été testé par Labtest Certification Inc. et a été testé par rapport à la norme ANSI Z21.58-2007/ CSA 1.6-2007+ Addenda 1 (2008).

REMARQUE : L'utilisation et l'installation de ce produit doivent être conformes aux codes locaux ou, en l'absence de codes locaux, au National Fuel Gas Code, aux normes ANSI A223.1/NFPA S4, au Natural Gas and Propane Installation Code, CSA B149.1, au Propane Storage and Handling code, B149.2, ou au Standard for Recreational Vehicles, ANSI A 119.2/NFPA 1191, et à CSA Z240 RV Series, Recreational Vehicle Code, selon ce qui s'applique.

### **LA SÉCURITÉ AVANT TOUT :**

Veillez lire et comprendre tous les avertissements et précautions avant d'utiliser votre barbecue portatif au gaz.

### **DANGER :**

**Pour éviter tout risque d'incendie ou d'explosion, effectuez toujours un test de détection de fuites.**

1. Effectuez toujours un « TEST DE DÉTECTION DE FUTES » avant d'allumer ce barbecue à gaz portatif, chaque fois que la bouteille est branchée pour l'utilisation.
2. INTERDICTION DE FUMER N'utilisez pas ou ne permettez pas l'utilisation de sources inflammables dans la zone pendant que vous effectuez un test de détection de fuites.
3. Effectuez le test de détection de fuites à l'extérieur, dans un endroit bien aéré.
4. N'utilisez pas d'allumettes, de briquets ou de flammes nues pour réaliser le test de détection de fuites.

### **DÉCELEZ LES FUTES :**

**Préparez 2 ou 3 oz. de solution de détection des fuites en mélangeant 1 partie de savon liquide à vaisselle avec 3 parties d'eau.**

1. Assurez-vous que le bouton de commande de gaz est éteint.
2. Versez plusieurs gouttes de cette solution au niveau de la bouteille sur le branchement du détendeur.

3. Vérifiez la solution au niveau du branchement, à la recherche de bulles. Si AUCUNE bulle n'apparaît, cela signifie que le branchement est sécuritaire. Si des bulles apparaissent, c'est qu'il y a une fuite.
4. Débranchez la bouteille et rebranchez-la, en vous assurant que le branchement est sécuritaire.
5. Recommencez le test avec la solution de savon, si vous continuez à voir des bulles, remplacez la bouteille.

### **AVERTISSEMENT :**

1. Ce barbecue portatif est destiné à un usage extérieur seulement et ne doit pas être utilisé dans un bâtiment, un garage ou un endroit fermé.
2. Ce barbecue portatif a été conçu en usine pour une utilisation avec du gaz propane uniquement. (Réservoir de propane LP non compris).
3. N'utilisez pas d'essence, de kérosène ou d'alcool pour l'allumage!! Les bouteilles de LP d'alimentation en gaz doivent être fabriquées et étiquetées conformément aux spécifications relatives aux bouteilles de gaz LP du ministère américain des transports (DOT) CFR 49 ou aux normes nationales du Canada, CAN/CSA B339, relatives aux cylindres, sphères et tubes pour le transport des matières dangereuses.
4. Ouvrez toujours le couvercle du barbecue lentement et soigneusement, car la chaleur et la vapeur coincées dans le barbecue peuvent causer des brûlures graves.
5. Installez toujours votre barbecue sur une surface dure et plane, à l'écart des matériaux combustibles. L'asphalte ou un revêtement noir peut ne pas être une surface acceptable pour cet usage. Consultez la page 5 pour obtenir des renseignements.
6. N'essayez pas de déplacer le barbecue portatif pendant qu'il est allumé.
7. Ne laissez pas le barbecue allumé sans surveillance. Gardez les enfants et les animaux loin de ce barbecue en tout temps.
8. N'utilisez pas ce barbecue à moins qu'il soit COMPLÈTEMENT assemblé et que toutes les pièces soient solidement fixées et serrées.
9. Afin d'empêcher le propane liquide de pénétrer dans le robinet de régulation et de causer un éventuel danger, assurez-vous que la bouteille de propane est plus basse que le détendeur/régulateur pendant l'installation et l'utilisation.
10. N'utilisez pas le barbecue portatif dans un endroit propice aux explosions. Les lieux d'utilisation du barbecue doivent être tenus propres et exempts de matériaux combustibles, d'essence et de tout gaz ou liquide inflammable.
11. Ne modifiez pas ce barbecue de quelque façon que ce soit.
12. Ne touchez pas les surfaces métalliques sur le barbecue jusqu'à ce qu'elles soient complètement refroidies pour éviter les brûlures, à moins de porter un équipement de protection (poignées, gants, mitaines pour barbecue, etc.).
13. Il est essentiel de tenir le compartiment du robinet, les brûleurs et les passages d'air en circulation du barbecue portatif propres et exempts d'obstructions et de débris. Inspectez le barbecue avant chaque utilisation.



**AVERTISSEMENT:** Ce produit peut vous exposer à des produits chimiques, y compris le chrome (composés hexavalents), qui sont reconnus par l'État de Californie pour causer le cancer et des anomalies congénitales ou d'autres problèmes de reproduction. (Pour plus d'informations, visitez: [www.P65Warnings.ca.gov](http://www.P65Warnings.ca.gov))



## **DANGER :**

- N'entrez pas de bouteilles de LP de recharge à moins de 10 pieds de ce barbecue portatif.
- Le gaz propane liquide (LP) est inflammable et dangereux s'il n'est pas manipulé correctement. Prenez connaissance des caractéristiques avant d'utiliser un produit au propane (LP).
- Caractéristiques du LP : inflammable, explosif sous pression, plus lourd que l'air, et se dépose et s'accumule dans les zones basses.
- À l'état naturel, le propane (LP) n'a pas d'odeur. Pour votre sécurité un produit odorant qui sent l'œuf pourri a été ajouté.
- Le contact avec le gaz propane (LP) peut causer des brûlures de congélation sur la peau.
- Ce barbecue portatif est expédié de l'usine pour une utilisation avec du gaz propane (LP) uniquement.
- N'utilisez jamais une bouteille (LP) endommagée.
- Les bouteilles (LP) de bosselées et rouillées peuvent être dangereuses et doivent être vérifiées par un fournisseur de gaz LP.



## **BRANCER LA BOUTEILLE DE GAZ :**

Ce barbecue est conçu pour fonctionner avec une bouteille de gaz propane (bouteille DOT-39) d'une livre à usage unique et d'une hauteur de 7 3/8 po/16,4 oz. **NE TENTEZ PAS DE REMPLIR LES BOUTEILLES DE PROPANE À USAGE UNIQUE!!** Toutes les bouteilles de gaz LP devant être utilisées doivent être construites et marquées conformément aux Normes nationales du Canada, CAN/CSA-B339, relatives aux cylindres, sphères et tubes pour le transport des matières dangereuses. Seules les bouteilles portant l'inscription « Propane » peuvent être utilisées. La bouteille de gaz ne doit pas être échappée ou manipulée brusquement!! La bouteille de gaz doit être débranchée lorsque l'appareil n'est pas utilisé. L'entreposage de ce barbecue portatif n'est permis que si la bouteille de LP est débranchée et retirée de l'appareil. Les bouteilles doivent être entreposées à l'extérieur hors de la portée des enfants et ne doivent pas être entreposées dans un bâtiment, un garage ou tout autre endroit fermé. Votre bouteille ne doit pas être entreposée dans un endroit où la température peut atteindre plus de 125 degrés F. Avant le raccordement, assurez-vous qu'il n'y a pas de débris pris dans la tête de la bouteille de gaz, dans la tête du robinet de régulation ou dans la tête ou les orifices du brûleur. Lubrifiez le filetage du détendeur avec de la gelée de pétrole, insérez la bouteille de gaz sur le détendeur et serrez fermement à la main. Débranchez la bouteille de gaz lorsque vous n'utilisez pas l'appareil. N'obstruez PAS le flux d'air de combustion et de ventilation vers ce barbecue portatif.

---

## TABLE DES MATIÈRES :

---

RENSEIGNEMENTS DE CERTIFICATION ET SÉCURITÉ	14-16
TABLE DES MATIÈRES	17
INSCRIPTION DU PROPRIÉTAIRE	18
DIMENSIONS	19
DÉGAGEMENTS	19
DÉBALLAGE DE VOTRE BARBECUE	20
OUTILS REQUIS POUR L'ASSEMBLAGE	20
PRÉPARATION DU BARBECUE POUR L'UTILISATION	21
INSTRUCTIONS D'ALLUMAGE	22
NETTOYAGE ET ENTRETIEN	23
LISTE DES PIÈCES ET VUE ÉCLATÉE	24-25
GARANTIE	26

CONSERVEZ CES INSTRUCTIONS POUR CONSULTATION ULTÉRIEURE. SI VOUS ASSEMBLEZ CET APPAREIL POUR QUELQU'UN D'AUTRE, REMETTEZ-LUI CE MANUEL POUR CONSULTATION

---

## Un message spécial à nos clients :

---

Toute l'équipe de Jackson vous remercie d'avoir choisi un barbecue Jackson! Cet appareil a été conçu intelligemment et construit avec des composants de qualité qui vous fourniront des années d'excellent fonctionnement, nous en sommes convaincus. Veuillez lire ce manuel au complet pour connaître et comprendre toutes les caractéristiques du barbecue Jackson Grill. En plus des instructions d'utilisation, ce manuel donne les consignes de sécurité importantes. Veuillez noter le numéro de série de votre barbecue dans l'espace ci-dessous, et veillez à ce que ce manuel demeure à proximité du barbecue pour une référence rapide.

Pour obtenir des pièces de rechange pour votre Jackson Grill, prenez contact votre revendeur local. Si vous avez des questions, veuillez nous contacter au numéro indiqué ci-dessous : (Veuillez avoir les numéros de modèle et de série de votre appareil à portée de main.)

**Numéro de modèle du barbecue : JPG50**

**Numéro de série :** \_\_\_\_\_

Notez votre numéro de série ici pour référence future.

INSCRIPTION DU PROPRIÉTAIRE : Veuillez prendre le temps de remplir et de retourner une Carte de garantie. Vous pouvez également la remplir en ligne à [www.jacksongrills.com](http://www.jacksongrills.com) ou simplement remplir le formulaire ci-dessous et l'envoyer par la poste ou par télécopieur à : (Merci de votre aide!)

**Jackson Grills**  
**#106-2480 Mt. Lehman Rd.**  
**Abbotsford, BC.**  
**Canada V4X 2N3**

**Soutien au client (Tél.) :** 1 888 287-3333 ou  
**Soutien au client (courriel) :** [info@jacksongrills.com](mailto:info@jacksongrills.com)  
**Télécopieur :** 1 877 855-5373  
**Commande de pièces :** Prenez contact avec votre détaillant

---

**Veuillez remplir le formulaire et le retourner dans un délai de 10 jours. Merci!**

Titre : M. Mme Mlle (encerclez un titre)

Prénom : \_\_\_\_\_ Initiale : \_\_\_\_\_ Nom de famille : \_\_\_\_\_

Rue : \_\_\_\_\_ App. n° : \_\_\_\_\_

Ville : \_\_\_\_\_ Prov. : \_\_\_\_\_ Code postal : \_\_\_\_\_

Téléphone : \_\_\_\_\_ Courriel : \_\_\_\_\_

Date d'achat : \_\_\_\_\_ Détaillant : \_\_\_\_\_

Modèle : \_\_\_\_\_ Numéro de série : \_\_\_\_\_

Commentaires : \_\_\_\_\_

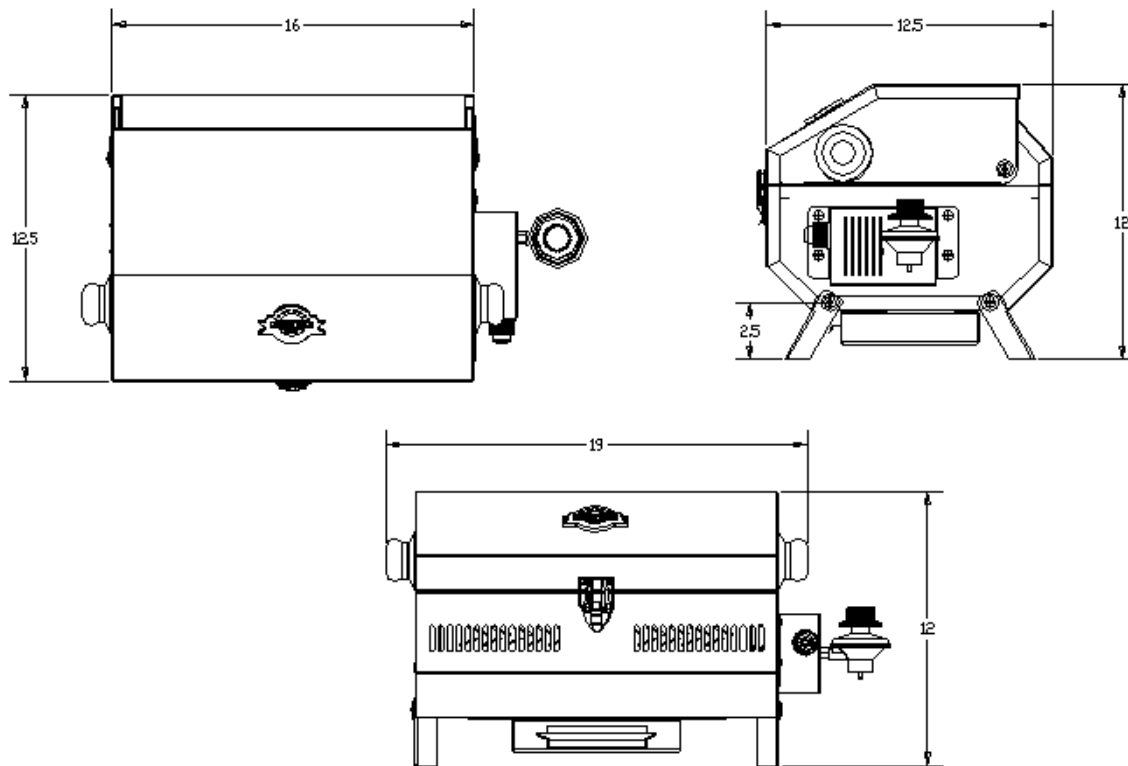
---

**Cher propriétaire du barbecue; veuillez conserver ce manuel pour référence future.**

---

## DIMENSIONS

---



---

## DÉGAGEMENTS PAR RAPPORT AUX COMBUSTIBLES

---

Tenez toutes les surfaces combustibles à au moins 12 pouces (30,24 cm) du barbecue en tout temps. Cet appareil ne doit pas être situé ou utilisé sous une construction combustible non protégée au-dessus des têtes.

Remarque : Ces dégagements sont des distances pour éviter la combustion. Il ne s'agit pas de dégagements pour le gauchissement, la décoloration, la fonte, etc. Veuillez faire preuve de prudence et de jugement lors de l'utilisation à proximité d'un matériau combustible.

### ATTENTION :

N'utilisez que le régulateur de pression de gaz fourni avec cet appareil. **Ce régulateur est réglé pour une pression de sortie de 11 po wc.** Si vous devez le remplacer, veuillez communiquer avec votre détaillant ou distributeur local. L'utilisation de pièces non autorisées

---

## **DÉBALLAGE DE VOTRE BARBECUE :**

---

Votre barbecue portatif a été monté en usine. Cependant, il y a encore quelques éléments qui doivent être déballés et placés dans la position appropriée. Vous trouverez les instructions d'assemblage à la page suivante PRÉPARATION DE VOTRE BARBECUE POUR L'UTILISATION.

### **LISTE DES PIÈCES :**

- 1 Boîte de combustion complète
- 1 Poignée
- 1 Pile AA/AAA pour le module d'allumage
- 1 Écran de saveur
- 1 Grille de cuisson
- 1 Godet d'égouttement (godet à graisse)
- 2 Guide d'utilisation du propriétaire

---

## **OUTILS REQUIS POUR L'ASSEMBLAGE :**

---

- 1 x petite clé anglaise

Veillez vous assurer que tous les composants ont été fournis avec cet appareil avant l'assemblage ou l'utilisation.

Veillez enlever tous les matériaux d'emballage avant d'utiliser ce barbecue portatif.

**NE JETEZ PAS L'EMBALLAGE AVANT DE CONFIRMER QUE TOUTES LES PIÈCES SONT PRÉSENTES.**

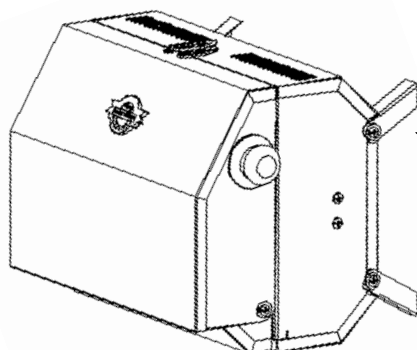
---

## PRÉPARATION DU BARBECUE POUR L'UTILISATION

---

### ÉTAPE 1 :

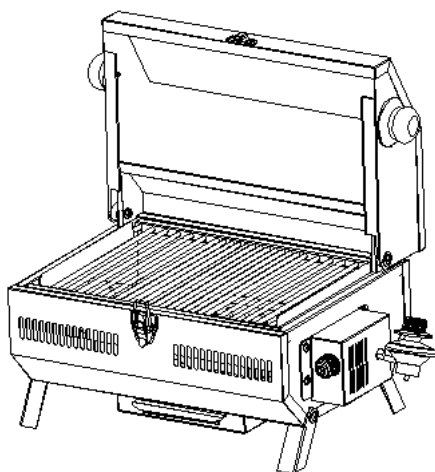
Avec le capot refermé et le loquet en position de fermeture, posez le barbecue portatif sur le dos et rabattez le système de pieds repliables vers le bas.



Dépliez le système de pieds repliables.

### ÉTAPE 2 :

Placez l'appareil en position verticale et vissez le régulateur portable fourni. Ne serrez pas trop fort; le serrage à la main est suffisant, mais le raccord peut être serré LÉGÈREMENT à l'aide d'une petite clé anglaise.



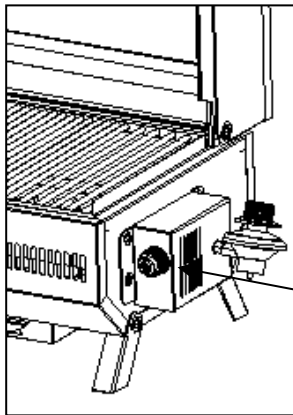
Vissez le régulateur sur le côté du boîtier de commande. Ne serrez pas trop fort.

### ÉTAPE 3 :

Assurez-vous d'installer la pile (fournie) dans le module d'allumage. Pour ce faire, dévissez le bouton noir de l'allumeur en le tournant dans le sens inverse des aiguilles d'une montre. L'allumeur ne fonctionne que si la pile est installée dans le bon sens.

## INSTRUCTIONS D'ALLUMAGE

Ouvrez le capot avant d'allumer le barbecue portatif. Assurez-vous que le flux d'air vers le barbecue n'est pas obstrué. Les araignées et les insectes peuvent faire leur nid à l'intérieur du brûleur et boucher le brûleur, le tube de Venturi et l'orifice de gaz. Nettoyez les orifices du brûleur à l'aide d'une brosse métallique rigide, d'un trombone ou d'un cure-pipe rigide. Assurez-vous que le bouton de commande de gaz est tourné à la position d'ARRÊT. Tournez la soupape du régulateur au réglage le plus élevé et appuyez sur le bouton d'allumage jusqu'à ce que le brûleur s'allume. Une fois l'appareil allumé, observez la flamme du brûleur, assurez-vous que tous les orifices du brûleur sont allumés et que la flamme est constante et que sa hauteur n'est pas supérieure à 2 po.



Dispositif d'allumage

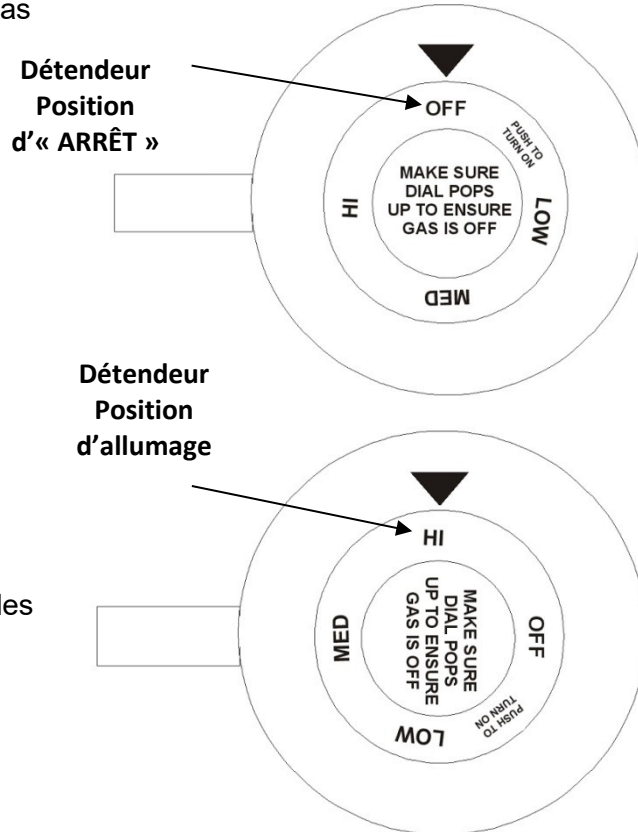
Si le brûleur ne s'allume pas dans les 4 secondes suivant le déclenchement, faites tourner le régulateur en position ARRÊT et attendez 5 minutes que le gaz se dissipe avant de réessayer.

Si la flamme du brûleur s'éteint pendant que l'appareil fonctionne, éteignez immédiatement l'appareil, ouvrez le couvercle pour évacuer le gaz.

**Coupez l'alimentation en LP à la bouteille lorsque l'appareil n'est pas utilisé.**

Faites fonctionner le barbecue pour la première fois pendant environ 15 minutes avant de l'utiliser pour cuire des aliments. Cela brûlera tous les résidus du processus d'assemblage.

Inspectez votre barbecue avant chaque utilisation. N'utilisez pas de nettoyants abrasifs ou inflammables. Cela pourrait endommager les surfaces de ce barbecue.



Détendeur  
Position  
d'« ARRÊT »

Détendeur  
Position  
d'allumage

---

## NETTOYAGE ET ENTRETIEN

---

### **ATTENTION :**

La plupart des tâches de nettoyage et d'entretien doivent être effectuées lorsque l'appareil est complètement froid. Faites brûler le barbecue à température élevée pendant environ 5 minutes après chaque utilisation afin d'éviter l'accumulation de résidus alimentaires excessifs.

### **Nettoyage de la surface de cuisson :**

Nettoyez votre barbecue après chaque utilisation.

### **Nettoyage des surfaces extérieures :**

Utilisez un savon à vaisselle doux et de l'eau chaude pour nettoyer l'extérieur du barbecue. N'utilisez pas de nettoyants abrasifs ou de tampons à récurer sur cet appareil car cela rayera la surface extérieure du barbecue portatif. Utilisez un nettoyant en vaporisateur sur l'acier inoxydable pour ajouter de l'éclat à l'acier inoxydable extérieur.

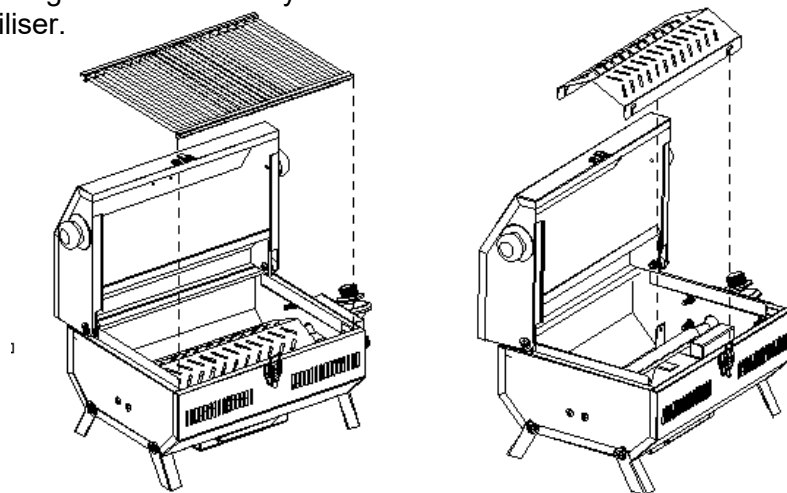
**REMARQUE :** Utilisez toujours un chiffon doux et essuyez dans le sens du grain de l'acier inoxydable.

### **Entretien de la boîte de combustion intérieure**

Retirez la grille de cuisson, le diffuseur de flamme et le brûleur du barbecue. Enlevez les excès de résidus à l'aide d'un grattoir ou d'un tampon nettoyeur. Vaporisez l'intérieur du foyer avec un dégraissant qui convient à l'acier inoxydable et laissez reposer 5 minutes. Utilisez une brosse à dents pour assouplir les résidus de graisse et de nourriture. Essuyez la boîte de combustion avec un essuie-tout ou un chiffon.

**REMARQUE :** Assurez-vous que tout le dégraissant est essuyé et aérez le barbecue avec le couvercle ouvert pendant 15 minutes avant de l'utiliser.

N'oubliez pas de nettoyer votre godet à graisse régulièrement et de toujours le nettoyer avant de transporter le barbecue.



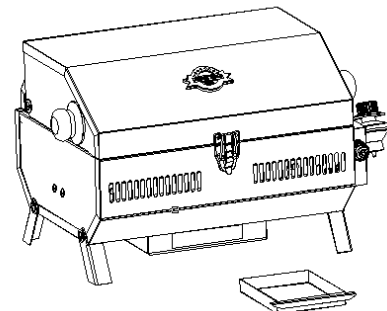
### **Entretien du brûleur :**

Nettoyez la surface extérieure du brûleur à l'aide d'une brosse rigide en laiton ou en acier inoxydable. Assurez-vous que tous les trous du brûleur sont exempts d'obstacles en perçant les trous à l'aide d'un grand trombone redressé. Ceci est extrêmement important pour prolonger la durée de vie du brûleur en acier inoxydable.

### **Entretien des diffuseurs de flamme :**

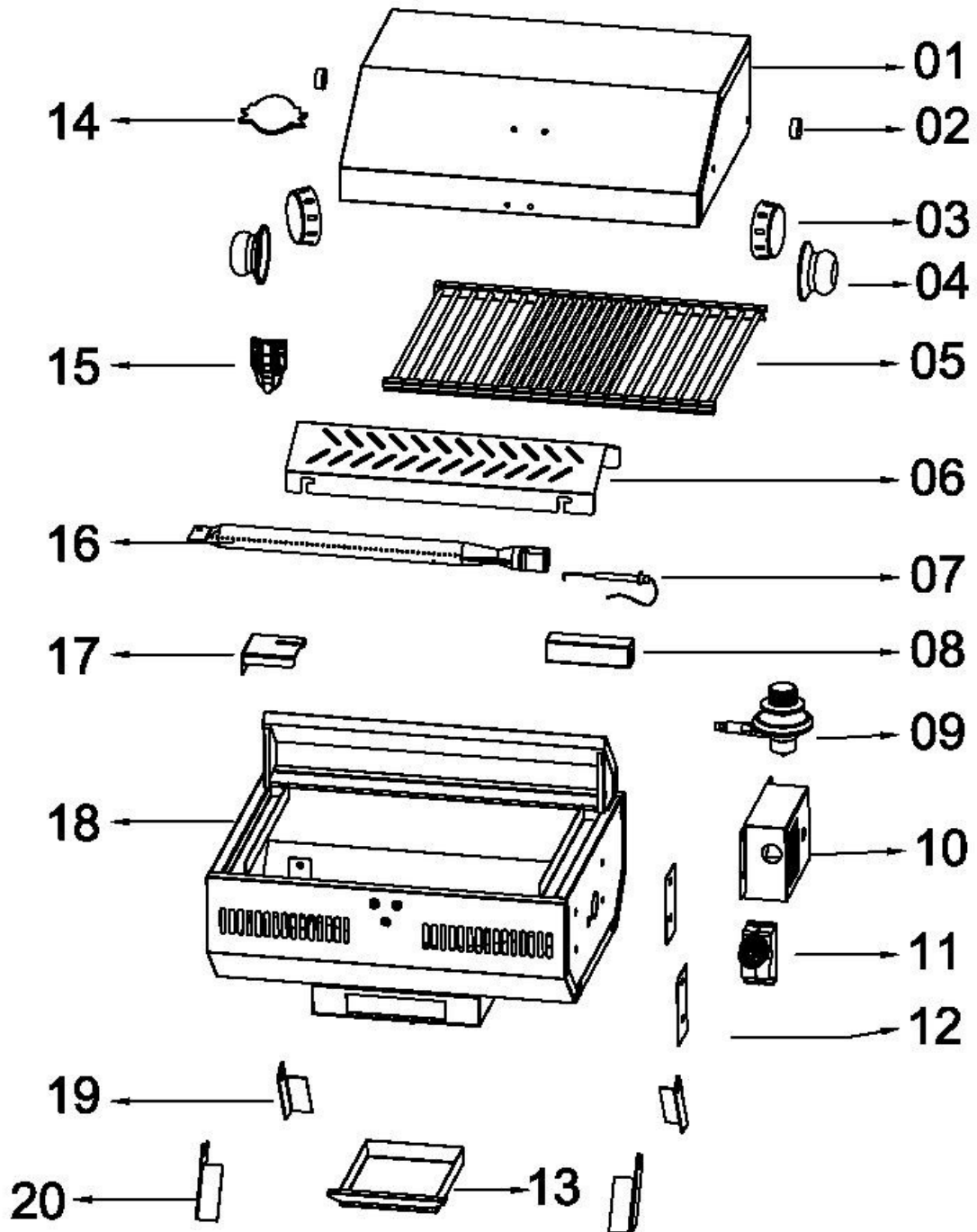
Enlevez les excès de résidus à l'aide d'une brosse, d'un grattoir ou d'un tampon nettoyeur. Cela permettra de réduire les poussées de flamme et de prévenir une défaillance prématurée.

Il est fortement recommandé de nettoyer la casserole après chaque utilisation pour éviter tout risque d'incendie ou de dégraissage de graisse pendant le transport.





JPG50 – Vue éclatée



## JPG50 – Liste des pièces

	Numéro de la pièce	Description de la pièce	Quantité requise
1	JH-04	Couvercle : JPG50 Versa	1
2	JH-22	Entretoise du couvercle : JPG50, JVS75, JVS100	2
3	JH-176	Entretoises de la poignée du couvercle : JPG50/JVS75	2
4	JH-88	Bouton de poignée : Ensemble 2 pièces de couvercle JPG50	1
5	JG-01	Grille : Rouleau JPG50 VGS	1
6	JD-01	Diffuseur : Versa 50	1
7	JE-13	Électrode : Versa JPG Series	1
8	JE-25	Boîte de collection : Versa JPG Series	1
9	JF-50	Port du régulateur : Versa JPG Series LP	1
10	JH-54	Boîtier de commandes : Versa JPG uniquement	1
11	JE-03	Module d'allumage : 1 pile Versa AAA	1
12	JH-71	Joint d'étanchéité : Bopitier de commandes JPG/JVS	2
13	JH-80	Godet du bac à graisse: JPG50/JVS75	1
14	JH-02	Logo de Jackson	1
15	JH-70	Loquet du capot	1
16	JB-00XLU	Brûleur : Brûleur universel principal	1
17	JH-64	Support : Support du brûleur Versa JPG	1
18	JH-177	Chambre de cuisson: Récipient JPG50	1
19	JH-66	Pied : repliable pour l'arrière JPG50	2
20	JH-65	Pied : repliable pour l'avant JPG50	2



---

## Garantie à vie limitée :

---

### MODÈLE N° : JPG50

Jackson Grills garantit que les items suivants sont exempts de tout défaut de pièces et de fabrication, tant et aussi longtemps que vous êtes propriétaire du barbecue, et ce sous réserve des conditions suivantes :

**Les 5 premières années :** (à partir de la date d'achat) Jackson Grills remplacera ou réparera (à sa discrétion) toute pièce défectueuse indiquée dans la liste ci-dessous, sans frais. À compter de la **6<sup>e</sup> année et pendant toute la durée de vie de l'unité**, toute pièce défectueuse indiquée dans la liste ci-dessous sera réparée ou remplacée (à la discrétion de Jackson Grills) à concurrence de 50 % du prix de vente courant :

- Brûleur en acier inoxydable
- Couvercle intérieur et extérieur en acier inoxydable
- Chambre de cuisson
- Diffuseurs de flamme
- Grilles de cuisson en acier inoxydable

**2 ans de garantie :** (à partir de la date d'achat); Jackson Grills remplacera ou réparera (à sa discrétion), toute pièce défectueuse dans la liste indiquée ci-dessous, sans frais. Les frais de main-d'œuvre encourus ne sont pas couverts.

- Tuyau et régulateur LP
- Tuyau de gaz naturel et Raccord pour boîtier de déclenchement
- Régulateur au gaz naturel
- Thermomètre
- Robinets de gaz
- Fixations
- Allumeur et électrode
- Poignées
- Pièces accessoires (à l'exclusion des couvercles)

### Garantie limitée sujette aux conditions et restrictions suivantes :

**(REMARQUE : Les frais d'expédition et de main-d'œuvre NE sont PAS couverts.)**

- La facture (ou une preuve d'achat) du propriétaire initial, ainsi que le numéro de série, seront exigés lors d'une réclamation de garantie auprès de votre détaillant autorisé. La carte d'enregistrement de garantie doit être retournée dans un délai de 30 jours, pour enregistrer votre garantie.
- Cette garantie d'usine est non négociable et ne peut être prolongée en aucun cas.
- Jackson Grills garantit ses produits à l'acheteur initial seulement (SANS EXCEPTION).
- Cette garantie limitée ne couvre pas les dommages causés par une mauvaise utilisation, un manque d'entretien, des environnements hostiles, un accident, des altérations, des abus ou de la négligence, y compris les rayures, les bosses, la corrosion, la décoloration par la chaleur (la décoloration est normale), et des dommages abrasifs ou chimiques résultant de l'utilisation des nettoyeurs agressifs.
- Dans le cas d'une détérioration de pièces causant un mauvais fonctionnement pendant la période couverte par la garantie, un remplacement de ces pièces sera effectué, au cours de la première année seulement. Cette garantie couvre la réparation ou le remplacement des pièces garanties dont les matériaux ou la fabrication sont défectueux, pourvu que le produit ait été utilisé conformément aux instructions d'utilisation et dans des conditions normales.
- Après la première année, Jackson Grills se réserve le droit de se libérer complètement de toutes ses obligations concernant cette garantie, en remboursant à l'acheteur initial (confirmé) le prix d'achat de gros des pièces garanties.
- Ce barbecue à gaz doit être installé par un technicien d'entretien ou entrepreneur qualifié et autorisé.
- Les pièces d'origine Jackson doivent toujours être utilisées; l'utilisation des pièces fournies par d'autres fabricants annulera la garantie.
- L'installation doit être effectuée en conformité avec les procédures d'installation décrites dans le manuel du propriétaire fourni.
- Jackson Grills et ses tiers ne seront aucunement responsables des frais d'installation, de main-d'œuvre ou de tous autres frais ou toute autre dépense liés au remontage d'une pièce garantie, et ces dépenses ne sont pas couvertes par cette garantie.
- Nonobstant toutes les dispositions contenues dans cette Garantie limitée, la responsabilité de Jackson Grills en vertu de cette garantie est définie comme susmentionnée, et ne s'applique à aucun dommage accidentel, consécutif ou indirect.
- Jackson Grills n'endosse ni n'autorise aucun tiers à assumer en son nom toute autre responsabilité concernant la vente de ce produit.
- Jackson Grills se réserve le droit d'inspecter toute pièce, avant d'approuver la réclamation de garantie.
- Jackson Grills ou ses représentants ne sont pas responsables de tous les frais résultant de coûts de main-d'œuvre, tels que les frais d'expédition ou les droits de douane.