



The ultimate outdoor grilling experience.

Phone: 1 (888) 287-3333 ♦ Fax: 1 (877) 855-5373 ♦ #106-2480 Mt. Lehman Road, Abbotsford, BC V4X 2N3

## OWNER'S MANUAL for Versa 75



**For Portable Model:  
JVS75-LP (Liquid Propane)**

### **Important Notice**

Please read ALL safety notices on Pg.2-3  
before assembling or operating this grill.



Intertek

5008092

# **!SAFETY WARNINGS!**

## **SAFETY FIRST:**

This instruction manual contains important information necessary for the proper assembly and safe use of the appliance. Please read, understand, and follow all warnings and precautions prior to operating your gas grill. Follow all warnings and instructions when using the appliance. Keep this manual for future reference.

### **!DANGER!**

**If you smell gas:**

- 1. Shut off gas to the appliance.**
- 2. Extinguish any open flame.**
- 3. Open lid.**
- 4. If the odor continues, keep away from appliance and immediately call your gas supplier or your fire department.**


**Failure to follow these instructions could result in fire or explosion which could cause property damage, personal injury or death.**

### **!DANGER!**

- 1. Never operate this appliance unattended**
- 2. Never operate this appliance within 25 ft (7.5m) of any flammable liquid.**
- 3. If a fire should occur, keep away from the appliance and immediately call your fire department. Do not attempt to extinguish an oil or grease fire with water**

**Failure to follow these instructions could result in fire or explosion which could cause property damage, personal injury or death.**

- 1 This grill is for outside use only, and shall not be used in any building, garage, enclosed area or vehicle.
- 2 This grill is set up from the factory for use with Propane Gas (LP). (Propane Cylinder /Tank not included).
- 3 Do not use gasoline, alcohol or other volatiles for lighting!
- 4 The Propane (LP) gas supply cylinder must be constructed and marked in accordance with the specifications for propane gas cylinders of the US Department of transport (DOT) CFR 49 or the National Standards of Canada, CAN/CSA B339, Cylinders, Spheres and Tubes for the Transportation of Dangerous Goods.
- 5 Always open the grill lid slowly & carefully as heat and steam in the grill can cause severe burns.
- 6 Always place the grill on a hard level surface away from combustible materials. See page 5 for details.
- 7 Do not attempt to move this grill while lit.
- 8 Do not leave a lit grill unattended. Keep children and pets away from this grill at all times.
- 9 Do not use this grill unless it is COMPLETELY assembled and all parts are securely installed.
- 10 To prevent liquid propane from entering the regulator valve and causing a possible hazard, please ensure that the propane cylinder is at a lower level than the regulator valve/regulator when in use.
- 11 Keep grill area clear and free from combustibles and gasoline or other flammable vapors and liquids.
- 12 Do NOT operate this grill on a combustible surface such as a wooden table top.
- 13 Do not alter this grill in any manner.
- 14 Do not touch any metal surfaces on this grill until it has completely cooled to avoid burns, unless wearing protective gear. (Pot holders, gloves, BBQ mittens, etc.)

- 15 It is essential to keep the valve compartment, burners, and circulating air passages clean and free of obstructions and debris. Inspect the grill before each use.
- 16 Do not store any spare propane cylinders within 10 feet of this Portable Grill.
- 17 Please note that propane (LP) is explosive under pressure, heavier than air, and settles and pools in low areas, which can create an explosion hazard.
- 18 Contact with propane gas can cause freeze burns to your skin.
- 19 Dented and rusted propane cylinders may be hazardous and should be checked by a propane gas supplier, before use.
- 20 Keep electrical supply cords away from heated surfaces.
- 21 This appliance is not intended for commercial use.
- 22  **DANGER** – Do not put grill in storage or travel mode immediately after use. Allow grill to cool to touch before moving or storing. Failure to do so could result in fire resulting in property damage, personal injury or death.



**WARNING:** This product can expose you to chemicals including Chromium (hexavalent compounds), which are known to the State of California to cause cancer and birth defects or other reproductive harm. (For more information go to: [www.P65Warnings.ca.gov](http://www.P65Warnings.ca.gov))

**!WARNING!**  
 Failure to follow all manufacturer's instructions could result in serious bodily injury and/or property damage.

---

## CERTIFICATION & TESTING

---

This appliance has been tested by Intertek Listed, and has been tested to ANSI Z21.89-2013/CSA 1. 18-2013 Outdoor Cooking Specialty, and Certified for Canada and the USA.

NOTE: The use and installation of this product must conform to local codes. National Fuel Gas Code, ANSI Z223.1/NFPA 54, Storage and Handling of Liquefied Petroleum Gases, ANSI/NFPA 58; or Natural Gas and Propane Installation Code, CSA B149.1; Propane Storage and Handling, CSA B149.2; or the Standard for Recreational Vehicles, ANSI A119.2/NFPA 1192; and Recreational Vehicle Code, CSA Z240 RV Series, as applicable. If an external electrical source is utilized, the appliance, when installed, must be electrically grounded in accordance with local codes or, in the absence of local codes, with the National Electrical Code, ANSI/NFPA 70, or the Canadian Electrical Code, CSA C22.1.

---

## Optional Accessories Documentation

---

If accessory is purchased, please document the code on the rating plate found on the back side of the Stainless Steel

leg: MODEL  
MODELE JVS75 -

| Pressure (kpa) | Number STH & BTU/H | Difference                           | Code : input on rating plate: |
|----------------|--------------------|--------------------------------------|-------------------------------|
| 2.96           | #66 BTU8500        | Regulator Valve GDA (KR101) (JF-146) |                               |
| 3.56           | #66 BTU8500        | Regulator Valve KSUN (RY0506)        | 2                             |
| 2.74           | #66 BTU8500        | Copper Valve LP (JPGVALVE)           | 3                             |
| 1.74           | #56 BTU8500        | Copper Valve NG (JPGVALVE + NG HOSE) | 4                             |

---

# TABLE OF CONTENTS

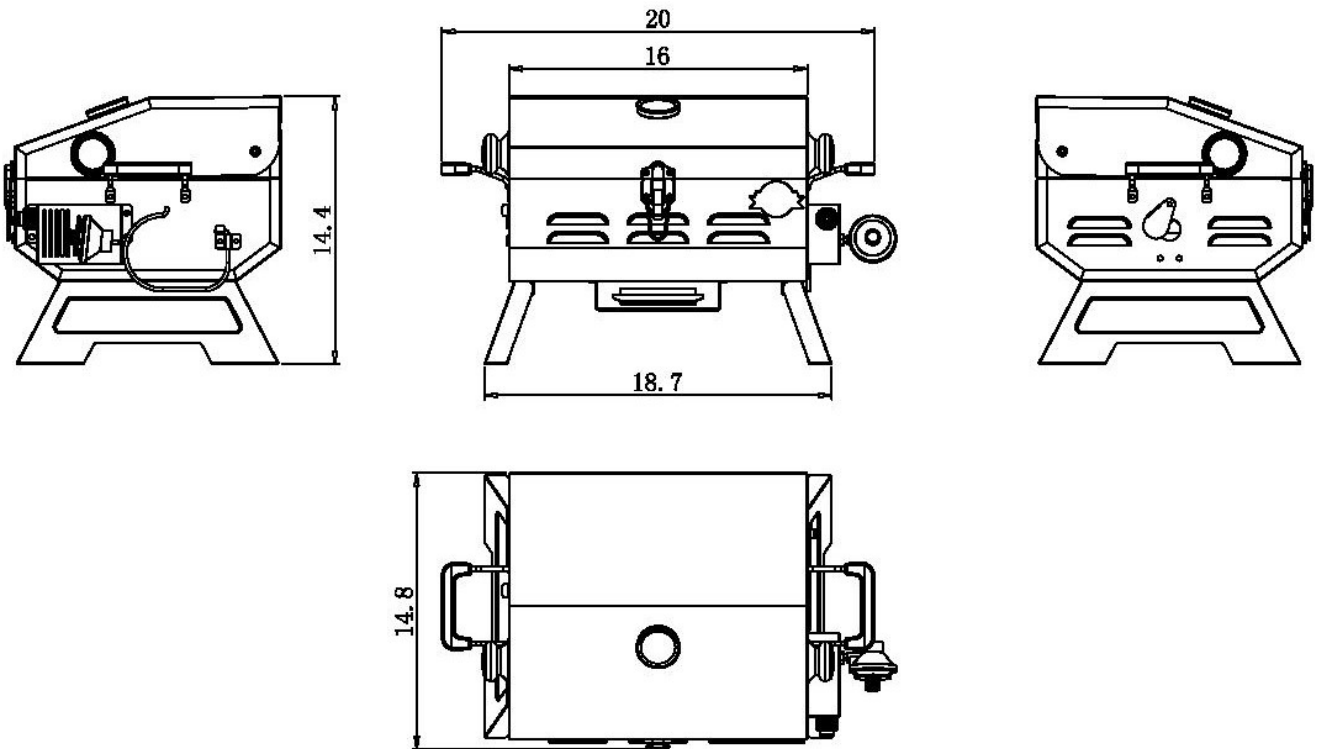
---

|  |      |
|--|------|
| Safety Warnings:                                   | 2-3  |
| Certification & Testing:                           | 3    |
| Optional Accessories Documentation:                | 3    |
| TOC & Dimensions:                                  | 4    |
| Clearances to Combustibles:                        | 5    |
| Unpacking Your Grill:                              | 5    |
| Special Message to Owners & Warranty Registration: | 6    |
| Tools Required for Assembly:                       | 7    |
| Assembling and Preparing Your Grill:               | 7    |
| Lighting Instructions:                             | 8    |
| Cleaning & Maintenance:                            | 9-10 |
| Parts List & Exploded View:                        | 11   |
| Limited Lifetime Warranty:                         | 12   |

---

## DIMENSIONS

---



---

# CLEARANCE TO COMBUSTIBLES

---

**A) Top:** from grill surface to combustible construction: **This appliance shall not be located or used under overhead unprotected combustible construction.**

**B) Bottom:** from the bottom of the firebox grease tray housing to combustible surfaces: **3" (7.62cm) minimum**

**C) Side/Rear:** from sides and rear of the unit to combustible construction: **12" (30.48cm) minimum**

Please note: These clearances are distances to prevent combustion. These are not clearances to warping, discolouring, melting, etc. Please use caution and discretion when operating near combustible material.

---

## UNPACKING YOUR GRILL

---

Please open your packaging carefully and set aside all loose components. Once unpacked, please match the parts to the list shown below. Most of your portable grill has been factory assembled. However, there are still some items that must be unpacked and placed in the correct position, in your barbecue. For assembly instructions please refer to "Assembling and Preparing Your Grill" (pg.7).

### FUEL SOURCE:

This grill is designed to operate with a (DOT-39 Cylinder) one pound 7-3/8" High, Disposable / 16.4 oz. propane (LP) gas cylinder. **DO NOT ATTEMPT TO REFILL ANY DISPOSABLE GAS CYLINDERS!!**

All propane gas supply cylinder to be used must be constructed and marked in accordance with the National Standards of Canada, CAN/CSA-B339, Cylinders, spheres, and tubes for the Transportation of Dangerous Goods. Only cylinders marked "Propane" may be used.

The propane gas cylinder should not be dropped or handled roughly. If the appliance is not in use, the gas cylinder must be disconnected. Storage of this portable grill is permissible only if the propane cylinder is disconnected and removed from the appliance. Cylinders must be stored outdoors out of reach of children and must not be stored in a building, garage, or any enclosed area.

Your cylinder must not be stored in an area where the temperature can reach over 125 degrees F. Before connection, be sure that there is no debris caught in the head of the gas cylinder, head of the regulator valve, or in the head of the burner or burner ports.

### PARTS CHECKLIST:

- 1 Firebox Complete
- 2 Handles
- 2 Handle Knobs
- 2 Lid Handle Spacers
- 1 AAA Battery for Ignition Module
- 1 Propane Regulator (For Primus Bottles)
- 1 Diffuser
- 3 Cooking Grid (2 wide spaced, 1 narrow spaced)
- 1 Drip/Grease Cup
- 2 Stainless Steel Legs
- 1 Owner's Manual

### **!WARNING!**

**Exercise caution when handling stainless steel; metal edges may be sharp and can cause injury.**

### **TECH TIP**

**Do not throw away packaging until you have confirmed that all parts are present.**



---

## Special Message to Our Customers:

---

All of us at Jackson thank you, for choosing a Jackson Grill! This appliance was designed, engineered, and built with quality components and we are confident that it will provide you with years of excellent operation.

Please take the time to read the entire manual and familiarize yourself with all of the features of the Jackson Grill. This manual also contains important safety information and operation instructions. Please write your barbecue's serial number in the space below, and ensure that this manual remains handy to the barbeque for quick reference.

To obtain replacement parts for your Jackson Grill, contact your local dealer. If you have any questions please call us anytime at the number below: (Please have your model and serial number at hand)

**Grill Model: JVS75 Portable Grill**

**\*Serial Number:** \_\_\_\_\_

\*Write your serial number here for future reference.

**OWNER REGISTRATION:** Please take the time to fill out and return a Warranty Registration Card, or on-line at [www.jacksongrills.com](http://www.jacksongrills.com) or simply fill in the form below and mail or fax to:

**Jackson Grills  
#106-2480 Mt. Lehman Rd.  
Abbotsford, BC.  
Canada V4X 2N3**

**Customer Support (Tel):  
Customer Support (E-mail):  
Fax:  
Parts Ordering:**

**1 (888) 287-3333 or  
info@jacksongrills.com  
1 (877) 855-5373  
Contact your Dealer**

---

**Please complete and return within 10 days. Thank you.**

Title: Mr. Mrs. Ms. Miss (Circle One)

First Name: \_\_\_\_\_ Initial: \_\_\_\_\_ Last Name: \_\_\_\_\_

Street: \_\_\_\_\_ Apt. #: \_\_\_\_\_

City: \_\_\_\_\_ State/Prov.: \_\_\_\_\_ Zip/Postal: \_\_\_\_\_

Phone: \_\_\_\_\_ Email: \_\_\_\_\_

Date Purchased: \_\_\_\_\_ Dealer: \_\_\_\_\_

Model: \_\_\_\_\_ Serial #: \_\_\_\_\_

Comments: \_\_\_\_\_

\_\_\_\_\_

\_\_\_\_\_

\_\_\_\_\_

\_\_\_\_\_

---

*Thank you for taking the time to fill out this Ownership and Registration Card*

**Dear Grill Owner; please keep this manual for future reference.**

---

## Tools Required for Assembly:

---

- 1 x # 2 Phillips Screw Drivers
- 1 x Small Crescent Wrench

- Please ensure all components have been supplied with this appliance before assembly or operation begins.
- Please remove all packaging materials before using this portable grill.

---

## Assembling & Preparing Your Grill:

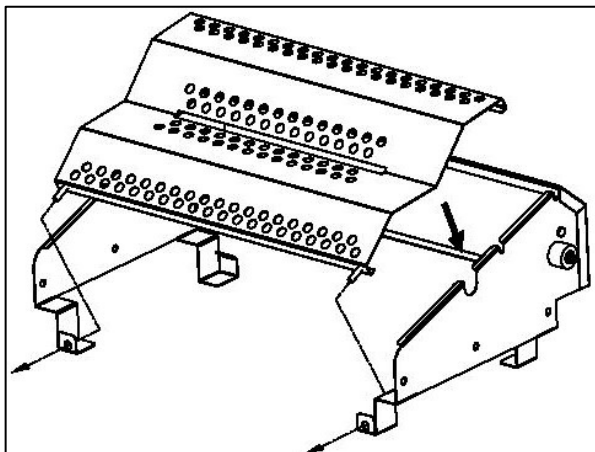
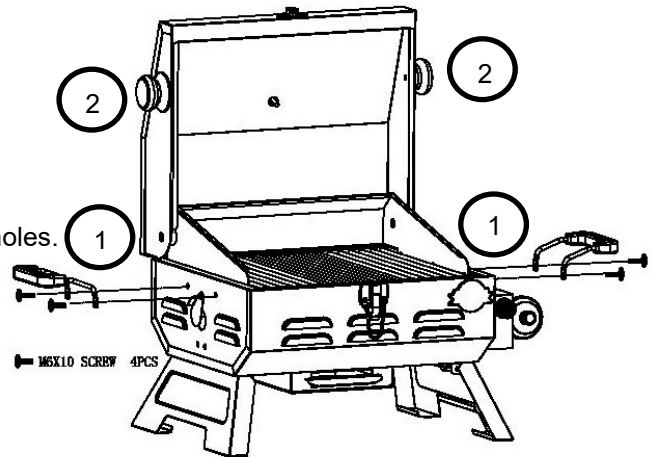
---

### STEP 1:

Install the firebox handles by screwing them to the sides of the grill head as seen right:

### STEP 2:

Install the black lid handles by opening the hood and placing the hood handle spacers (wide side down) over the handle mounting holes. Place the handle on the handle spacer and screw in the bolts from inner side of the hood. Do not over tighten and be careful not to cross thread the bolts into the handle.



### STEP 3:

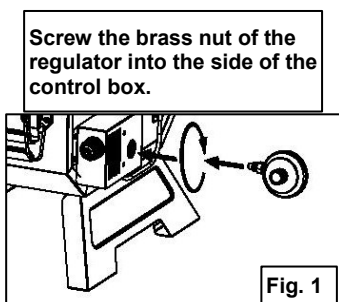
Insert diffuser into holes located at the bottom of the inner grill tub. (Left)

### STEP 4:

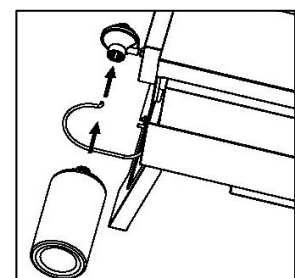
Insert grill grates into the support holes (3 grates, 12 holes).

### Step 5:

Place the unit in the upright position and screw in the supplied portable regulator (Fig. 1). Do not over tighten. Lubricate the threads of the regulator valve with petroleum jelly or grease. Insert a 1 lb. gas cylinder onto the regulator valve and hand tighten firmly. Disconnect the gas cylinder when the appliance is not in use. DO NOT obstruct the flow of combustion air and ventilation air to this portable grill.

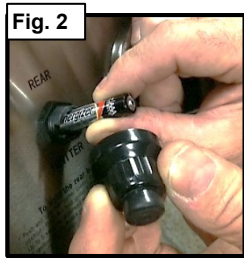


**!WARNING!**  
Use ONLY the Regulator supplied with this Grill. Use ONLY authorized Jackson Replacement Parts.



**STEP 4:**

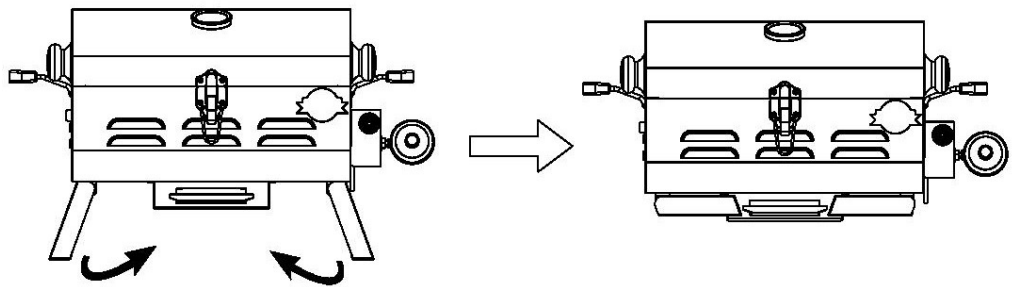
Install the supplied battery in the igniter module. (Fig. 2) To do so, unscrew the black igniter button (cap) by turning it counter clockwise. The igniter works only if the battery is installed in the correct direction.



**TECH TIP**  
Do not over tighten the brass nut as it may crack or break; slightly tighter than finger tight is sufficient.

**STEP 5:**

Legs fold for easy storage:



---

## LIGHTING INSTRUCTIONS

---

1. First, install a new 1 lb. Propane Cylinder. Tighten with one hand while supporting the regulator in the other. When first turning on the regulator, check for leaks at the joint between the cylinder and the regulator.

To check for gas leaks, you will need: A spray bottle or brush or rag and a soap and water solution (You can purchase leak test solution or make your own by mixing 20% liquid soap, 80% water).

Make sure burner control is turned off. Do NOT ignite burner when leak checking. To check for leaks, wet fittings with the soap and water solution, using a spray bottle, brush or rag. If bubbles form, or if a bubble grows, there is a leak. Apply the soap and water solution to the regulator-to-cylinder connection. If bubbles occur, this means there is a leak at the connection. Remove propane cylinder and DO NOT OPERATE THE GRILL. If a leak persists after installing a different propane cylinder, DO NOT OPERATE THE GRILL. Contact your local Jackson Grills dealer for servicing. Apply the soap and water solution to the valve-to-regulator connection. If there is a leak at the connection, remove propane cylinder and DO NOT OPERATE THE GRILL. Contact your local Jackson Grills dealer for servicing. When leak checking is complete, rinse connections with water.

2. Ensure legs are fully extended and minimum clearance to combustibles is maintained.
3. Open the lid before lighting the portable grill. Make sure there are no obstructions of air flow to the grill. Spiders and insects can nest within the burner and clog the burner, Venturi tube and the gas orifice. Clean the burner ports by using a stiff wire brush, paper clip, or stiff pipe cleaner.
4. Turn the regulator valve to the highest setting (Fig.3) and depress the igniter button until burner lights (Fig. 4). After the appliance has lit, please observe the burner flame, make sure all burner ports are lit and that the flame is constant and no longer than 2" inches in length.

**Fig. 3: Regulator Valve Lighting Position**



**Fig. 4: Igniter**







**TECH TIP**  
Use **ONLY 1 lb.** disposable  
Propane Cylinders.

4. If the burner does not light before 4 seconds of clicking, turn the regulator to the OFF position (Left) and wait 5 minutes for the gas to clear before trying again.
5. If the burner flame goes out while the unit is operating turn the unit OFF immediately, open the lid to clear out any gas.

**NOTE:** Operate the grill for the first time approximately for 15 minutes before you use the grill to cook food. This will burn off any residues from the assembly process.

---

## CLEANING AND MAINTENANCE

---

### **CAUTION:**

- Most cleaning and maintenance should be done while the unit is completely cold.
- Burning off the grill on high for about 5 minutes after each use will keep excessive food residue from building up but in no way does this replace a proper thorough cleaning.

### **Grease Management System:**

- Your grill is equipped with a small grease cup in the front of the unit. This cup should be cleaned thoroughly after each use and before the grill is transported.
- Because the design of the inside bottom of the grill promotes flow of fats and grease into this cup the bottom of the grill needs to be scraped and cleaned on a regular basis in order for the system to work as designed.
- A small amount of sand can be added to the grease cup for absorbency.

### **Cooking surface cleaning:**

- Cleaning the cook surface after each use will help keep the cook surface from having excess residue build up.
- The cooking surface can be cleaned more thoroughly by washing with hot soapy water and a Scotch Brite scouring pad. Rinse with clean hot water.

### **Outside surfaces cleaning:**

- Use mild dish soap and hot water to clean the outside of the grill.
- Do not use any abrasive cleaners, scouring pads, strong degreasers etc., on this appliance as this will scratch the outside surface of the portable grill.

### **TECH TIP**

Some cleaners may remove the silk screened labels on the console; use caution when applying.

### **TECH TIP**

When cleaning heavy soiling, always polish/scrub in the direction of the stainless steel grain.

- If using the Jackson Stainless Steel Cleaner to remove any surface corrosion be sure to go with the grain of the finish in order to not make swirls in the stainless steel, this product is mildly abrasive and is should be applied with a soft cloth.
- Always rinse with clean hot water.
- Use a spray on stainless steel polish to add shine and help protect the exterior stainless steel from surface contaminants and any corrosion.

**Interior firebox maintenance:**

- Remove the cooking grid, flame diffuser and the burner from the grill.
- Remove excess residue using a scraper and/or cleaning pad.
- Spray inside the firebox with oven degreaser and let stand for 5 minutes.
- Use a toothbrush to loosen up grease and food residues. Rinse with clean hot water.
- Wipe out firebox with a paper towel or rag.

**NOTE:**

- Make sure all of the oven degreaser and other cleaners are wiped off, and rinse with clean hot water. Then let the grill air out with the lid open for 15 minutes before using.

**Burner maintenance:**

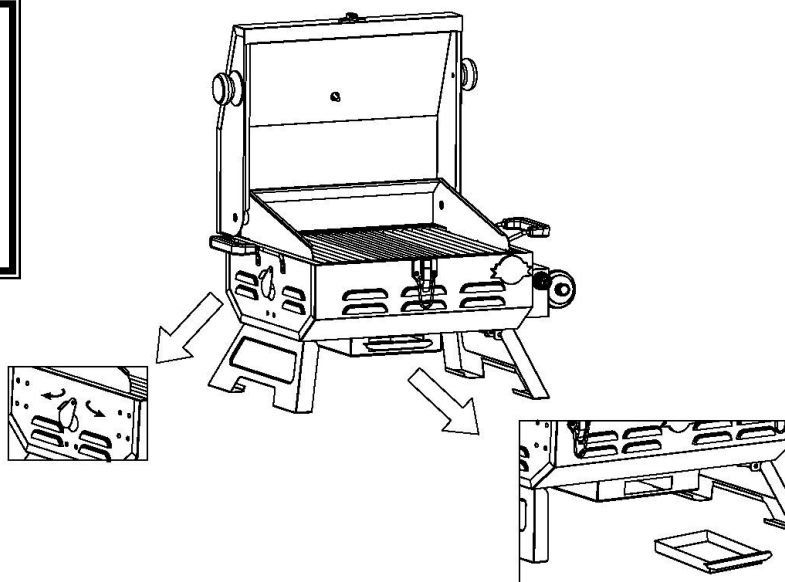
- Clean the exterior burner surface with a stiff brass or stainless steel bristle brush.
- Make sure all of the burner port holes are free of obstruction by using a large paperclip to poke the holes out. This is **extremely important** to prolong the lifespan of the stainless steel burner.
- Finally, knock out debris and residue from inside the burner. (Spider nests are a common contaminant).

**Flame diffuser maintenance:**

- Remove residue and larger pieces of food using a brush, scraper and or cleaning pad after each use.
- If desired, cleaners can be used for the final cleaning; then rinse with clean hot water.
- This will reduce flare ups and prevent premature break down.

**!WARNING!**  
Grease fires are usually caused by excess grease being left in the oven or the grease cup. Clean grease accumulations regularly! Remember to clean your grease cup out on a regular basis and always before you transport the grill.

**TECH TIP**  
Many cleaners can be caustic, so for final cleaning use soapy hot water followed by a rinse with clean hot water.



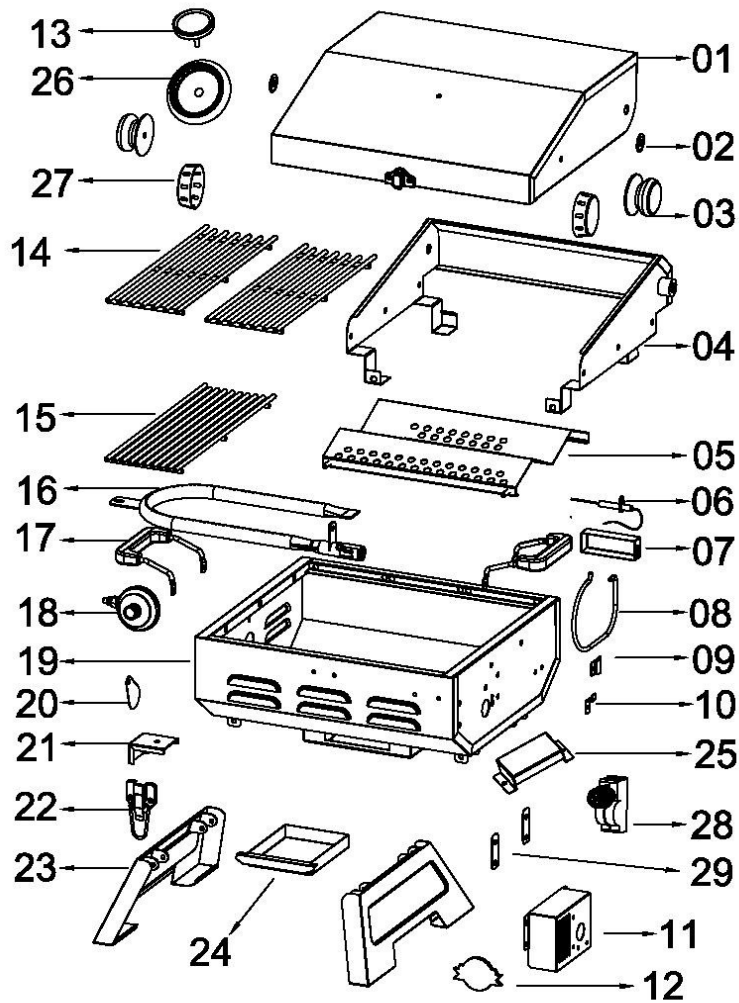
**Advertisement: Grill Accessory**



Introducing the ISLAND GRILLSTONE™ Check out this fabulous new way to enhance your cooking! Quarried from natural volcanic rock and then cut into slabs, it is the ideal accessory for grilling veggies, seafood, or marinated meats. Drops right onto your grill! Rectangular size: 7" x 12"



## Parts List & Exploded View



### JVS-75 Portable Grill

| Part Number | Part Description | Qty.                       | Part Number | Part Description | Qty.   |                               |   |
|-------------|------------------|----------------------------|-------------|------------------|--------|-------------------------------|---|
| 01          | JH-158           | Outer Hood                 | 1           | 16               | JB-08  | Main Burner                   | 1 |
| 02          | JZ-53            | Washer: Lid Pivot Screw    | 2           | 17               | JH-177 | Firebox Handles               | 2 |
| 03          | JH-88            | Lid Handle Knobs           | 2           | 18               | JF-146 | Portable Regulator JVS75      | 1 |
| 04          | JH-159           | Inner Hood                 | 1           | 19               | JH-166 | Firebox Tub                   | 1 |
| 05          | JD-13            | Flame Diffuser             | 1           | 20               | JH-174 | Match Light Access Cover      | 1 |
| 06          | JE-33            | Ignition Electrode         | 1           | 21               | JH-170 | Bracket: burner Mount         | 1 |
| 07          | JE-32            | Collector Box              | 1           | 22               | JH-175 | Hood Latch                    | 1 |
| 08          | JH-162           | Tank Support Wire          | 1           | 23               | JC-108 | SS Fold Down Legs             | 2 |
| 09          | JH-163           | Tank Support Hinge         | 1           | 24               | JH-171 | Grease Cup                    | 1 |
| 10          | JH-164           | Tank Support Retainer      | 1           | 25               | JH-178 | Shield: Grease Drain Hole     | 1 |
| 11          | JH-165           | Control Box                | 1           | 26               | JT-13  | Bezel                         | 1 |
| 12          | JH-02            | Jackson Logo               | 1           | 27               | JH-176 | Lid Handle Spacers            | 2 |
| 13          | JT-12            | Thermometer                | 1           | 28               | JE-03  | Ign. Module: 1 Pole Versa AAA | 1 |
| 14          | JG-24            | Cook Grate (Wide Spaced)   | 2           | 29               | JH-180 | Gasket: Control Box           | 2 |
| 15          | JG-25            | Cook Grate (Narrow Spaced) | 1           |                  | JC-109 | *OPTIONAL levelling legs      | 4 |

\*Not included, optional accessory

---

# Limited Lifetime Warranty:

---

## MODEL: Versa JVS75 Portable Grill

Jackson Grills warrants the following materials and workmanship to be free of defects for as long as you own the grill subject to the conditions below:

**First 5 years:** (from date of purchase) Jackson Grills will replace or repair (at our option) any defective part in the list below at no charge. From **year 6 to lifetime**, any defective part in the list below will be replaced or repaired (at our option) at 50% of the current retail price:

- Stainless Steel Burner
- Stainless Steel inner & outer hood
- Firebox
- Flame diffusers
- Stainless steel cooking grids

**2 Year Warranty:** (from date of purchase); Jackson Grills will replace or repair (at our option), any defective part from the list below, at no charge. Labor Charges incurred are not covered.

- Thermometer
- Igniter and electrode
- Handles
- Fasteners
- Accessory parts (excluding covers)
- LP hose and regulator (optional part)
- NG Hose and Quick Release fitting (optional part)
- LP/NG Valves (optional part)

**1 Year Warranty:** (from date of purchase); Jackson Grills will replace or repair (at our option), any defective part from the list below, at no charge. Labor Charges incurred are not covered.

- LP gas regulator for 1 lb. canisters

## Limited Warranty Subject to the following Conditions & Limitations:

**(NOTE: Shipping and Labor Charges are NOT covered)**

- The bill of sale (proof of original ownership) and serial number will be required in order to claim warranty from your authorized dealer. The warranty registration card must be returned within 30 days to register your warranty.
- This factory warranty is non-transferable and may not be extended under any circumstances.
- Jackson Grills warrants its products to the original purchaser only (NO EXCEPTIONS)
- This Limited Warranty does not cover any damage caused by misuse, lack of maintenance, hostile environments, accident, alterations, abuse or neglect, including scratches, dents, corrosion, discoloring by heat (discoloring is normal), & abrasive or chemical damage resulting from use of harsh cleaners.
- Should deterioration occur to the point of non-performance within the duration of the warranted coverage, a replacement will be provided in the first year only. This warranty extends to the repair or replacement of warranted parts that are defective in materials or workmanship provided that the product has been operated in accordance with the operation instructions and under normal conditions.
- After the first year Jackson Grills reserves the right to fully disengage all obligations of this Warranty by refunding the original warranted purchaser the original wholesale price of the warranted parts.
- A licensed, authorized, service technician or contractor must install the gas grill.
- Genuine Jackson parts must always be used; use of parts supplied by other manufacturers will nullify the warranty.
- The installation must be done in accordance with the installation procedures described in the included owner's manual.
- Jackson Grills or its parties will not be responsible for the installation, labor or any other costs or expenses related to the refitting of the warranted part, and such expenses are not covered by this warranty.
- Notwithstanding any provision contained in this Limited Warranty, Jackson Grills responsibility under this warranty is defined as above and it shall not in any event extend to any incidental, consequential, or indirect damages.
- Jackson Grills neither assumes, nor authorizes any third party to assume, on its behalf, any other liabilities with respect to the sale of this product.
- Jackson Grills reserves the right to inspect any parts prior to approving warranty claim.
- Jackson Grills or its representatives shall not be liable for ANY expenses arising from labor, shipping, or customs duty costs.



The ultimate outdoor grilling experience.

Phone: 1 (888) 287-3333 ♦ Fax: 1 (877) 855-5373 ♦ #106-2480 Mt. Lehman Road, Abbotsford, BC V4X 2N3

# MANUEL D'UTILISATION pour Versa 75



**Pour le modèle portatif :**  
**JVS75-LP** (Propane liquide)

## **Avis important**

Veuillez lire TOUTES les consignes de sécurité à la page 14-15 avant d'assembler ou d'utiliser ce barbecue.



5008092

# **!AVERTISSEMENTS DE SÉCURITÉ!**

## **LA SÉCURITÉ AVANT TOUT :**

Ce manuel d'instructions contient des informations importantes et nécessaires au bon assemblage et à l'utilisation sécuritaire de l'appareil. Veuillez lire, comprendre et respecter tous les avertissements et précautions avant d'utiliser votre barbecue à gaz. Respectez tous les avertissements et les consignes lorsque vous utilisez l'appareil. Veuillez conserver ce manuel pour consultation ultérieure.



### **!DANGER!**

**Si vous sentez une odeur de gaz :**

- 5. Fermez l'arrivée de gaz de l'appareil.**
- 6. Éteignez toute flamme nue.**
- 7. Ouvrez le couvercle.**
- 8. Si l'odeur persiste, éloignez-vous de l'appareil et appelez immédiatement le fournisseur de gaz ou les pompiers.**

**Le non respect de ces consignes pourrait entraîner un incendie ou une explosion, ce qui pourrait causer des dommages matériels, des blessures ou la mort.**




### **!DANGER!**

- 4. Ne faites jamais fonctionner cet appareil sans surveillance.**
- 5. N'utilisez jamais cet appareil à moins de 25 pieds (7,5 m) de tout liquide inflammable.**
- 6. En cas d'incendie, éloignez-vous de l'appareil et appelez immédiatement le service des incendies. N'essayez pas d'éteindre un feu d'huile ou de graisse avec de l'eau.**

**Le non respect de ces consignes pourrait entraîner un incendie ou une explosion, ce qui pourrait causer des dommages matériels, des blessures ou la mort.**

- 1 Ce barbecue est destiné à un usage extérieur seulement et ne doit pas être utilisé dans un bâtiment, un garage, un endroit fermé ou un véhicule.
- 2 Ce barbecue a été créé par l'usine pour qu'il soit utilisé avec du gaz propane (LP). (Bouteille/réservoir de propane non inclus).
- 3 N'utilisez pas d'essence, d'alcool ou d'autres substances volatiles pour l'allumage!
- 4 Les bouteilles de propane (LP) d'alimentation en gaz doivent être fabriquées et étiquetées conformément aux spécifications relatives aux bouteilles de gaz propane du ministère américain des transports (DOT) CFR 49 ou aux normes nationales du Canada, CAN/CSA B339, relatives aux cylindres, sphères et tubes pour le transport des matières dangereuses.
- 5 Ouvrez toujours le couvercle du barbecue lentement et soigneusement, car la chaleur et la vapeur dans le barbecue peuvent causer des brûlures graves.
- 6 Installez toujours le barbecue sur une surface dure et plane, à l'écart des matériaux combustibles. Consultez la page 5 pour obtenir des renseignements.
- 7 N'essayez pas de déplacer le barbecue pendant qu'il est allumé
- 8 Ne laissez pas le barbecue allumé sans surveillance. Gardez les enfants et les animaux loin de ce barbecue en tout temps.
- 9 N'utilisez pas ce barbecue à moins qu'il soit COMPLÈTEMENT assemblé et que toutes les pièces soient solidement installées.
- 10 Afin d'empêcher le propane liquide de pénétrer dans le robinet de régulation et de causer un éventuel danger, veuillez vous assurer que la bouteille de propane est à un niveau inférieur à celui du robinet de régulation ou du régulateur lors de l'utilisation.

- 11 Les lieux d'utilisation du barbecue doivent être tenus propres et exempts de matériaux combustibles, d'essence ou de tout gaz ou liquide inflammable.
- 12 N'utilisez PAS ce barbecue sur une surface combustible, comme une table en bois.
- 13 Ne modifiez pas ce barbecue de quelque façon que ce soit.
- 14 Ne touchez pas les surfaces métalliques sur le barbecue jusqu'à ce qu'elles soient complètement refroidies pour éviter les brûlures, à moins de porter un équipement de protection. (poignées, gants, mitaines pour barbecue, etc.)
- 15 Il est essentiel de tenir le compartiment du robinet, les brûleurs et les passages d'air en circulation propres et exempts d'obstructions et de débris. Inspectez le barbecue avant chaque utilisation.
- 16 N'entreposez pas de bouteilles de propane de rechange à moins de 10 pieds de ce barbecue portatif.
- 17 Veuillez noter que le propane (LP) est explosif sous pression, qu'il est plus lourd que l'air, et qu'il se dépose et s'accumule dans les zones basses, ce qui peut créer un risque d'explosion.
- 18 Le contact avec le gaz propane peut causer des brûlures de congélation sur la peau.
- 19 Les bouteilles de propane bosselées et rouillées peuvent être dangereuses et doivent être vérifiées par un fournisseur de gaz propane, avant de les utiliser.
- 20 Tenez les cordons d'alimentation électrique loin des surfaces chauffées.
- 21 Cet appareil n'est pas destiné à un usage commercial.
- 22  **DANGER** - Ne rangez pas ou ne déplacez pas le barbecue immédiatement après l'utilisation. Laissez le barbecue refroidir au toucher avant de le déplacer ou de le ranger. Le non respect de cette consigne peut entraîner un incendie et causer des dommages matériels, des blessures ou la mort.



**AVERTISSEMENT:** Ce produit peut vous exposer à des produits chimiques, y compris le chrome (composés hexavalents), qui sont reconnus par l'État de Californie pour causer le cancer et des anomalies congénitales ou d'autres problèmes de reproduction. (Pour plus d'informations, visitez: [www.P65Warnings.ca.gov](http://www.P65Warnings.ca.gov))

**!AVERTISSEMENT!**

**Le non-respect de toute instruction du fabricant peut entraîner des blessures graves ou des dommages matériels.**

---

## CERTIFICATION ET ESSAIS :

---

Cet appareil a été mis à l'essai par Intertek Listed, et a été testé selon la norme ANSI Z21.89-2013/CSA 1. 118-2013 Outdoor Cooking Specialty, et certifié pour le Canada et les États-Unis.

REMARQUE : L'utilisation et l'installation de ce produit doivent être conformes aux codes locaux. Le National Fuel Gas Code, les normes ANSI Z223.1/NFPA 54, Storage and Handling of Liquefied Petroleum Gases, ANSI/NFPA 58; ou le Natural Gas and Propane Installation Code, CSA B149.1; Propane Storage and Handling, CSA B149.2; ou le Standard for Recreational Vehicles, ANSI A119.2/NFPA 1192; et le Recreational Vehicle Code, CSA Z240 RV Series, selon ce qui s'applique. Si une source électrique externe est utilisée, l'appareil, une fois installé, doit être mis à la terre conformément aux codes locaux ou, en l'absence de codes locaux, au Code national de l'électricité, ANSI/NFPA 70, ou au Code canadien de l'électricité, CSA C22.1.

---

# Documentation sur les accessoires facultatifs

---

Si vous achetez un accessoire, veuillez inscrire le code sur la plaque signalétique au dos du pied en acier inoxydable :

MODEL  
MODELE

JVS75 -

| Pression (kPa) | Nombre de STH et de BTU/H | Différence                               | Code : indication sur la plaque signalétique : |
|----------------|---------------------------|--|--|
| 2,96           | No 66 BTU8500             | Vanne de régulation GDA (KR101) (JF-146) |  |
| 3,56           | No 66 BTU8500             | Vanne de régulation KSUN (RY0506)        | 2  |
| 2,74           | No 66 BTU8500             | Vanne en cuivre LP (JPGVANNE)            | 3  |
| 1,74           | No 56 BTU8500             | Vanne en cuivre LP (JPGVANNE+ TUYAU NG)  | 4  |

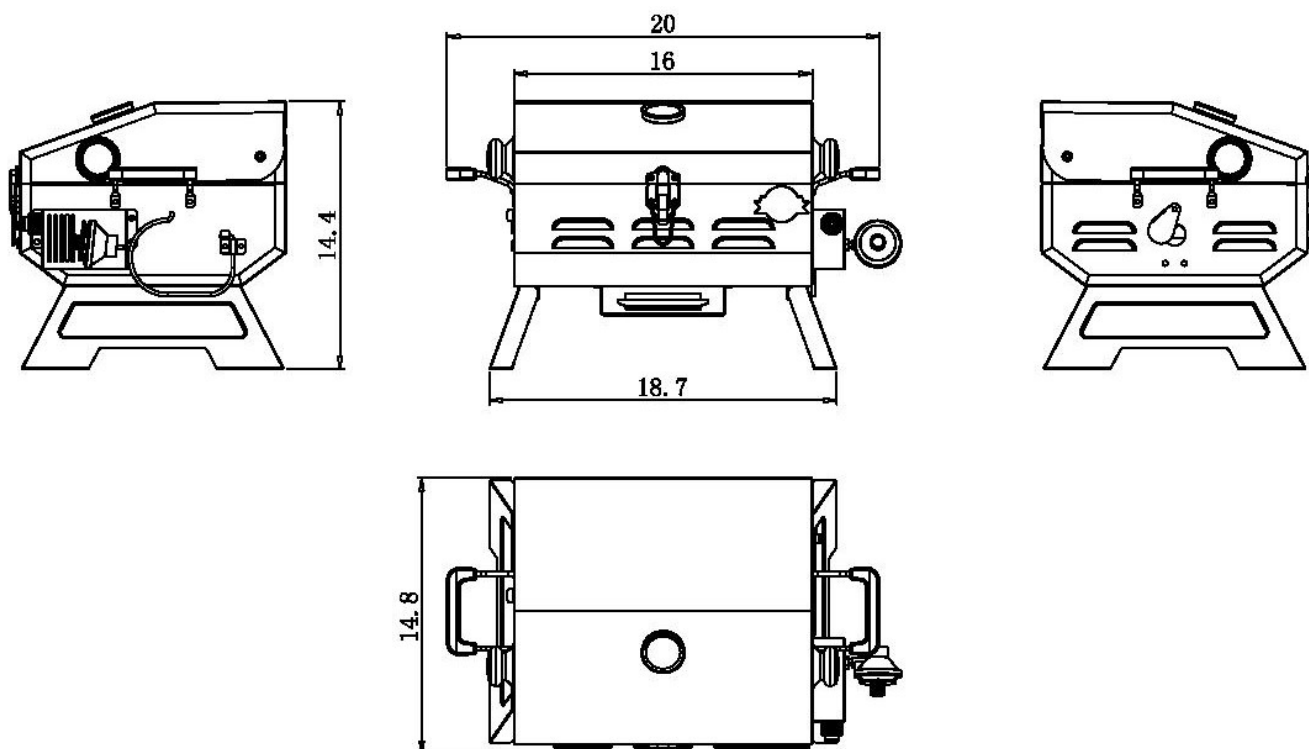
---

## TABLE DES MATIÈRES :

---

|   |       |
|---|-------|
| Avertissements de sécurité :                                      | 14-15 |
| Certification et essais :   | 15    |
| Documentation sur les accessoires facultatifs :                   | 16    |
| Table des matières :  | 16    |
| Dimensions :  | 17    |
| Dégagements par rapport aux combustibles :                        | 17    |
| Déballage de votre barbecue :                                     | 17-18 |
| Message spécial aux propriétaires et enregistrement de garantie : | 19    |
| Outils requis pour l'assemblage :                                 | 20    |
| Assemblage et Préparation du barbecue :                           | 20-21 |
| Instructions d'allumage   | 21-22 |
| Nettoyage et entretien :  | 22-23 |
| Liste des pièces et vue éclatée :                                 | 24    |
| Garantie à vie limitée :  | 25    |






---

## DIMENSIONS DÉGAGEMENTS PAR RAPPORT AUX COMBUSTIBLES

---

- A) Dessus :** Cet appareil ne doit pas être situé ou utilisé sous une construction combustible non protégée au-dessus des têtes.
- B) Dessous :** du fond du boîtier du plateau à graisse de la chambre de combustion aux surfaces combustibles : **3 po (7,62 cm) minimum**
- C) Côté/arrière :** des côtés et de l'arrière de l'appareil à la construction combustible : **12 po (30,48 cm) minimum**

Remarque : Ces dégagements sont des distances pour éviter la combustion. Il ne s'agit pas de dégagements pour le gauchissement, la décoloration, la fonte, etc. Veuillez faire preuve de prudence et de jugement lors de l'utilisation à proximité d'un matériau combustible.

---

## DÉBALLAGE DE VOTRE BARBECUE

---

Veuillez ouvrir votre emballage avec précaution et mettre de côté toutes les pièces détachées. Une fois que vous avez déballé votre barbecue, faites correspondre les pièces à la liste ci-dessous. La plus grande partie de votre barbecue portable a été montée en usine. Cependant, il y a encore quelques éléments qui doivent être déballés et placés dans la position appropriée dans votre barbecue. Vous trouverez les instructions d'assemblage à la rubrique « Assemblage et préparation de votre barbecue » (p. 20).

### **!AVERTISSEMENT!**

**Faites preuve de prudence lors de la manipulation de l'acier inoxydable; les bords métalliques peuvent être tranchants et peuvent causer des blessures.**

## **SOURCE DE CARBURANT :**

Ce barbecue est conçu pour fonctionner avec une bouteille de propane (LP) (bouteille DOT-39) d'une livre à usage unique de 7 3/8 po de hauteur/16,4 oz. de propane (LP). **NE TENTEZ PAS DE REMPLIR LES BOUTEILLES DE PROPANE À USAGE UNIQUE.**

Toutes les bouteilles de gaz propane devant être utilisées doivent être construites et marquées conformément aux Normes nationales du Canada, CAN/CSA-B339, relative aux cylindres, sphères et tubes pour le transport des matières dangereuses. Seules les bouteilles portant l'inscription « Propane » peuvent être utilisées.

La bouteille de gaz propane ne doit pas être échappée ou manipulée brusquement. La bouteille de gaz doit être débranchée lorsque l'appareil n'est pas utilisé. L'entreposage de ce gril portatif n'est permis que si la bouteille de propane est débranchée et retirée de l'appareil. Les bouteilles doivent être entreposées à l'extérieur hors de la portée des enfants et ne doivent pas être entreposées dans un bâtiment, un garage ou tout autre endroit fermé.

Votre bouteille ne doit pas être entreposée dans un endroit où la température peut atteindre plus de 125 degrés F. Avant le raccordement, assurez-vous qu'il n'y a pas de débris pris dans la tête de la bouteille de gaz, dans la tête du robinet de régulation ou dans la tête ou les orifices du brûleur.

## **LISTE DE CONTRÔLE DES PIÈCES :**

- 1 Boîte de combustion complète
- 2 Poignées
- 2 Boutons de poignée
- 2 Entretoises de la poignée du couvercle
- 1 Pile AAA pour le module d'allumage
- 1 Régulateur de propane (pour bouteilles Primus)
- 1 Diffuseur
- 3 Grille de cuisson (2 à espaces larges, 1 à espace mince)
- 1 Godet du bac d'égouttement/ à graisse
- 2 Pieds en acier inoxydable
- 1 Guide d'utilisation



---

## Un message spécial à nos clients :

---

Toute l'équipe de Jackson vous remercie d'avoir choisi un barbecue Jackson! Cet appareil a été conçu et fabriqué avec des composants de qualité qui vous fourniront des années d'excellent fonctionnement, nous en sommes convaincus.

Veuillez lire ce manuel au complet pour connaître et comprendre toutes les caractéristiques du barbecue Jackson Grill. En plus des instructions d'utilisation, ce manuel donne des consignes de sécurité importantes. Veuillez noter le numéro de série de votre barbecue dans l'espace ci-dessous, et veillez à ce que ce manuel demeure à proximité du barbecue pour une référence rapide.

Pour obtenir des pièces de rechange pour votre Jackson Grill, prenez contact votre revendeur local. Si vous avez des questions, veuillez nous contacter au numéro indiqué ci-dessous : (Veuillez avoir les numéros de modèle et de série de votre appareil à portée de main.)

**Numéro de modèle du barbecue : Barbecue portatif JVS75**

**\* Numéro de série :** \_\_\_\_\_

\*Notez votre numéro de série ici pour référence future.

INSCRIPTION DU PROPRIÉTAIRE : Veuillez prendre le temps de remplir et de retourner une Carte de garantie, vous pouvez également la remplir en ligne à [www.jacksongrills.com](http://www.jacksongrills.com) ou simplement remplir le formulaire ci-dessous et l'envoyer par la poste ou par télécopieur à :

**Jackson Grills**  
**#106-2480 Mt. Lehman Rd.**  
**Abbotsford, BC.**  
**Canada V4X 2N3**  
**détaillant**

**Soutien au client (Tél.) : 1 888 287-3333 ou**  
**Soutien au client (courriel) : [info@jacksongrills.com](mailto:info@jacksongrills.com)**  
**Télécopieur : 1 877 855-5373**  
**Commande de pièces : Prenez contact avec votre**

---

**Veuillez remplir le formulaire et le retourner dans un délai de 10 jours. Merci!**

Titre : M. Mme Mlle (encerclez un titre)

Prénom :

Nom de famille :

Initiale :

Rue :

App. n° :

Ville :

Prov. :

Code postal :

Téléphone :

Courriel :

Date d'achat :

Détaillant :

Modèle :

Numéro de série :

Commentaires :

---

*Merci de prendre le temps de remplir cette d'enregistrement de garantie.*

**Cher propriétaire du barbecue; veuillez conserver ce manuel pour référence future.**

## Outils requis pour l'assemblage :

- 1 x tournevis Phillips no 2
- 1 x petite clé anglaise

- Veuillez vous assurer que tous les composants ont été fournis avec cet appareil avant l'assemblage ou l'utilisation.
- Veuillez enlever tous les matériaux d'emballage avant d'utiliser ce barbecue portatif.

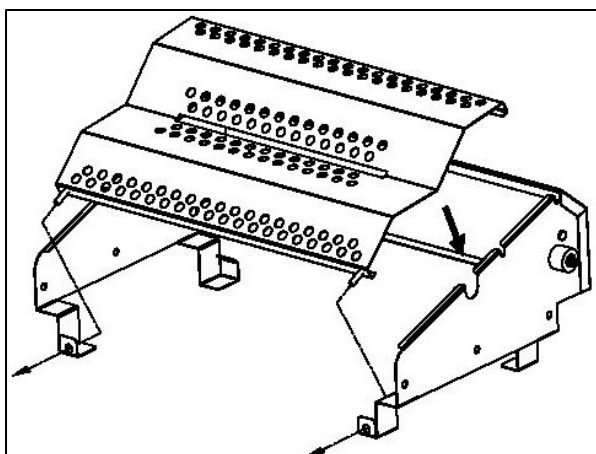
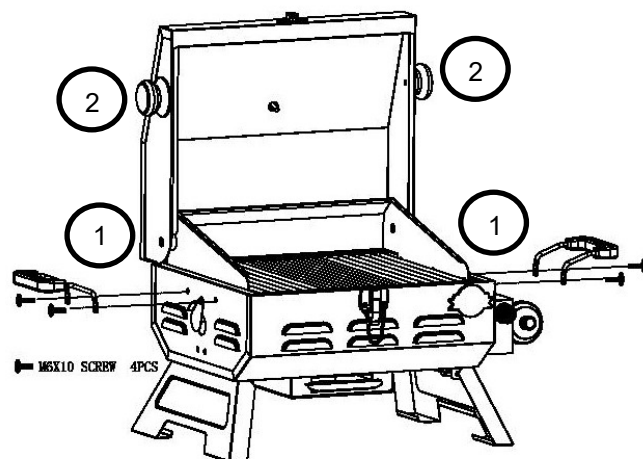
## Assemblage et préparation du barbecue :

### ÉTAPE 1 :

Installez les poignées de la chambre de combustion en les vissant aux côtés du barbecue. Tête comme indiqué à droite :

### ÉTAPE 2 :

Installez les poignées noires du couvercle en ouvrant le capot et en plaçant les Entretoises des poignées (le côté large vers le bas) sur les trous de fixation de la poignée. Placez la poignée sur l'entretoise de la poignée et vissez les boulons à partir de la face intérieure du capot. Ne serrez pas trop fort et veillez à ne pas fausser le filetage des boulons dans la poignée.



### ÉTAPE 3 :

Insérez le diffuseur dans les trous situés au fond de la cuve intérieure du barbecue. (Gauche)

### ÉTAPE 4 :

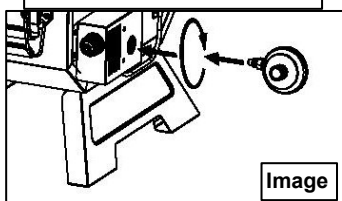
Insérez les grilles dans les trous de soutien (3 grilles, 12 trous).

### ÉTAPE 5 :

Placez l'appareil en position verticale et vissez le régulateur portable (image 1). Ne serrez pas trop fort. Lubrifiez le filetage du détendeur avec de la gelée de pétrole ou de la graisse. Insérez une bouteille de gaz de 1 lb dans le détendeur et serrez fermement à la main. Débranchez la bouteille de gaz lorsque vous

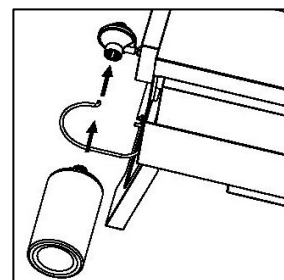
n'utilisez pas l'appareil. N'obstruez PAS le flux d'air de combustion et de ventilation vers ce barbecue portatif.

Vissez l'écrou en laiton du régulateur sur le côté du boîtier de commande.



### **!AVERTISSEMENT!**

Utilisez **UNIQUEMENT** le régulateur fourni avec ce barbecue. Utilisez **UNIQUEMENT** des pièces de rechange Jackson autorisées.



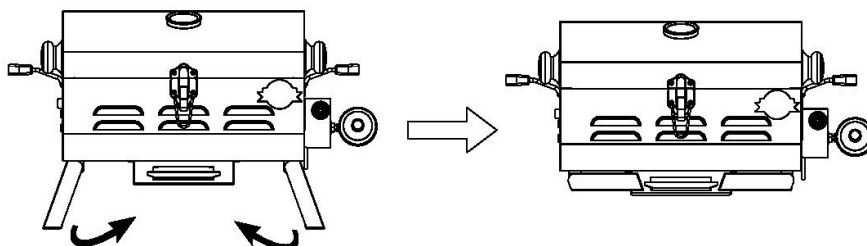
#### ÉTAPE 4 :

Installez la pile fournie dans le module d'allumage. Pour ce faire, dévissez le bouton noir de l'allumeur (capuchon) en le tournant dans le sens inverse des aiguilles d'une montre. L'allumeur ne fonctionne que si la pile est installée dans le bon sens.



#### ÉTAPE 5 :

Les pieds se replient pour faciliter le rangement :



#### CONSEIL TECHNIQUE

Ne serrez pas trop l'écrou en laiton car il peut se fissurer ou se briser; un peu plus serré qu'un serrage à la main est suffisant.

## INSTRUCTIONS D'ALLUMAGE

1. Tout d'abord, installez une nouvelle bouteille de propane de 1 lb. Serrez d'une main tout en soutenant le régulateur dans l'autre. Lors de la première mise en marche du régulateur, vérifiez la présence de fuites au niveau du joint entre la bouteille et le régulateur.

Pour détecter les fuites de gaz, vous aurez besoin de : Un flacon pulvérisateur, une brosse ou un chiffon et une solution d'eau et de savon (vous pouvez acheter une solution de contrôle des fuites ou faire votre propre solution en mélangeant 20 % de savon liquide et 80 % d'eau).

Assurez-vous que le dispositif de commande du brûleur est éteint. N'allumez PAS le brûleur lors de la vérification des fuites. Pour vérifier la présence de fuites, mouillez les raccords avec la solution d'eau et de savon à l'aide d'un vaporisateur, d'un pinceau ou d'un chiffon. Si des bulles se forment, ou si une bulle se dilate, cela signifie qu'il y a une fuite. Appliquez la solution d'eau et de savon sur le branchement du détendeur au cylindre. Si des bulles se forment, cela signifie qu'il y a une fuite au niveau du branchement. Retirez la bouteille de propane et N'UTILISEZ PAS LE BARBECUE. Si la fuite persiste après l'installation d'une autre bouteille de propane, NE FAITES PAS FONCTIONNER LE BARBECUE. Contactez votre détaillant Jackson Grills local pour l'entretien. Appliquez la solution d'eau et de savon sur le branchement du robinet au régulateur. S'il y a une fuite au branchement, retirez la bouteille de propane et N'UTILISEZ PAS LE BARBECUE. Contactez votre détaillant Jackson Grills local pour l'entretien. Une fois le dépannage de fuites terminé, rincez les branchements avec de l'eau.

2. Veillez à ce que les pieds soient complètement déployés et assurez-vous de maintenir un dégagement minimal par rapport aux combustibles.
3. Ouvrez le capot avant d'allumer le barbecue portatif. Assurez-vous que le flux d'air vers le barbecue n'est pas obstrué. Les araignées et les insectes peuvent faire leur nid à l'intérieur du brûleur et boucher le brûleur, le tube de Venturi et l'orifice de gaz. Nettoyez les orifices du brûleur à l'aide d'une brosse métallique rigide, d'un trombone ou d'un cure-pipe rigide.
4. Tournez la soupape du régulateur au réglage le plus élevé (image 3) et appuyez sur le bouton d'allumage jusqu'à ce que le brûleur s'allume (image 4). Une fois l'appareil allumé, observez la flamme du brûleur, assurez-vous que tous les orifices du brûleur sont allumés et que la flamme est constante et que sa hauteur n'est pas supérieure à 2 po.

**Image 3:**  
Détendeur  
Position  
d'allumage



**Image 4: Dispositif**





4. Si le brûleur ne s'allume pas dans les 4 secondes suivant le déclenchement, faites tourner le régulateur en position ARRÊT (gauche) et attendez 5 minutes que le gaz se dissipe avant de réessayer.

5. Si la flamme du brûleur s'éteint pendant que l'appareil fonctionne, éteignez immédiatement l'appareil, ouvrez le couvercle pour évacuer le gaz.

**REMARQUE :** Faites fonctionner le barbecue pour la première fois pendant environ 15 minutes avant de l'utiliser pour cuire des aliments. Cela brûlera tous les résidus du processus d'assemblage.

### CONSEIL TECHNIQUE

Utilisez **UNIQUEMENT** des bouteilles de propane à usage unique de 1 lb.

---

## NETTOYAGE ET ENTRETIEN

---

### ATTENTION :

- La plupart des tâches de nettoyage et d'entretien doivent être effectuées lorsque l'appareil est complètement froid.
- Faites brûler le barbecue à température élevée pendant environ 5 minutes après chaque utilisation afin d'éviter l'accumulation de résidus alimentaires excessifs. Cependant, cela ne remplace en aucun cas un nettoyage en profondeur.

### Système de gestion des graisses :

- Votre barbecue est équipé d'un bac à graisse à l'arrière de l'appareil. Ce bac doit être bien nettoyé après chaque utilisation et avant de transporter le barbecue.
- Comme la conception du fond intérieur du barbecue favorise l'écoulement des graisses et des huiles dans ce bac, le fond du barbecue doit être raclé et nettoyé régulièrement pour que le système fonctionne comme prévu.
- Une petite quantité de sable peut être ajoutée à la cuvette de graisse pour un effet absorbant.

### Nettoyage de la surface de cuisson :

- Le nettoyage de la surface de cuisson après chaque utilisation permet d'éviter l'accumulation de résidus sur la surface de cuisson.
- La surface de cuisson peut être lavée plus soigneusement en nettoyant avec de l'eau chaude savonneuse et un tampon à récurer Scotch Brite. Rincez avec de l'eau chaude propre.

### Nettoyage des surfaces extérieures :

- Utilisez un savon à vaisselle doux et de l'eau chaude pour nettoyer l'extérieur du barbecue.
- N'utilisez pas de nettoyants abrasifs, de tampons à récurer, de dégraissants puissants, etc. sur cet appareil car cela rayera la surface extérieure du barbecue portatif.

### CONSEIL TECHNIQUE

Certains produits de nettoyage peuvent enlever les étiquettes sur écran de soie sur la console; faites preuve de prudence lors de l'application.

### CONSEIL TECHNIQUE

Lors du nettoyage de salissures tenaces, polissez ou frottez toujours dans le sens du grain de l'acier inoxydable.

- Si vous utilisez le nettoyant Jackson en acier inoxydable pour éliminer toute corrosion sur la surface, assurez-vous de nettoyer dans le sens du grain de la finition afin de ne pas faire des remous dans l'acier inoxydable, ce produit est légèrement abrasif et doit être appliqué avec un chiffon doux.
- Rincez toujours avec de l'eau chaude propre.

- Utilisez un aérosol pour nettoyer l'extérieur en acier inoxydable, cela lui redonnera de la brillance et aidera à le protéger des contaminants de surface et de la corrosion.

### **Entretien de la boîte de combustion intérieure**

- Retirez la grille de cuisson, le diffuseur de flamme et le brûleur du barbecue.
- Enlevez les excès de résidus à l'aide d'un grattoir ou d'un tampon nettoyeur.
- Vaporisez l'intérieur du foyer avec un dégraissant pour four et laissez reposer 5 minutes.
- Utilisez une brosse à dents pour assouplir les résidus de graisse et de nourriture. Rincez avec de l'eau chaude propre.
- Essuyez la boîte de combustion avec un essuie-tout ou un chiffon.

### **REMARQUE :**

- Assurez-vous que tous les dégraissants et autres nettoyants pour four sont essuyés et rincez à l'eau chaude propre. Aérez ensuite le barbecue en laissant le couvercle ouvert pendant 15 minutes avant de l'utiliser.

### **Entretien du brûleur :**

- Nettoyez la surface extérieure du brûleur à l'aide d'une brosse rigide en laiton ou en acier inoxydable.
- Assurez-vous que tous les trous du brûleur sont exempts d'obstacles en perçant les trous à l'aide d'un grand trombone redressé. Ceci est **extrêmement important** pour prolonger la durée de vie du brûleur en acier inoxydable.
- Enfin, éliminez les débris et les résidus à l'intérieur du brûleur. (Les nids d'araignées sont un contaminant courant).

### **Entretien des diffuseurs de flamme :**

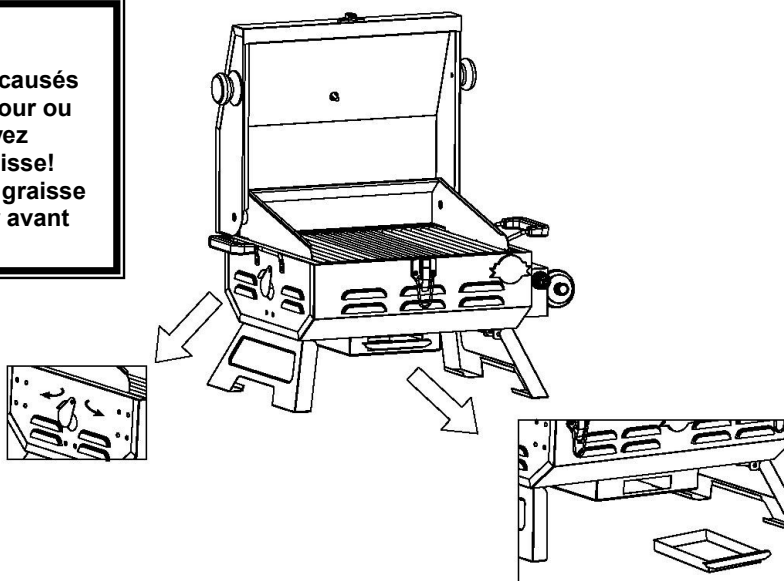
- Enlevez les résidus et les gros morceaux de nourriture en utilisant une brosse, un grattoir ou un tampon nettoyeur après chaque utilisation.
- Si vous le désirez, vous pouvez utiliser des nettoyants pour le nettoyage final; puis rincez à l'eau chaude propre.
- Cela réduira les poussées de flamme et évitera les défaillances prématurées.

### **!AVERTISSEMENT!**

Les feux de graisse sont généralement causés par un excès de graisse laissé dans le four ou dans le godet du bac à graisse. Nettoyez régulièrement les accumulations de graisse! N'oubliez pas de nettoyer votre godet à graisse régulièrement et de toujours le nettoyer avant de transporter le barbecue.

### **CONSEIL TECHNIQUE**

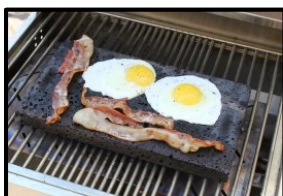
Bon nombre de nettoyants peuvent être caustiques, utilisez donc de l'eau chaude savonneuse suivie d'un rinçage avec de l'eau chaude propre pour un nettoyage final.



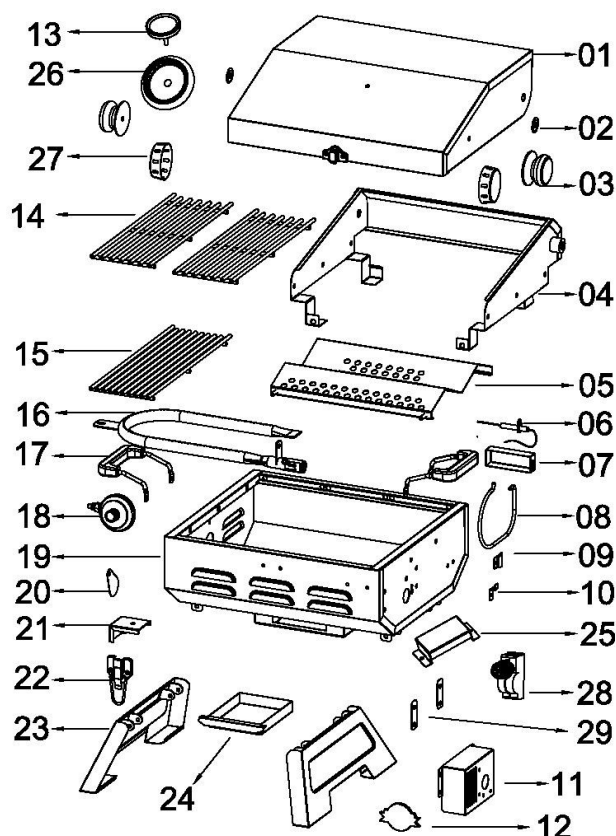
Publicité : Accessoire pour barbecue



Présentation de la pierre gril ISLAND GRILLSTONE™ Découvrez cette nouvelle façon fabuleuse d'avoir encore plus de plaisir à cuisiner! Extrait à partir de roche volcanique naturelle, puis coupée en tranches, elle est l'accessoire idéal pour faire griller les légumes, les fruits de mer, ou des viandes marinées. Correspond parfaitement à votre barbecue! Dimensions rectangulaires : 7 po x 12 po



## Liste des pièces et vue éclatée



### Barbecue portatif JVS-75

| Numéro de la pièce | Description de la pièce | Qté.                                     | Numéro de la pièce | Description de la pièce | Qté.   |  |   |
|--------------------|-------------------------|--|--------------------|-------------------------|--------|--|---|
| 01                 | JH-158                  | Capot extérieur                          | 1                  | 16                      | JB-08  | Brûleur principal                            | 1 |
| 02                 | JZ-53                   | Rondelle : Vis du pivot du capot         | 2                  | 17                      | JH-177 | Poignées de la boîte de combustion           | 2 |
| 03                 | JH-88                   | Boutons de la poignée du couvercle       | 2                  | 18                      | JF-146 | Régulateur portatif JVS75                    | 1 |
| 04                 | JH-159                  | Couvercle intérieur                      | 1                  | 19                      | JH-166 | Récipient de la boîte de combustion          | 1 |
| 05                 | JD-13                   | Diffuseur de flamme                      | 1                  | 20                      | JH-174 | Couvercle d'accès au pilote d'allumage       | 1 |
| 06                 | JE-33                   | Électrode d'allumage                     | 1                  | 21                      | JH-170 | Support : fixation du brûleur                | 1 |
| 07                 | JE-32                   | Boîte de collection                      | 1                  | 22                      | JH-175 | Loquet du capot                              | 1 |
| 08                 | JH-162                  | Câble de support de la bouteille         | 1                  | 23                      | JC-108 | Pieds repliables en acier inoxydable         | 2 |
| 09                 | JH-163                  | Charnière de support de la bouteille     | 1                  | 24                      | JH-171 | Godet du bac à graisse                       | 1 |
| 10                 | JH-164                  | Bague d'arrêt de support de la bouteille | 1                  | 25                      | JH-178 | Protecteur : Trou d'évacuation de la graisse | 1 |
| 11                 | JH-165                  | Boîtier de commandes                     | 1                  | 26                      | JT-13  | Collerette                                   | 1 |
| 12                 | JH-02                   | Logo de Jackson                          | 1                  | 27                      | JH-176 | Entretoises de la poignée du couvercle       | 2 |
| 13                 | JT-12                   | Thermomètre                              | 1                  | 28                      | JE-03  | Module d'allumage : 1 pile Versa AAA         | 1 |
| 14                 | JG-24                   | Grille de cuisson (espace large)         | 2                  | 29                      | JH-180 | Joint d'étanchéité : Boîtier de commandes    | 2 |
| 15                 | JG-25                   | Grille de cuisson (espace mince)         | 1                  |                         | JC-109 | *Pieds de nivellement<br>FACULTATIFS         | 4 |

\*Non compris, accessoire facultatif



---

# Garantie à vie limitée :

---

## MODÈLE : Barbecue Versa portatif JVS75

Jackson Grills garantit que les items suivants sont exempts de tout défaut de pièces et de fabrication, tant et aussi longtemps que vous êtes propriétaire du barbecue, et ce sous réserve des conditions suivantes :

**Les 5 premières années :** (à partir de la date d'achat) Jackson Grills remplacera ou réparera (à sa discrétion) toute pièce défectueuse indiquée dans la liste ci-dessous, sans frais. À compter de la **6<sup>e</sup> année et pendant toute la durée de vie de l'unité**, toute pièce défectueuse indiquée dans la liste ci-dessous sera réparée ou remplacée (à la discrétion de Jackson Grills) à concurrence de 50 % du prix de vente courant :

- Brûleur en acier inoxydable
- Couvercle intérieur et extérieur en acier inoxydable
- Chambre de cuisson
- Diffuseurs de flamme
- Grilles de cuisson en acier inoxydable

**2 ans de garantie :** (à partir de la date d'achat); Jackson Grills remplacera ou réparera (à sa discrétion), toute pièce défectueuse dans la liste indiquée ci-dessous, sans frais. Les frais de main-d'œuvre encourus ne sont pas couverts.

- Thermomètre
- Allumeur et électrode
- Poignées
- Fixations
- Pièces accessoires (à l'exclusion des couvercles)
- Tuyau LP et régulateur (pièce facultative)
- Tuyau NG et raccord à dégagement rapide (pièce facultative)
- Robinets LP/NG (pièce facultative)

**1 an de garantie :** (à partir de la date d'achat); Jackson Grills remplacera ou réparera (à sa discrétion), toute pièce défectueuse dans la liste indiquée ci-dessous, sans frais. Les frais de main-d'œuvre encourus ne sont pas couverts.

- Régulateur de gaz LP pour bouteilles de 1 lb

## **Garantie limitée sujette aux conditions et restrictions suivantes :**

**(REMARQUE : Les frais d'expédition et de main-d'œuvre NE sont PAS couverts.)**

- La facture (ou une preuve d'achat) du propriétaire initial, ainsi que le numéro de série, seront exigés lors d'une réclamation de garantie auprès de votre détaillant autorisé. La carte d'enregistrement de garantie doit être retournée dans un délai de 30 jours, pour enregistrer votre garantie.
- Cette garantie d'usine est non transférable et ne peut être prolongée en aucun cas.
- Jackson Grills garantit ses produits à l'acheteur initial seulement (SANS EXCEPTION).
- Cette garantie limitée ne couvre pas les dommages causés par une mauvaise utilisation, un manque d'entretien, des environnements hostiles, un accident, des altérations, des abus ou de la négligence, y compris les rayures, les bosses, la corrosion, la décoloration par la chaleur (la décoloration est normale), et des dommages abrasifs ou chimiques résultant de l'utilisation des nettoyants agressifs.
- Dans le cas d'une détérioration de pièces causant un mauvais fonctionnement pendant la période couverte par la garantie, un remplacement de ces pièces sera effectué, au cours de la première année seulement. Cette garantie couvre la réparation ou le remplacement des pièces garanties dont les matériaux ou la fabrication sont défectueux, pourvu que le produit ait été utilisé conformément aux instructions d'utilisation et dans des conditions normales.
- Après la première année, Jackson Grills se réserve le droit de se libérer complètement de toutes ses obligations concernant cette garantie, en remboursant à l'acheteur initial (confirmé) le prix d'achat de gros des pièces garanties.
- Ce barbecue à gaz doit être installé par un technicien d'entretien ou entrepreneur qualifié et autorisé.
- Les pièces d'origine Jackson doivent toujours être utilisées; l'utilisation des pièces fournies par d'autres fabricants annulera la garantie.
- L'installation doit être effectuée en conformité avec les procédures d'installation décrites dans le manuel du propriétaire fourni.
- Jackson Grills et ses tiers ne seront aucunement responsables des frais d'installation, de main-d'œuvre ou de tous autres frais ou toute autre dépense liés au remontage d'une pièce garantie, et ces dépenses ne sont pas couvertes par cette garantie.
- Nonobstant toutes les dispositions contenues dans cette Garantie limitée, la responsabilité de Jackson Grills en vertu de cette garantie est définie comme susmentionnée, et ne s'applique à aucun dommage accidentel, consécutif ou indirect.
- Jackson Grills n'endosse ni n'autorise aucun tiers à assumer en son nom toute autre responsabilité concernant la vente de ce produit.
- Jackson Grills se réserve le droit d'inspecter toute pièce, avant d'approuver la réclamation de garantie.
- Jackson Grills ou ses représentants ne sont pas responsables de tous les frais résultant de coûts de main-d'œuvre, tels que les frais d'expédition ou les droits de douane.