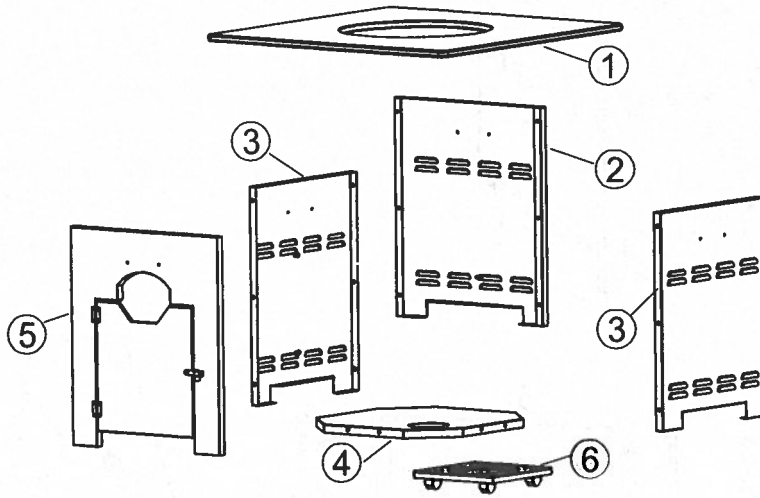



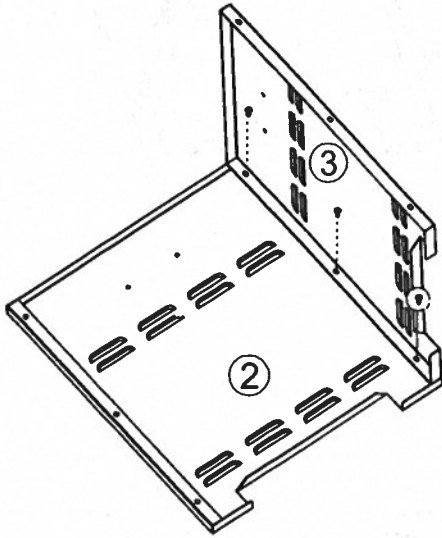
INSTALLATION INSTRUCTIONS

Exploded view




STEP 1

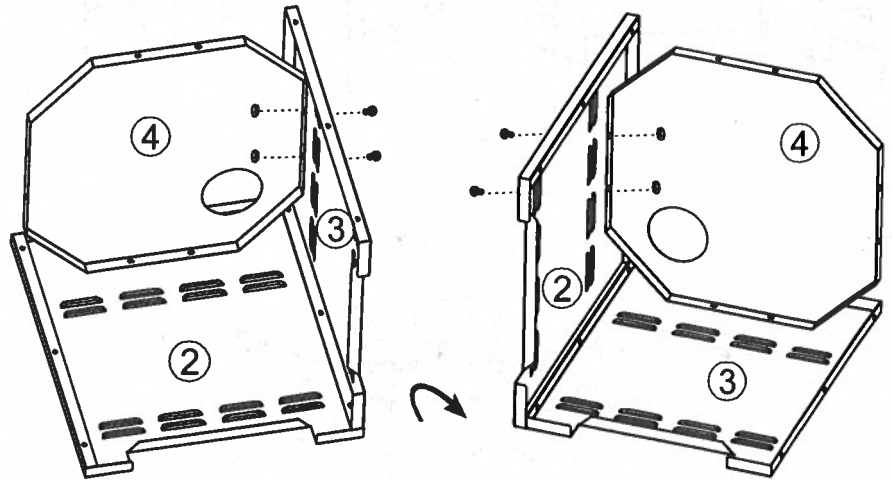
 M6x15 3PCS




STEP 2

 M6x15 4PCS

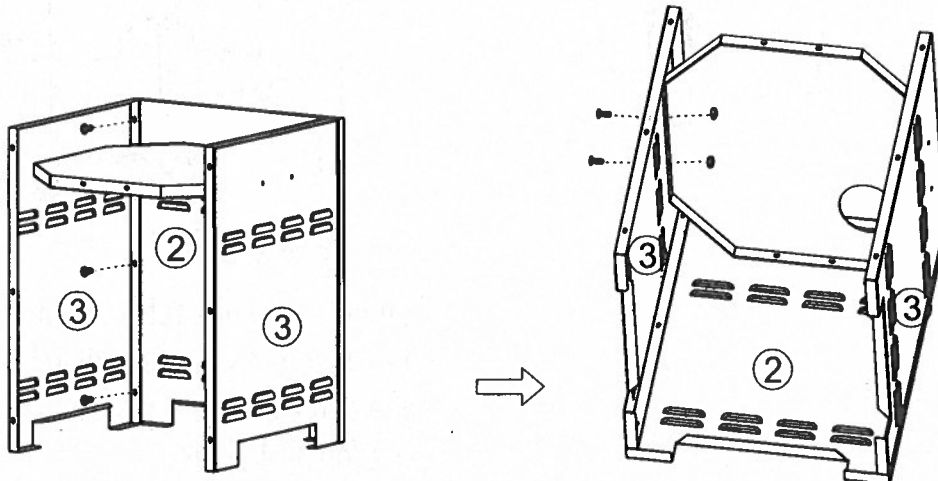
 M6 4PCS



STEP 3

 M6x15 5PCS

 M6 2PCS

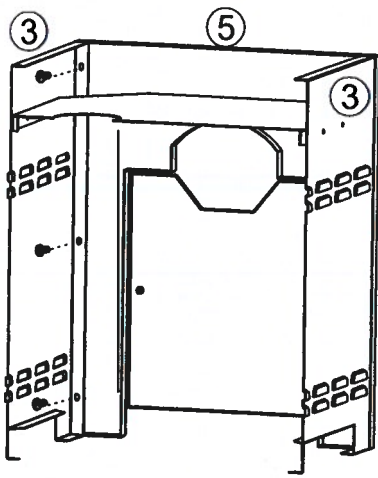
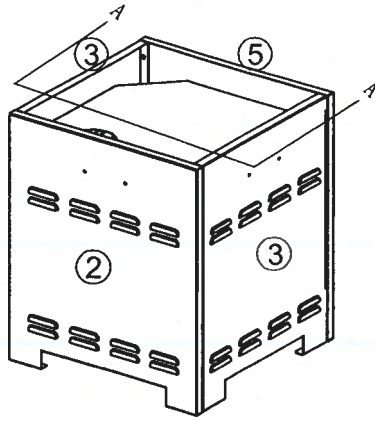


INSTALLATION INSTRUCTIONS

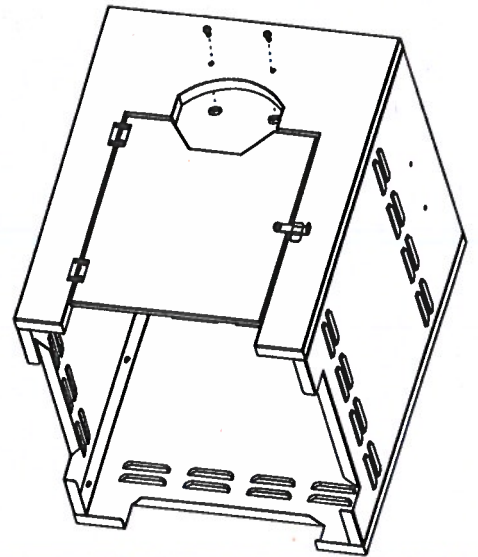
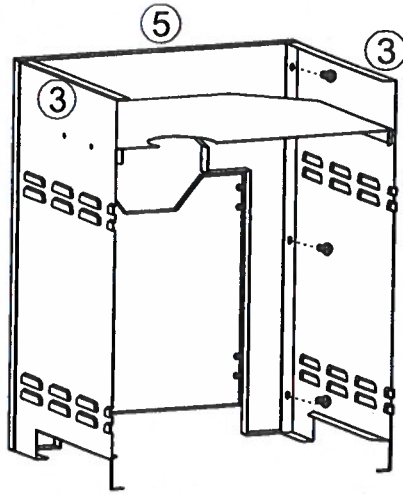
STEP 4

● M6x15 8PCS

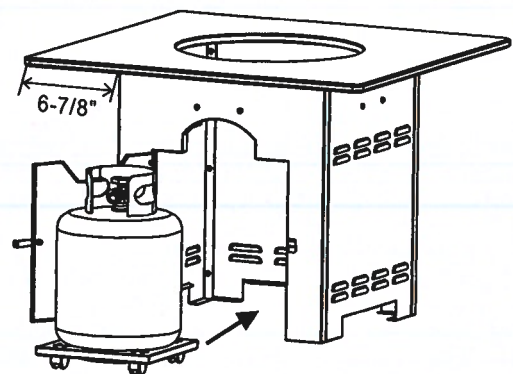
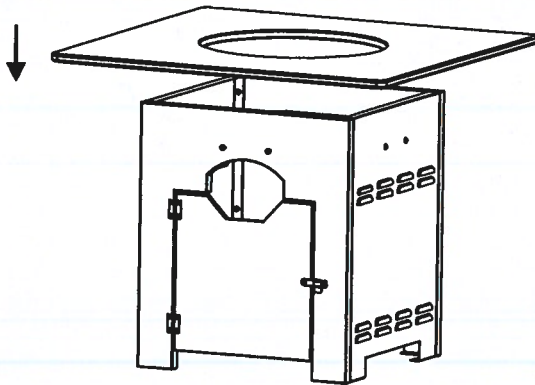
⊙ M6 2PCS



A-A



STEP 5



Center the granite table top on the top of the steel base, the granite should hang over the edge of the steel base by approximately 6-7/8" on all 4 sides.