



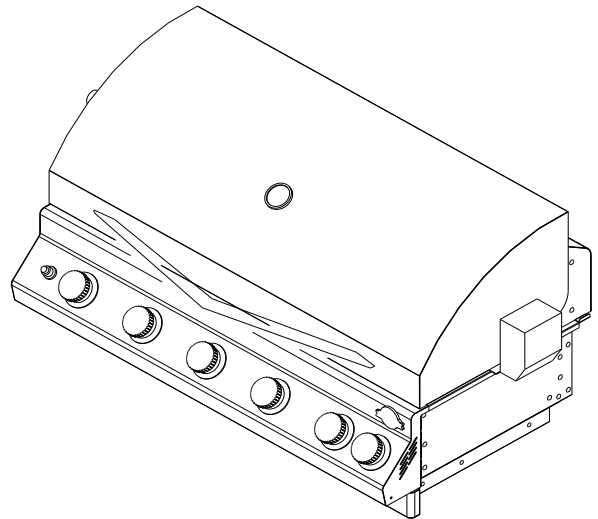
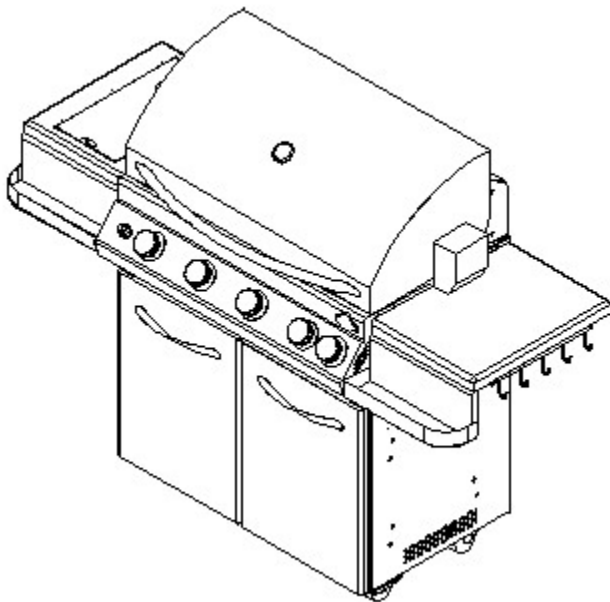
Jackson Grills Premier Series Owner's Manual

***This manual is for use with JPG700, JPG700BI-2 and
JPG850BI-2 series grills***

Certified for Canada and U.S.A

Warning: *Please read and understand the contents of this manual fully before operating. Failure to do so may result in fire or explosion. Homeowners should retain these instructions.*

*All barbecues and carts are designed for OUTDOOR use only and cannot be installed in or on boats.
This barbecue CANNOT be installed in or on Recreational Vehicles. Not for commercial use.*



JACKSON GRILLS INC.
#106-2480 Mt. Lehman Rd.
Abbotsford, BC
V4X 2N3
TELEPHONE: (604) 855-6756
FAX: (604) 855-5373
SUPPORT: support@jacksongrills.com
WEB SITE: www.jacksongrills.com

TABLE OF CONTENTS:

SAFETY	3
LP GAS CYLINDER REPLACEMENT	4-5
OPD EQUIPPED CYLINDER	6
HOSE AND REGULATOR	6
LEAK TESTING	7
INSTALLATION	8
CLEARANCES	9
ASSEMBLY	10-13
GETTING TO KNOW YOUR GRILL	14
LIGHTING INSTRUCTIONS	15
GAS CONVERSION	16-18
MAINTENANCE	19
GRILLING TIPS AND TECHNIQUES	20
TROUBLE SHOOTING	21
PARTS LIST	22
EXPLODED VIEWS	23
WARRANTY	24
WARRANTY REGISTRATION	25

DO'S AND DON'TS

DO...

- Have propane cylinder (LP Units) filled by an authorized LP supplier.
- Check all gas connections for leaks using a soapy water solution before lighting, tighten connections until the bubbles disappear.
- Always open the hood before lighting.
- Pre heat the grills before using.
- After cooking, turn the grill OFF, then take a long handled soft wire brush and brush off the cooking grills, then turn off the gas at the main fuel supply.
- Cook with the hood down when possible. It is faster and more efficient. Trapped smoke adds flavor.
- Turn the gas supply off immediately if you are unable to light the grill. Wait 5 minutes before attempting to light the grill again.
- Have proper tools. Tongs, mittens ready prior to removing food.
- Trim excess fat from meats to minimize flare-ups.
- Let the grill totally cool before cleaning or removing any parts for cleaning or servicing.
- Cover the grill with the cover when not in use.

DON'T...

- Install the grill closer than 36 " on the sides and back to any combustible materials.
- Attempt to adjust the regulator, it has been factory set and tested.
- Allow a LP gas cylinder to lie on its side. Keep in an upright position.
- Turn a control valve on before the igniter button has been depressed.
- Use plastic or un-tempered glass utensils on or in the grill.
- Attempt to move an aluminum foil pan while it is still hot.
- Cover or block any air opening.
- Place aluminum foil in the grease pan to catch the drippings.
- Wear long, loose flowing clothing around the grill. Long flowing hair is also easily ignited.
- Put food on the grill and leave it unattended or unwatched for long periods of time.
- Use CAUSTIC materials to clean the grill. Example: Lye, or solvents.
- Never use the warming rack in place while using the rear infrared burner.

SAFETY:

Your new Jackson Grill barbecue is a safe, convenient appliance when used and maintained properly. As with all gas-fired appliances, certain safety precautions must be observed. **Failure to follow these precautions may result in damage or injury.** If you have any questions or concerns regarding the assembly or operation of this appliance, you should contact your dealer, gas appliance technician or your gas company.

NEVER OPERATE THIS BBQ WITHOUT THE PULL OUT MAIN DRIP TRAY IN PLACE.

FOR YOUR SAFETY:

If you smell gas:

1. **Shut off gas to the appliance.**
2. **Extinguish any open flame.**
3. **Open lid.**
4. **If odor continues, immediately call your supplier or fire department.**

DO NOT store or use gasoline or any other flammable liquid in the vicinity of this or any other appliance.

An LP Cylinder not connected for use shall not be stored in the vicinity of this or any other appliance.

CAUTION:

1. For outdoor use only.
2. If stored indoors, detach and leave cylinder outdoors.
3. This appliance must not be operated unattended.
4. Special care must be taken to keep small children away from heated surfaces.

ELECTRICAL CAUTION:

1. If any accessory is used on this appliance with an external electrical power source, the accessory (when installed) must be electrically grounded in accordance with local codes. In the absence of local codes, the following standards apply:

(Canada) CSA C22.1 Canadian Electrical Code, and (USA) ANSI/NFPA No. 70 – Latest Edition.

2. Do not cut or remove the grounding prong from the plug.
3. Keep the electrical supply cord and fuel supply hose away from any heater surface.

LP GAS CYLINDER PLACEMENT:

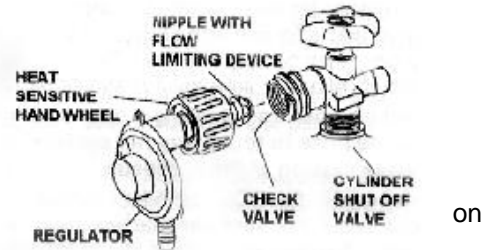
Cylinders must be installed according to assembly instructions. Install the gas cylinder into the tank hole inside of the Jackson Pedestal.

LP GAS CYLINDER:

QCC-1 Quick Closing Coupling

Your grill is designed to be used with an LP gas cylinder equipped with the new QCC-1 Quick Closing Coupling system. The QCC-1 system incorporates new safety features required by the Canadian Standards Steering Committee and the American National Standards Institute (ANSI).

- Gas will not flow until a positive connection has been made.
- A thermal element will shut off flow of gas between 240 degrees and 300 degrees F. When activated, a flow-limiting device will limit the flow of gas to 10 cubic feet per hour.



The LP Gas Cylinder is not included with the Gas Grill. Be sure to purchase one with the QCC valve. The external threads the inlet port of the valve recognize this valve. QCC equipped cylinders are available from your gas grill dealer. **Any attempt to connect the regulator, by use of adapters or any other means, to any other valve could result in damage or fire, and may negate the important safety features designed into the QCC-1 system.**

SPECIFICATIONS:

All LP gas cylinders used with this appliance must be constructed and marked with the specifications for LP cylinders in accordance with the Canadian Transport Commission (CTC)

1. Or the US Department of Transport (DOT) for use in the USA.
2. The LP gas cylinder used for this appliance must not have a capacity larger than 20 lb. (9 kg): approximately 18" (46cm) high & 12" (30cm) diameter.
3. All LP gas cylinders used with this appliance should be inspected at every filling and re-qualified by a licensed service outlet at the expiry date (10 years) in accordance with DOT (USA) and CTC (Canada) codes for LP gas cylinders.
4. All LP gas cylinders used with the appliance must be provided with a shut off valve terminating in a cylinder valve outlet No. 510, specified in the Standard for Compressed Gas Cylinder Valve Outlet and Inlet Connections (USA) ANSI / CGA-V-11977 (Canada) CSA B96.

The cylinder supply system must be arranged for vapor withdrawal. The cylinder must also include a collar to protect the cylinder valve. As well, the cylinder valve must include a safety relief device having direct communication with the vapor space of the cylinder.

HANDLING:

1. Government regulations prohibit shipping full LP gas cylinders. You must take your new cylinder to an LP gas dealer for filling.
2. A filled LP gas cylinder is under very high pressure. Always handle with care and transport in the **upright** position. Protect the valve from accidental damage.
3. Do not tip the LP gas cylinder while connecting it to the regulator. Fasten the cylinder securely during transport, use and storage.
4. If the cylinder is tipped after it is connected to the regulator, shut off the gas, disconnect the regulator and have it checked before using it again.

STORAGE:

1. Store the LP gas cylinders outdoors in a well-ventilated area.
2. Do not store the LP gas cylinders in direct sunlight or near a source of heat or combustion.
3. If you intend to store your grill indoors, disconnect and remove the LP gas cylinder first. Disconnected cylinders must have plugs installed and must not be stored in a building, garage or any other enclosed area.
4. Keep out of reach of small children.
5. When the LP gas cylinder is connected to the gas grill, the LP gas cylinder must be stored outside in a well-ventilated area.
6. Keep the ventilation openings for the LP cylinder enclosure free and clear of debris.

OPERATION:

1. Never connect your gas grill to an LP cylinder without the regulator provided, and **never to an unregulated gas supply**. The gas regulator supplied with the appliance must be used.
2. **Always** leak test the LP gas cylinder to regulator connection when connecting the LP gas cylinder to the appliance. See "leak testing".
3. **Do not** operate the appliance if the smell of LP gas is present. Extinguish all flame and determine the source of LP gas before proceeding. **Do not** ignite the appliance until the LP gas leak has been found and sealed.
4. **Always** shut off the LP gas cylinder valve when the appliance is not in use.

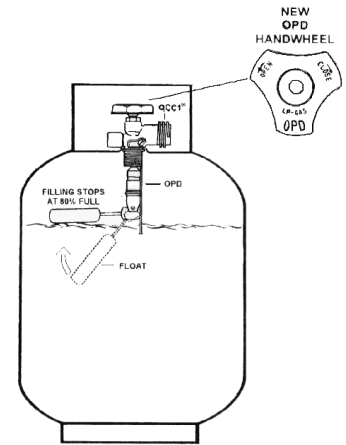
OPD EQUIPPED CYLINDER:

Effective January 1, 1998, the standard for outdoor gas appliances, ANSI Z21.58/CAN CGA-1.6, requires that appliances are to be used with cylinders equipped with an Overfill Prevention Device (OPD).

The OPD is designed to reduce the potential for the overfilling of propane cylinders, thus reducing the possibility of relief valve discharges of raw propane. **The new OPD causes a slower purge / fill operation.** Some consumers have been advised by filling stations that these cylinders are "defective". **This is not a defect.** Some propane filling stations may not be aware of this new device and its effects on the purge / fill operation.

IDENTIFICATION:

To identify these cylinders, the new OPD hand wheel has been standardized to the shape shown.



HOSE AND REGULATOR:

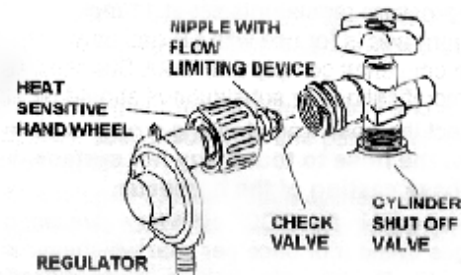
1. The QCC coupling contains a magnetic Flow Limiting Device which will limit the flow of gas should there be a leak between the regulator and the appliance valve. This device will activate if the cylinder valve is opened while the appliance valves are open. **Be sure the appliance valves are off before the cylinder valve is opened to prevent accidental activation.**
2. The QCC coupling incorporates a heat sensitive hand wheel that will cause the back check module in the QCC cylinder valve to close when exposed to temperatures between 240 degrees and 300 degrees F. Should this occur, do not attempt to reconnect the nut. Remove the hose / regulator assembly and replace with a new one.

The pressure regulator is set at 11" (water column) and is for use with LP

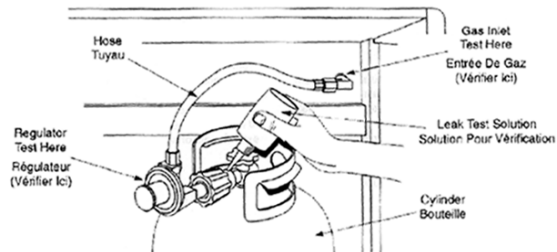
3. gas only. The hose and hose couplings comply with CGA Standard CAN 1.83. No modifications or substitutions should be attempted.
4. Protect the hose from dripping grease and **do not allow the hose to touch any hot surface, including the base of the grill.**
5. Inspect the seal in the QCC cylinder valve when replacing the LP gas cylinder or once per year, whichever is more frequent. Replace the seal if there is any indication of cracks or creases.
6. Inspect the hose before each use of the appliance. If the hose is cracked, cut, damaged or abraded in any way, the appliance must **not** be operated.
7. For repair or replacement of hose / regulator assembly, contact your dealer or approved service center.

CONNECTION:

1. Be sure the cylinder valve and appliance valves are "off".
2. Place full LP gas cylinder on tank ring bracket.
3. Center the nipple in the cylinder valve and hold in place. Using the other hand, turn the hand wheel clockwise until there is a positive stop. Do not use tools. **Hand tighten only. When making the connection, hold the regulator in a straight line with the cylinder valve, so as not to cross thread the connection.**



4. Leak test the connection. See “leak test”.
5. Refer to lighting instructions. To avoid activating the Flow Limiting Device when lighting, open the cylinder valve slowly with the appliance valves off. If the Flow Limiting Device is accidentally activated, turn off cylinder valve and appliance valves, wait 10 seconds to allow the device to reset, open cylinder valve slowly, then open the appliance valve.



IMPORTANT SAFETY INFORMATION:

THE PRESSURE REGULATOR AND HOSE ASSEMBLY SUPPLIED WITH THIS OUTDOOR COOKING APPLIANCE MUST BE USED. REPLACEMENT PRESSURE REGULATORS AND HOSE ASSEMBLIES MUST BE THOSE SPECIFIED BY THE OUTDOOR COOKING GAS MANUFACTURER.

- A. Do not store a spare LP-gas cylinder under or near this appliance.
- B. Never fill the cylinder beyond 80% full.

IF THE INFORMATION IN “A” AND “B” IS NOT FOLLOWED EXACTLY, A FIRE CAUSING DEATH OR SERIOUS INJURY MAY OCCUR.

LEAK TEST:

1. **DO NOT USE OR PERMIT SOURCES OF IGNITION IN THE AREA WHILE DOING THE LEAK TEST. THIS INCLUDES SMOKING.**
2. Leak testing should be done once per year or whenever the LP gas cylinder or any other gas system part is replaced, whichever is more frequent.
3. The leak testing solution should be half liquid detergent and half water.
4. Apply the solution to the LP gas delivery system at points shown in the illustration.
5. Bubbles in the soap solution indicate that a leak is present.
6. The leak(s) must be stopped by tightening the loose joints, if possible, or by replacing the faulty part(s) with the part(s) recommended by the appliance manufacturer.

THE APPLIANCE IS NOT TO BE USED UNTIL ANY LEAK IS CORRECTED.

A gas appliance repairman or LP gas dealer should be called if attempts to stop the leak(s) are unsuccessful and, in such case, the LP gas supply must be shut off at the cylinder valve or the cylinder must be removed from the appliance until the leak(s) is corrected.

INSTALLATION:

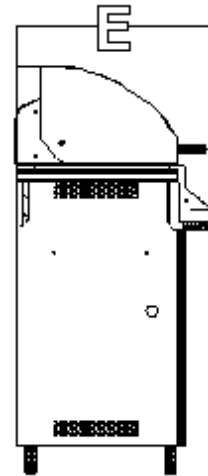
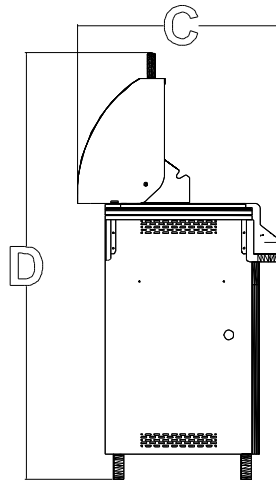
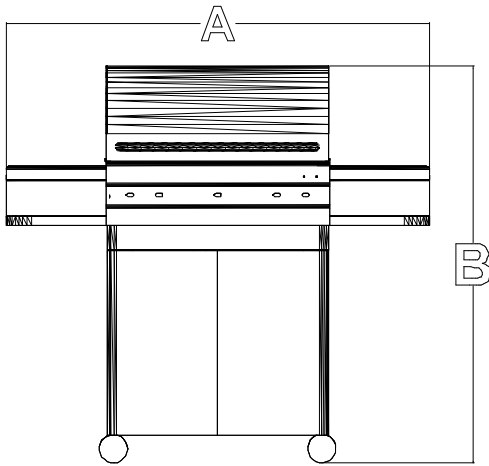
In Canada, this appliance must be installed in accordance with the local code and relevant CGA standards:

CAN/CGA-B149.1 LP Gas/Propane Installation Code and latest codes where applicable.

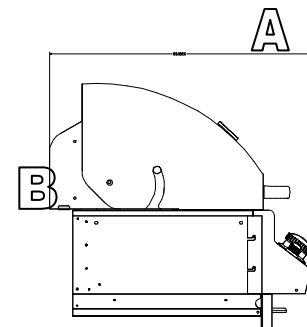
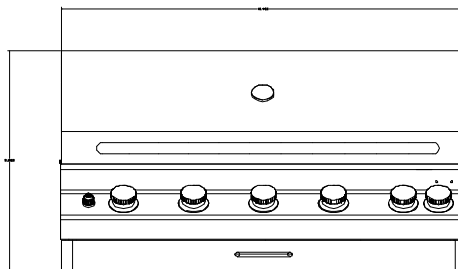
In the USA, this appliance must be installed in accordance with the local code and relevant national code:
ANSI Z223.1 – Latest Edition National Fuel Gas Code.

CLEARANCES and DIMENSIONS:

1. The appliance must have a minimum horizontal clearance from sides and back of unit to adjacent vertical combustible construction below and extending above the top of the unit 36 inches from sides and 36 inches from back of unit.
2. Do **not** locate this appliance under any overhead, unprotected combustible construction.
3. This appliance is for **OUTDOOR USE ONLY**. Do **not** operate in garage, shed, balcony or other such enclosed areas.
4. Do **not** restrict or obstruct the flow of combustible and ventilation air to the appliance.
5. Keep the area surrounding the appliance free of combustible materials, gasoline and all flammable liquids and vapors.
6. This appliance is not to be installed in or on recreational vehicles and/or boats.



UNIT DIMENSIONS		
	<u>700</u>	<u>850 BI</u>
A	61.5"	40.5"
B	48"	21.75"
C	25.75"	
D	56"	
E	23.35"	23.375"

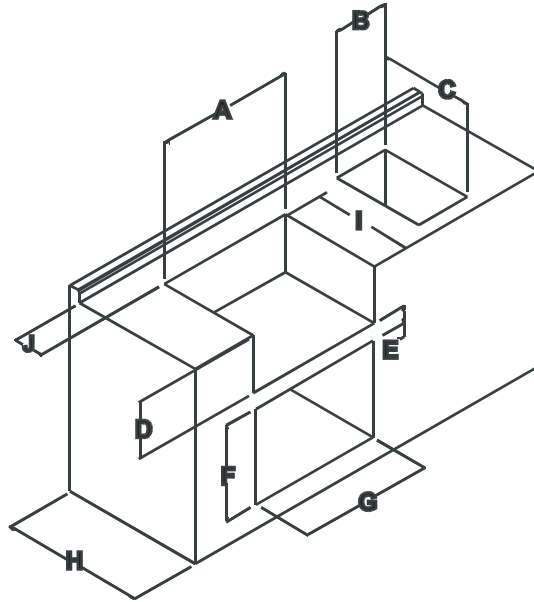


850 Built In Model

INSTALLING 700BI-2 / 850BI-2 INTO A NON COMBUSTIBLE ISLAND.

ALL DIMENSIONS ARE IN INCHES:

	<u>700BI-2</u>	<u>850BI-2</u>
A	32.5	39.5
B	9"	9"
C	17"	17"
D	10"	10"
E	3"	3"
F	17.25"	17.25"
G	24.25"	24.25"
H	24" min.	24" min.
I	18"	18"
J	5.5" min	5.5" min

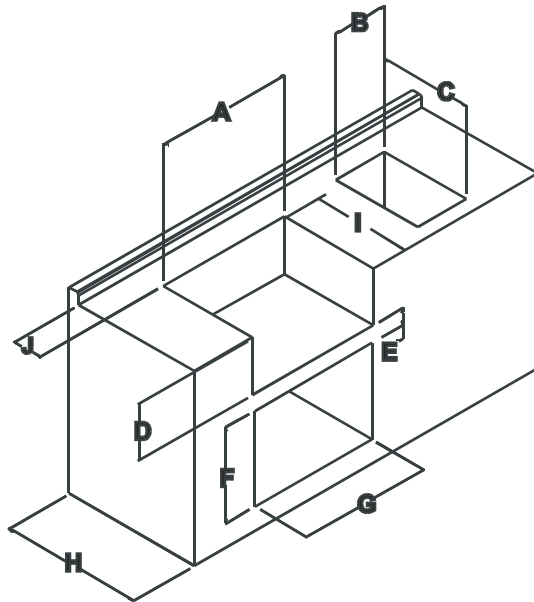


INSTALLING 700BI-2 / 850BI-2 INTO A COMBUSTIBLE ISLAND.

NOTE: IMPORTANT!!!

If these units are to be installed into a COMBUSTIBLE island a Zero Clearance Box MUST be installed. These zero clearance boxes are only available through your local dealer or Jackson Grills Inc. Use part numbers: #ZCAN700 / #ZCAN850 for installations into combustible Islands.

	<u>700BI ZC</u>	<u>850BI ZC</u>
A	34.875***	41.875***
B	9"	9"
C	17"	17"
D	10.375***	10.375***
E	3"	3"
F	17.25"	17.25"
G	24.25"	24.25"
H	24" min.	24" min.
I	19.75***	19.75***
J	5.5" min	5.5" min



*** Difference between Non Combustible and Combustible island Installations.

Ensure that the constructed island is well secured and that this island is level in all directions. Place the grill into the cut out located in the island. Connect the gas line to the gas grill located on the left hand side of this grill. Perform a gas leak test on this connection to ensure a gas leak is **not** present.

NOTE:

PLEASE ENSURE ALL PACKAGING MATERIALS HAVE BEEN REMOVED FROM ALL SURFACES.

ASSEMBLY:

Please ensure the proper tools are used for ease of installation.

Some assembly will be required if this unit is installed in a pedestal.

Please remove all components from the packaging and inspect all components to ensure there is no damage to any components in the packaging. If damage is present please contact your local dealer for replacement components. Please replace all damaged components with original manufacturer's parts only, no substitutions will be permitted. Please remove all packaging from all components of the gas grill before operating.

TOLLS REQUIRED FOR ASSEMBLY:

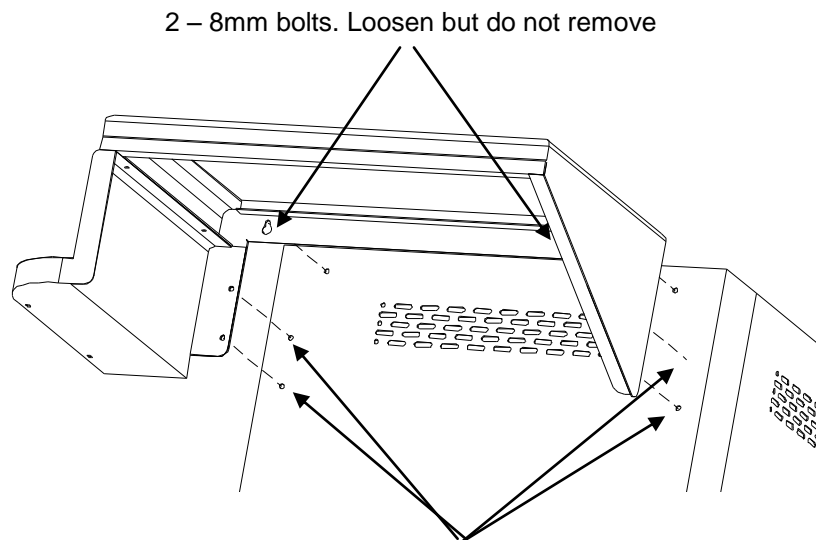
- # 2 Phillips Screwdriver
- 8 mm Open Ended Wrench
- 2- 3/4" Open Ended Wrenches
- Adjustable Wrench

SIDE SHELF INSTALLATION.

- Remove the securing straps from the front of the display panel and the pedestal side (X 2). Do not throw away these fasteners.
- Remove the 4 Phillips head screws from each side of the pedestal.
- Loosen the 2- 8 mm bolts at the top of each pedestal side. (Do Not Remove)
- Carefully remove the side shelves from the packaging.
- The side shelf that contains the side burner will ALWAYS be installed on the left hand side of the grill as you are facing the grill.
- Install the side shelves by dropping the side shelf over the 8 mm bolts. (Do not tighten these 8 mm bolts).
- Install the 4 Phillips head screws to secure the side shelf in place.
- Tighten the 2 – 8 mm bolts to finish the side shelf installation.
- Repeat for the other side.

Connect the gas line from the inside of the pedestal to the side burner outlet located under the left side shelf. Use 2 - 3/4" wrenches to properly secure the gas line to the side burner gas valve assembly.

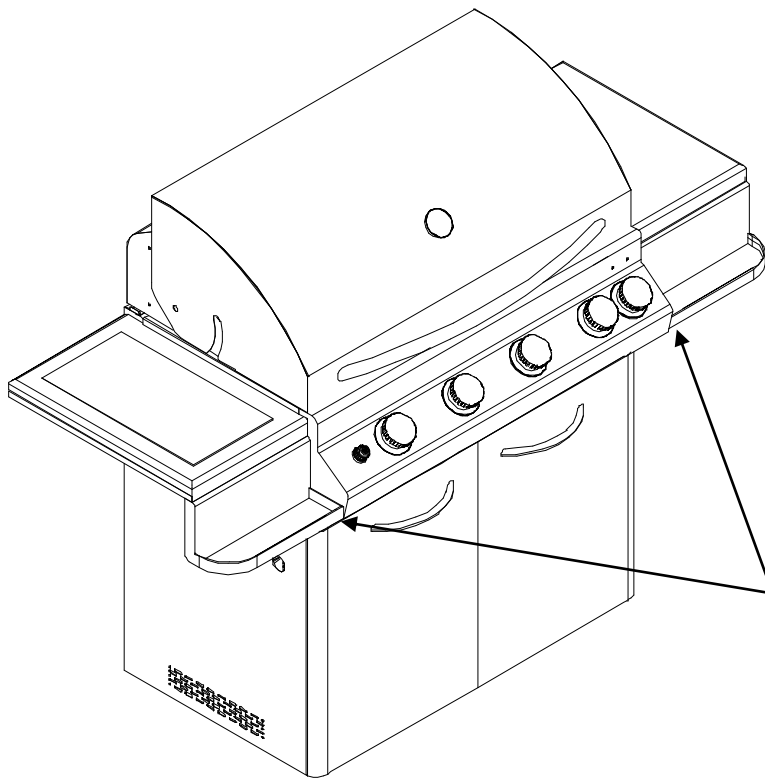
NOTE: The condiment bin is already attached to the side shelf as an assembly.



4 – Phillips head screws. Remove and reinstall after side shelf has been installed on the 2- 8 mm bolts at the top

After the side shelves have been installed, ensure the grill head is pushed back in the pedestal as far as possible.

With the screws removed from the securing straps, place a screw through the side of the condiment bins and secure the condiment bins to the display panel.

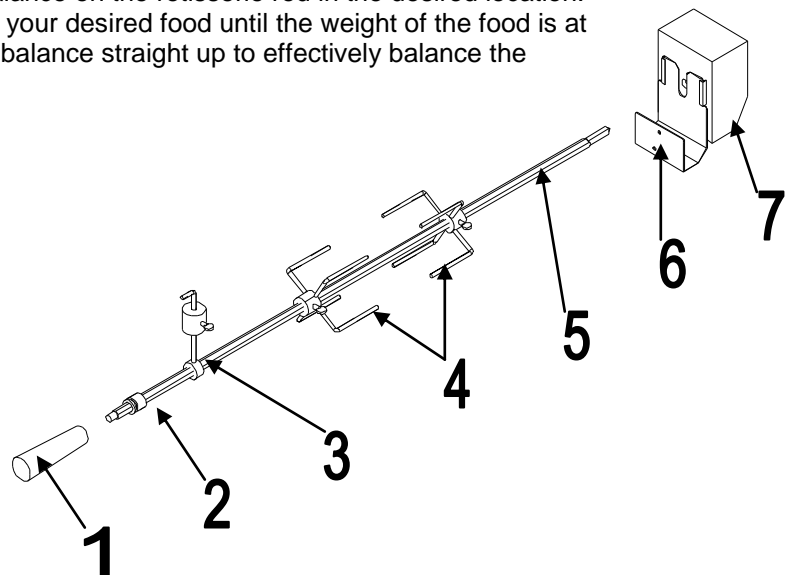


Secure the condiment bins to the display panel using the screws from the securing plates.

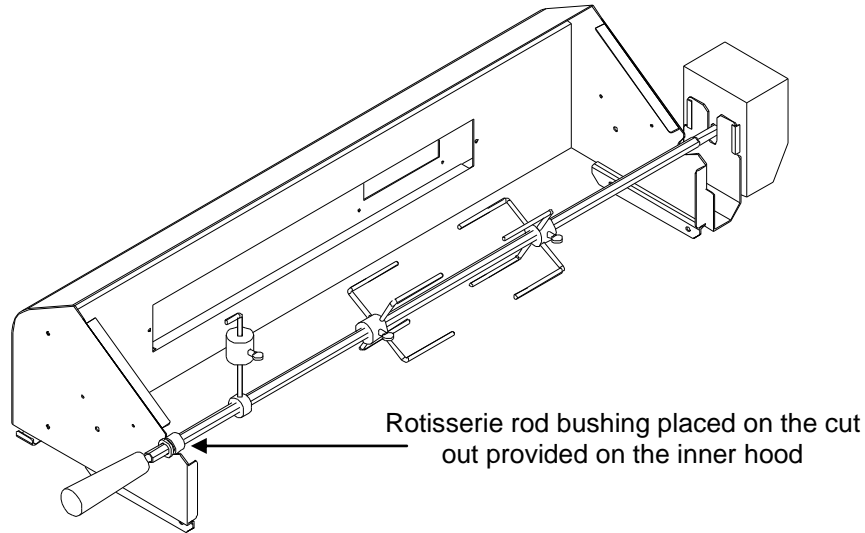
ROTISSERIE KIT INSTALLATION

- 1 Install the motor mounting bracket supplied to the right hand side of the inner hood. (If not already installed)
- 2 Install the motor on the motor bracket.
- 3 Place the rotisserie rod into the motor. Slide the rotisserie rod bushing over the opposite end of the rod and drop into the cut out provided in the inner hood side. Tighten the thumb-screw provided with the rotisserie rod bushing.
- 4 Place the forks and counter balance on the rotisserie rod in the desired location.
- 5 When in use, spin the rod with your desired food until the weight of the food is at the bottom. Install the counter balance straight up to effectively balance the rotisserie system.

1	Rotisserie Rod Handle
2	Rotisserie Rod Bushing
3	Counter Balance
4	Rotisserie Forks X 2
5	Rotisserie Rod
6	Rotisserie Motor Mount
7	Rotisserie Motor



ROTISSERIE KIT COMPLETED INSTALLATION

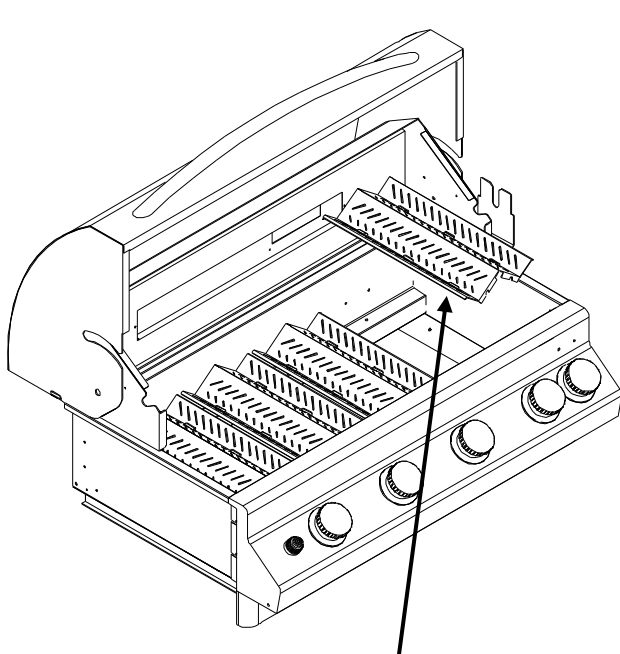


UPPER FLAVOR SHIELD, COOKING GRID INSTALLATION

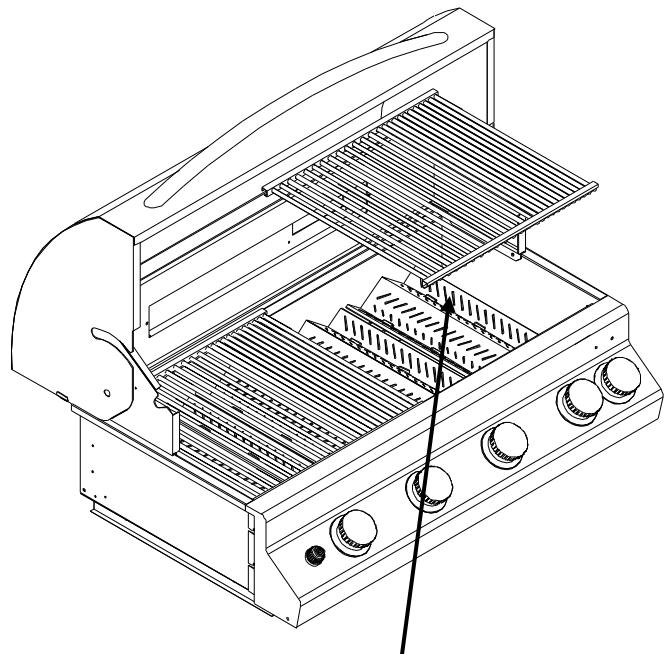
Remove the upper flavor shields from the packaging. Please ensure that all protective plastic has been removed from these parts.

These upper flavor shields should be placed on the pins provided on the firebox front and rear. Ensure that all of the upper flavor shields have been installed correctly on the pins provided or the unit will not work correctly. See diagram below.

Once the upper flavor shields have been installed the cooking grids can be installed into the grill. Place the cooking grills on the upper ledge of the firebox as shown below.



Upper flavor shield installation.
Place the upper flavor shields on the pins provided on the firebox front and rear



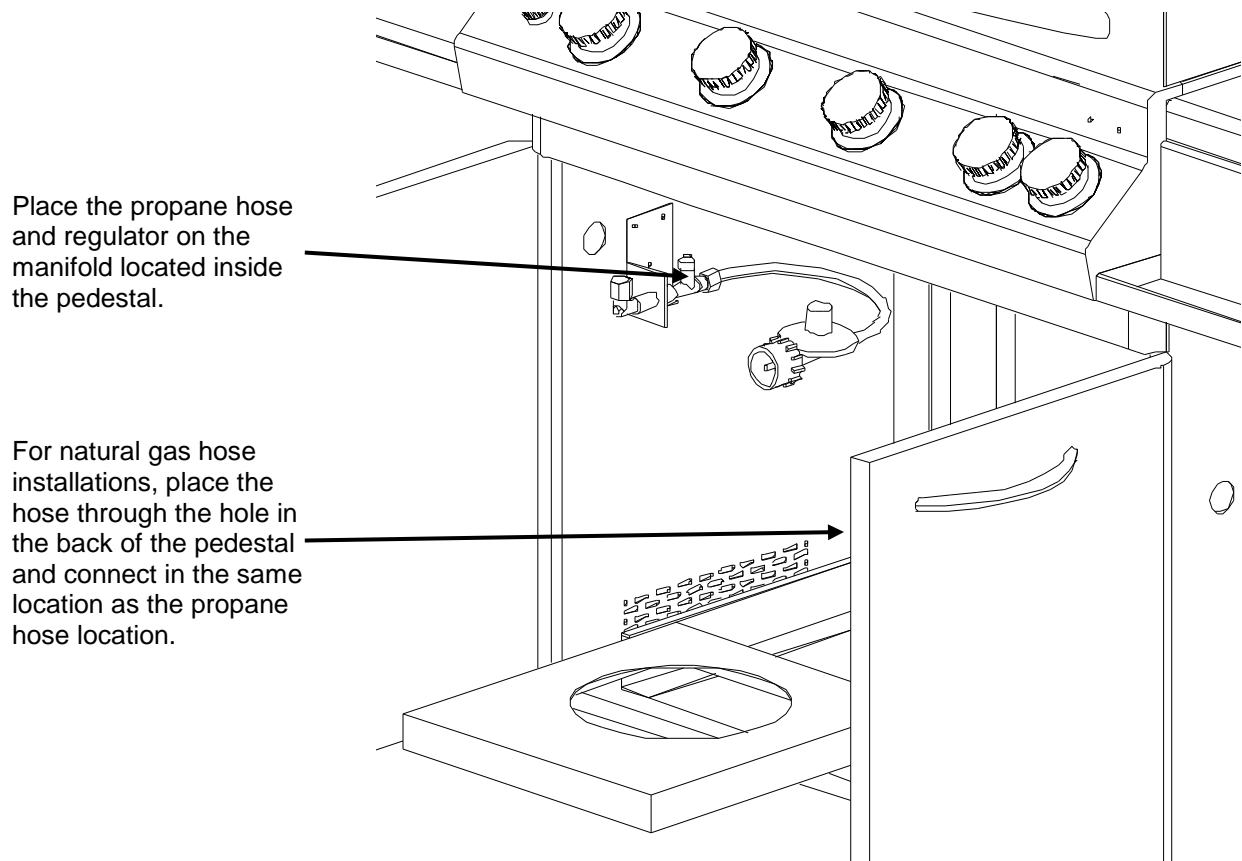
Cooking grid installation.
Place the cooking grids X 2 on the upper ledge as shown.

MAIN GAS LINE CONNECTIONS FOR PROPANE GAS AND NATURAL GAS

The main fuel supply gas line is connected to a manifold tee securely mounted inside the pedestal located on the left hand side of the pedestal.

Remove the propane hose and regulator assembly from the packaging. Please ensure that there is no debris inside the brass flare connection or inside the rubber hose. Using a $\frac{3}{4}$ " wrench and an adjustable wrench tighten the hose to the connection provided inside the pedestal.

If this unit is to be connected to natural gas, place the natural gas hose through the hole provided in the lower left hand rear corner of the pedestal. This hole should have a rubber grommet around the hole to protect the hose from getting damaged. See diagram below.

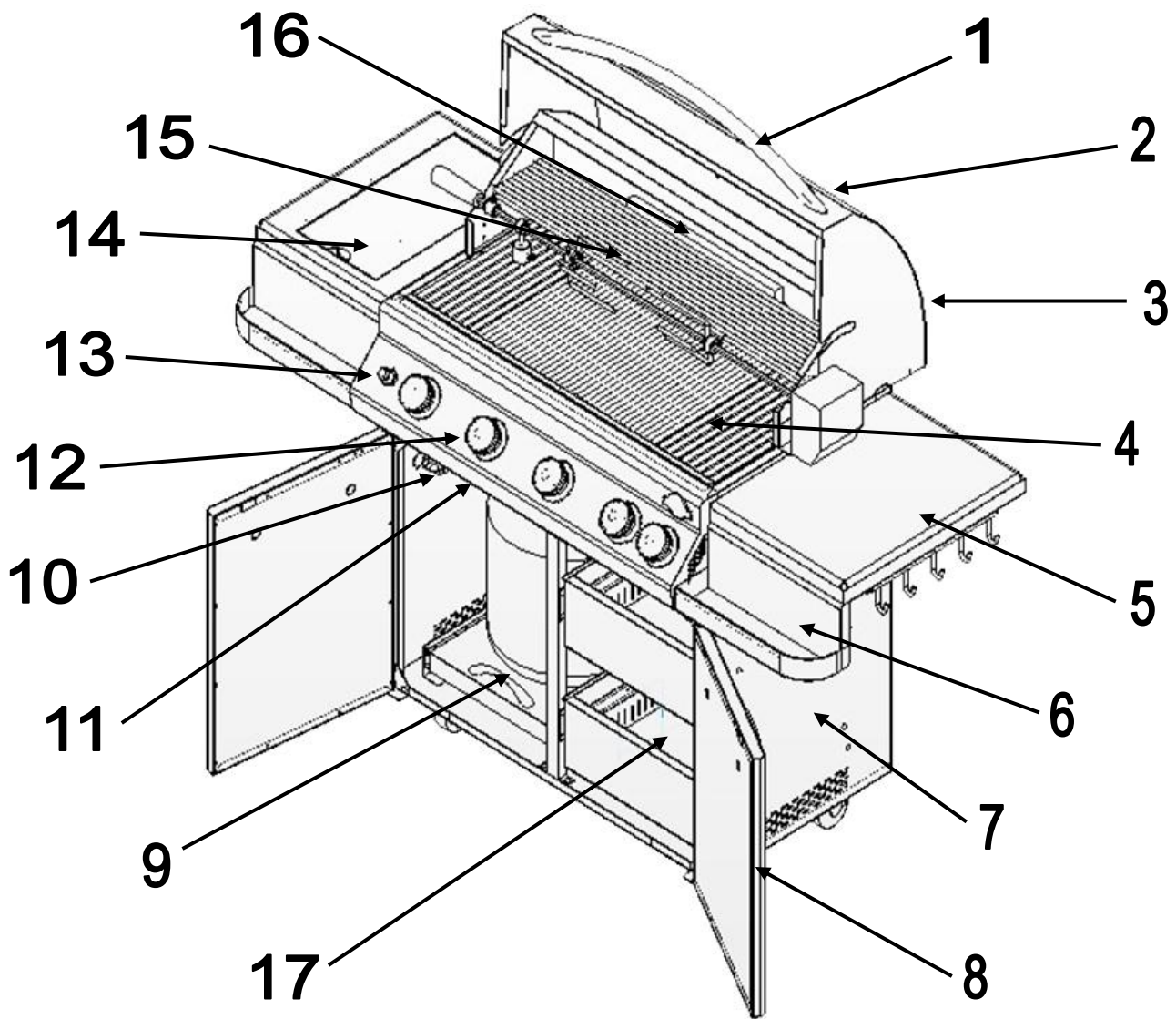


Once the main gas line has been connected, connect the fuel line to the gas supply being used. Turn the gas on **SLOWLY**, if the gas is turned on too quickly the regulator could lock up and not work correctly. By turning the main gas supply on slowly this will prevent this problem from happening.

When the gas supply has been turn on, perform a **leak check** on ALL connections inside the pedestal using a soapy water solution as described on Page 7 of this manual.

GETTING TO KNOW YOUR GRILL

1	Outer Hood Handle	11	Pull Out Grease Tray
2	Hood Thermometer	12	Main Control Knobs / Display Panel
3	Outer Hood	13	Electronic Ignition
4	Cooking Grids X 2	14	Side Burner Side Shelf
5	Side Shelf	15	Warming Rack
6	Condiment Bins X 2	16	Infrared Rear Burner
7	Pedestal	17	2 x Drawer Slide Out
8	Pedestal Doors X 2		
9	Propane Tank Slide out		
10	Pedestal Gas manifold		



MAIN BURNER LIGHTING

BEFORE LIGHTING:

Carefully inspect the gas supply hose before turning the gas "ON". If there is evidence of cuts, wear, or abrasion, it must be replaced before use, the replacement hose assembly shall be that specified by the manufacturer.

VERY IMPORTANT: ALWAYS INSPECT THE HOSE BEFORE EACH USE OF THIS GRILL.

TO LIGHT MAIN BURNERS OF THE GRILL:

1. Read instructions before lighting.
2. Turn all knobs to "OFF" then open the L.P. tank valve. Always keep your face and body as far from the grill as possible when lighting.
3. Open lid during lighting.
4. Push and turn any control knob **slowly** to "HI" position. The built-in igniter will click and spark simultaneously to light the pilot and burner in sequence. Turn the control knob to OFF IMMEDIATELY if the burner does not light within 5 seconds, wait 5 minutes for gas to dispel, then repeat the lighting procedure.
5. Follow match lighting instructions if burner can't be lit after repeated 3-4 times.

MANUAL BURNER LIGHTING MAIN BURNER

See your local dealer for service if your grill igniter is not functioning.

1. Remove the cooking grates and the flame tamers that are over each burner.
2. Turn the burner you are lighting to high / light and place a long match near the side gas ports of the burner.
3. If the burner does not immediately light, turn the valve to OFF. Wait 5 minutes then repeat lighting procedures.

REAR BURNER LIGHTING

When operating the rear burner please ensure that the warming rack is **REMOVED**. The warming rack will become damaged if **NOT** removed while the rear infrared burner is in use.

The rear burner is specially designed to be used with the rotisserie kit, and should **ONLY** be used when using the rotisserie kit.

To light the rear burner:

1. Depress the ignition button and then turn the rear burner control knob to HI.
2. If the burner does not light within 5 seconds, turn control knob to OFF. Wait 5 minutes then repeat lighting procedures.

MAIN BURNER USE

When searing foods, preheating is recommended by operating all main burners in the **HI** position with the lid closed for approximately 6-10 minutes. 9-10 minutes for colder climates, 6-8 for milder/warmer climates.

Cooking with the lid closed will ensure a more even temperature that will reduce cooking time and cook more evenly.

Food that has a cooking time longer than 30 minutes, such as roasts, may be cooked indirectly (with the burner lit opposite the food placement).

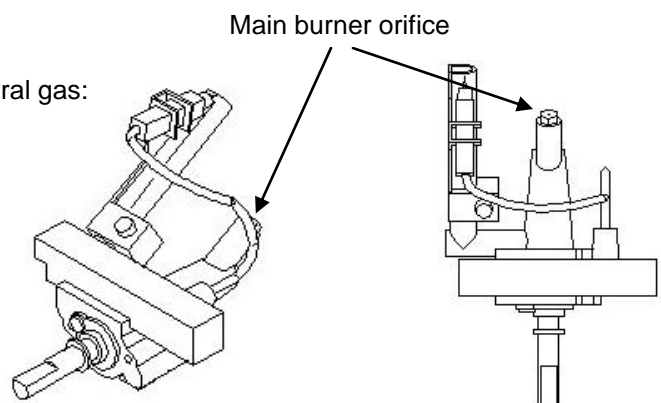
When cooking very lean meats, such as chicken breasts or lean pork, the grids can be oiled before cooking to prevent sticking.

Cooking meat with a high degree of fat content may create flare-ups. Either trim some fat or reduce temperatures to prevent this. Should a flare up occur, move the food away from the flames, reduce heat and leave the lid open.

NATURAL GAS INSTALLATIONS

Tools required to convert this grill from propane gas to natural gas:

- # 2 Phillips screwdriver
- 6 and 7 mm wrenches
- ¾" wrench
- Adjustable wrench



The outdoor cooking gas appliance and its individual shut off valve must be disconnected from the gas supply piping system during any pressure testing of that system at test pressures in excess of ½ psi (3.5 kPa). The outdoor cooking gas appliance must be isolated from the gas supply by closing its individual manual shut off valve during any pressure testing of the gas supply piping system at test pressures equal to or less than ½ psi (3.5 kPa).

CONVERTING FROM PROPANE GAS(LP) TO NATURAL GAS

A qualified gas installer should perform all gas conversion. This appliance should only be converted with conversion kit JPG700/850-NGKIT. This conversion kit is supplied with this grill.

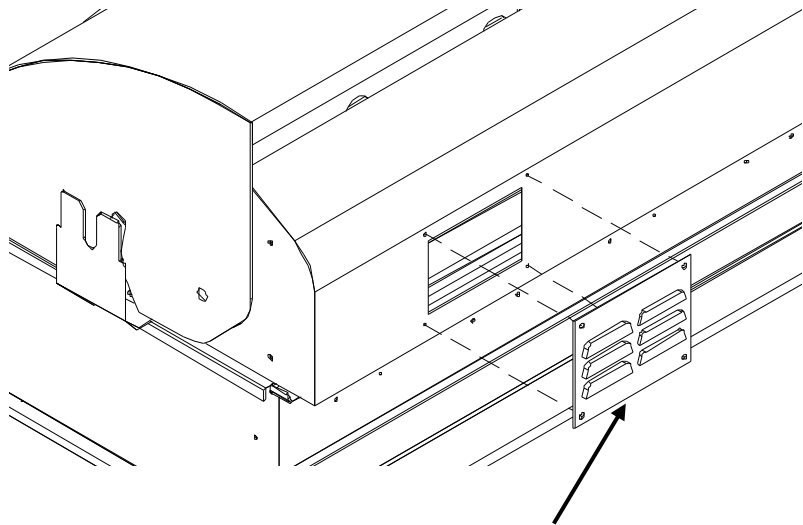
MAIN BURNER ORIFICES

- 1 Remove the cooking grids and upper flavor shields.
- 2 Using a # 2 Phillips screw driver, remove the screw that holds the main burners to the firebox rear wall and remove all burners.
- 3 Pull the grease pan all the way out and remove.
- 4 Using a 6 mm wrench undo all of the main burner orifices from the underside of the control panel. Place them aside from any other orifices included in the Natural Gas Conversion Kit.
- 5 Using an approved thread sealant, replace the main burner orifices with the NEW natural gas orifices supplied. **BE VERY CAREFUL TO NOT CROSS THREAD OR OVERTIGHTEN ORIFICES.**
- 6 Before reinstalling the main burner tubes, using a # 2 Phillips screwdriver, loosen the screw at the air shutter on the main burner. CLOSE the air shutter to a distance of 1/16" OPEN and retighten the air shutter adjustment screw.
- 7 Reinstall the main burners ensuring that the burner is properly placed over the main burner orifice and reinstall the screw on the firebox rear wall.
- 8 Reinstall the grease pan, upper flavor shields, and cooking grids.

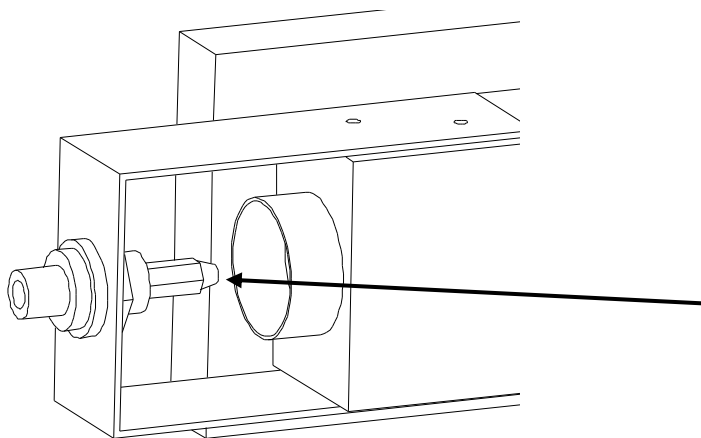
REAR BURNER.

- 1 Using a # 2 Phillips screwdriver undo the 4 screws that hold the back cover plate to the inner hood.
- 2 Once the cover has been removed use a 7 mm wrench to remove the rear burner orifice from the rear burner.
- 3 Install the new rear burner orifice using an approved thread sealant.
- 4 Reinstall the rear burner cover plate using the 4 screw previously removed.

NOTE: There is NO air adjustment required when converting the rear burner from propane gas to natural gas.



Remove the 4 screws that hold the back cover plate using a # 2 Phillips screwdriver

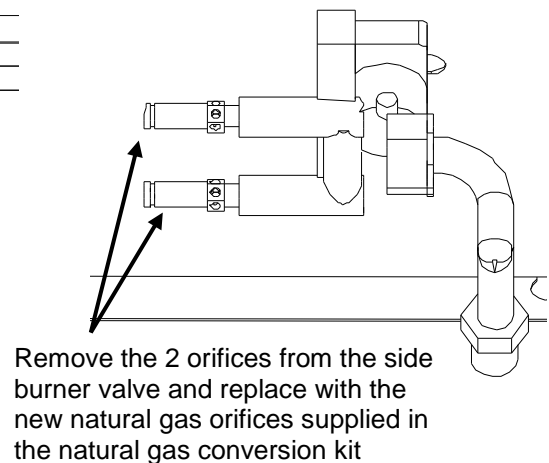
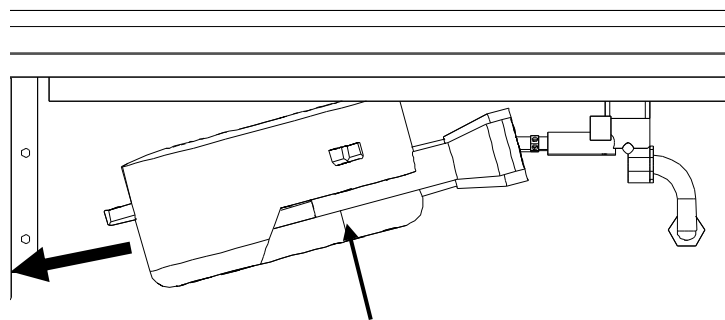
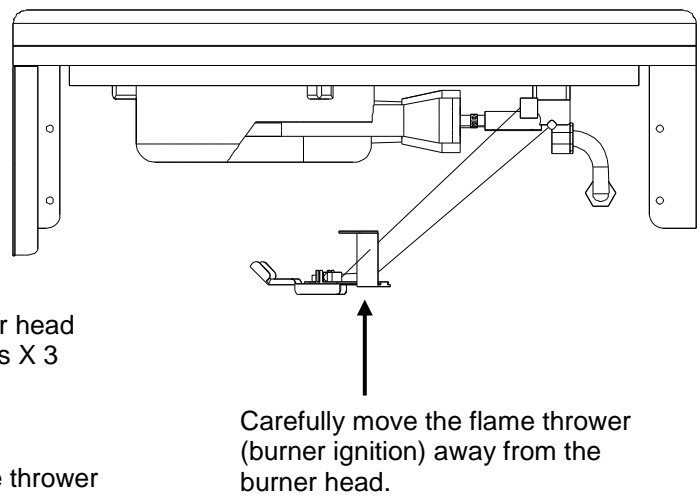
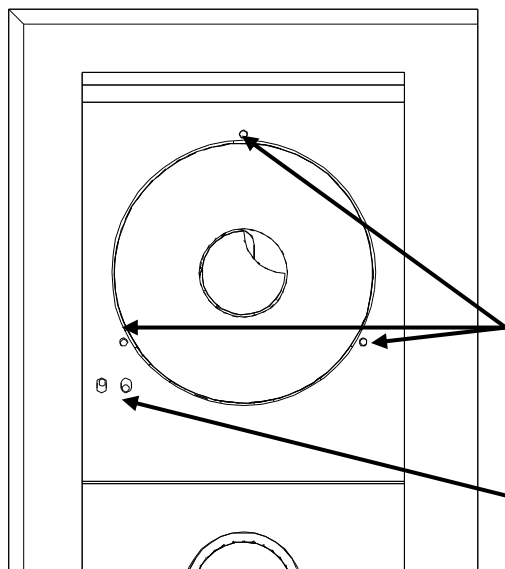
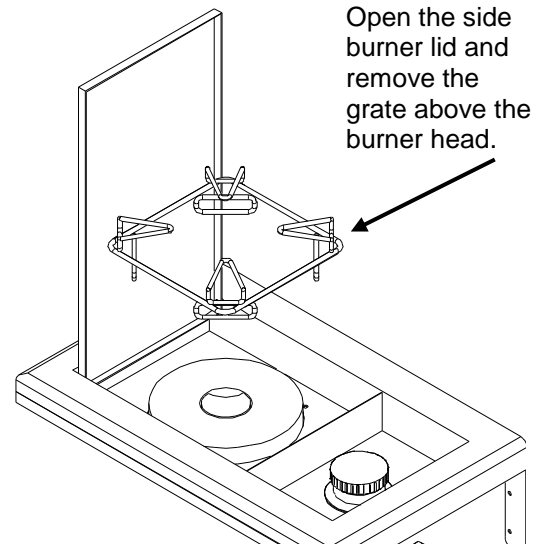


Undo the rear burner orifice using a 7 mm wrench.

Reinstall the new natural gas orifice using an approved thread sealant.

SIDE BURNER

- 1 Open the side burner lid and remove the grate over the burner head.
- 2 Undo the 2 Phillips head screws that hold the flame thrower (burner ignition) and VERY carefully move away from the burner head.
- 3 Undo the 3 screws that hold the burner head onto the side shelf base.
- 4 Remove the 2 main orifices and place away from the natural gas conversion kit so the orifices will not get mixed up with the new orifices.
- 5 Replace the 2 orifices using an approved thread sealant.
- 6 Reinstall the burner head using the 3 screws previously removed.
- 7 Reinstall the flame thrower ensuring that the tip is properly placed inside the bottom of the burner head.

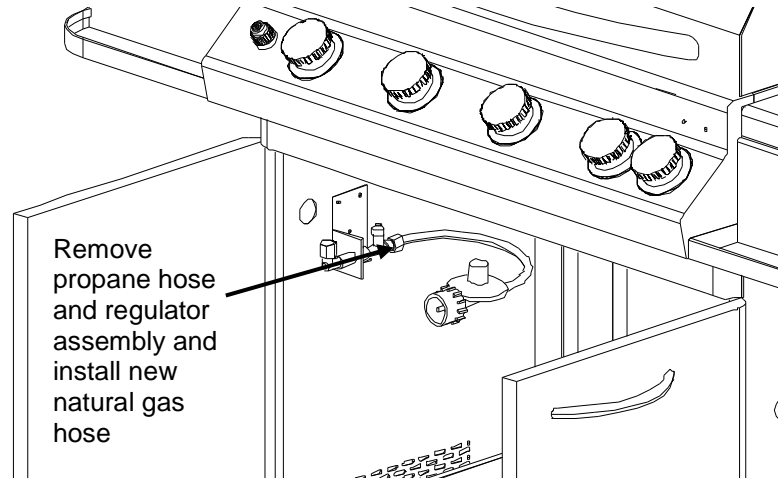


NOTE: These 2 orifices look the same. The smaller size orifice is to be installed in the center outlet of the side burner gas valve. And the larger orifice is to be installed on the right hand outlet of the gas valve.

GAS LINE

Remove the 3/8" flare fitting that attaches the propane hose from the manifold block inside of the pedestal and replace with an approved 10' natural gas hose neoprene hose. Part # **NGHOSE**

REMEMBER TO LEAK CHECK ALL FITTINGS AND ORIFICES AFTER ALL OF THE CONVERSION IS COMPLETED, LEAK CHECK ALL FITTINGS AND TEST FIRE ALL BURNERS TO ENSURE PROPER, SAFE OPERATION.



MAINTENANCE

Burner Inspection: Please inspect these burners once a year.

Periodically inspect the burners for blockage or corrosion. These burners can be cleaned using a small piece of wire and a wire brush. Be careful not to damage the ceramic spark electrode. Have the burner replaced if there are any signs of deterioration.

BURNER REMOVAL FOR CLEANING

1. Ensure the gas supply is off and grill is cool.
2. Remove cooking grids and upper flavor shields.
3. Remove the burner mounting screw located at the very back of burner near the rear of the firebox.
4. Remove burners by lifting up and out of firebox on an angle. Repeat for all burners.
5. Clean the outside of the burners with a brass bristle wire brush and make sure all gas ports are clear. Use a straightened paper clip to clear any obstructions.
6. Use a flashlight to look into the venturi end of the burner to check for blockages. If necessary, use a straight coat hanger to clear any obstructions.
7. Inspect and clean the venturi end of the burner by removing the venturi set screw on the end of the burner and removing the venturi shutter. Once removed, make sure the burner is thoroughly cleaned and the venturi shutter is re-installed with an opening of 1/8" for Natural Gas and 1/4" for Propane. (NOTE: ensure that the venturi set screw is tight after setting the correct air shutter opening.
8. Re-install and secure burner.
9. Re-mount upper flavor shields and cooking grids.
10. Light each burner to ensure they are operating correctly.

Note: When installing burners, it is **very** important to center the burner over the gas orifice. You should look under the main control panel with a flashlight once installed to make sure they are in the proper position. Failure to clean and install burners correctly could result in fire or explosion.

FOOD SAFETY TIPS AND TECHNIQUES

We want to enjoy healthy and safe grill cooking, so here are some tips for basic barbecue hygiene:

Bacteria are living organisms that grow and multiply rapidly in warm moist foods. Marinate meat in the refrigerator and take it out one half hour before grilling, if you want to grill your prepared meat at room temperature. A marinade should never be saved for a later day. If you want to use this marinade to serve with your meat please bring the marinade to a boil before using.

Professional grilling requires HIGH heat to brown and sear the meat to seal in the juices. Most foods will be cooked on "HI" setting through the entire cooking time. Some large cuts of meat may require the heat be turned down after initial browning to ensure the cut is cooked without burning the outside. Also, foods that need to be cooked for a long time or foods that have been basted in a sugary marinade may need to be cooked slower and longer in order to stop the cut from being burnt on the outside.

Before grilling, check to be sure the drip tray is in place. Light the grill according to the lighting instructions. Turn the control knobs to "HI" and preheat the grill for 6-10 minutes with the lid closed. Place the food to be grilled on the cooking grids until desired doneness, adjust the heat setting if necessary. A meat thermometer is helpful in determining how long the food should be cooked. Cooking time is affected by shape and type of cut as well as thickness.

To achieve the juiciest meats, use a spatula instead of tongs or a fork to turn the meat, and only turn the meat once during cooking. Turn the meat just when the juices begin to bubble to the surface. Add seasoning or salt only after the cooking has been completed, add sauces only at the end of the cooking time, this will prevent the sauce from being burnt.

Trim excess fat from the meats prior to grilling, this will help prevent flare-ups. Cutting the fat at 2 inch intervals will prevent the cuts from shrinking during the grilling time.

ROTISSERIE COOKING:

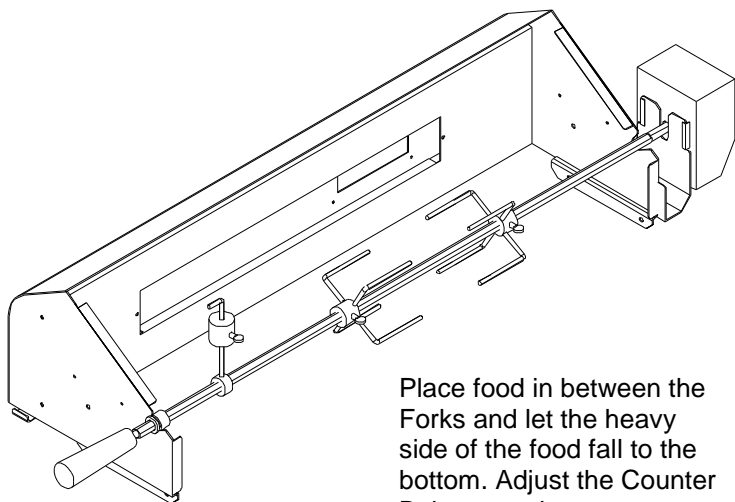
NOTE: Always remove the Warming Rack before using the Rear Burner for Rotisserie Cooking.

To place the meat or poultry on the spit, slide one of the forks onto the spit and secure the thumb screw. Then, insert the spit rod in the center of the meat or poultry, lengthwise. The food should then be centered on the spit rod and the remaining fork and secure the thumb screw. Place the spit rod in the grill and let the heavy side fall to the bottom, set the counter balance to the top and fasten in place. Periodically check the meat to ensure the spit rod is turning smoothly while cooking. Adjust the counter balance if necessary.

The only accurate way to tell when the meat is done is to use a meat thermometer. Insert the thermometer into the center of the meat. Do not allow the thermometer to touch a bone as this will not give an accurate reading on the meat thermometer.

Remove the cooking grids and place a drip pan on top of the upper flavor shields and position the pan directly beneath the food on the spit rod. Depending on the flavor you desire, place liquid in the pan such as, water, juices or wine, chop up onions or add garlic. As the juices fall from the meat they will mix with the liquid and evaporate directly into the meat, this will prevent you from basting as this is a self-basting system.

Do not let the drip tray dry out.



Place food in between the Forks and let the heavy side of the food fall to the bottom. Adjust the Counter Balance to the top.

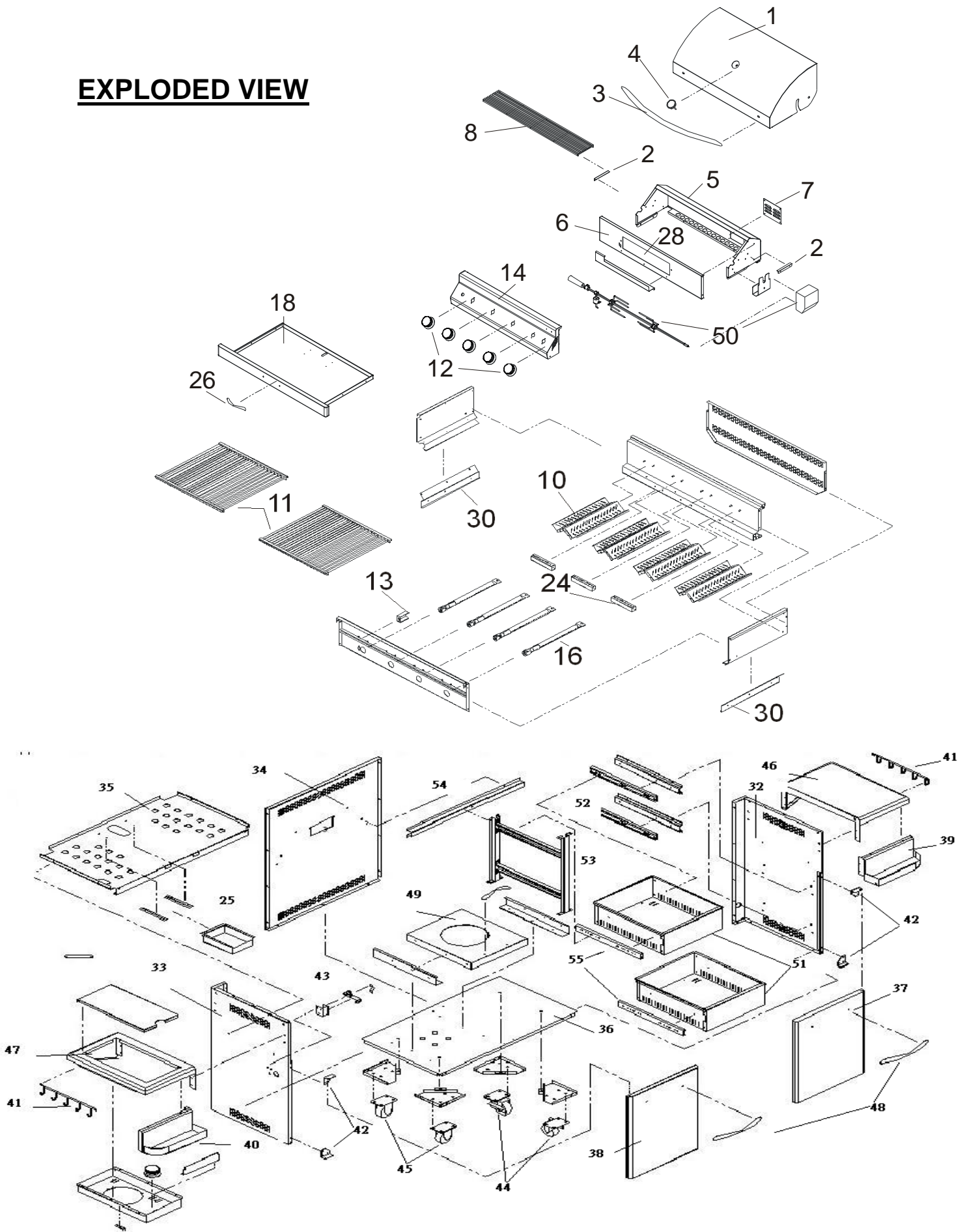
TROUBLE SHOOTING		
PROBLEM	POSSIBLE CAUSES	SOLUTION
Low heat or low flame when valve turned to high.	For propane – improper lighting procedure.	Ensure lighting procedure is followed carefully. All gas grill valves must be in the off position when the tank valve is turned on. Turn tank on for all pressure to equalize. See lighting instructions.
	For natural gas – undersized supply line.	Pipe must be sized according to installation code.
	For both gases – improper pre-heating.	Pre-heat grill with all main burners on high for 6-10 minutes.
Excessive flare-ups or uneven heat.	Flame tamers installed incorrectly.	Ensure flame tamers are located on pins in front and rear of firebox and inline with burners.
	Improper pre-heating.	Pre-heat grill with all main burners on high for 10-15 minutes.
	Excessive food waste on sear plates and in drip pan.	Clean flame tamers and drip pan regularly. Do not line pan with aluminum foil.
Burners burn with yellow flame, accompanied by smell of gas.	Possible spider web or other debris.	Thoroughly clean burner by removing. See maintenance instructions.
Rear burner will not light with igniter but will light with match.	Dead battery in igniter	Change battery by turning igniter cover clockwise to remove. Install one AA battery. Install the battery in the correct direction.
	Loose electrode wire.	Check electrode wire is firmly pushed onto the terminal on the back of the igniter.
	Improper gap at electrode tip.	Ensure the gaps between the electrode ends is between 1/8" and 3/16". The gap can be adjusted by carefully bending one of the spark electrode tips with a pair of needle nose pliers.
Humming Regulator.	Normal occurrence on hot days.	This is not a defect. It is caused by internal vibrations in the regulator and does not affect the performance or safety of the gas grill.

PARTS LIST

	Part Number	Part Description	Quantity
1	07-400	Outer Hood	1
2	04-3403	Warming Rack Bracket	2
3	07-402	Hood Handle	1
4	07-4505	Thermometer	1
5	07-403	Inner Hood	1
6	07-404	Rear Burner Mount	1
7	07-4508	Inner Hood Back Cover	1
8	07-405	Warming Rack	1
10	07-4506	Upper Flavor Shields	4/5
11	07-407	Cooking Grids	2/3
12	07-4512	Control Knobs	5/6
13	04-34514	Rear Burner Electronic Igniter	1
14	07-408	Display Panel	1
15	07-4516	Gas Valves	5/6
16	07-4517	Main Burners	4/5
17	07-409	Gas Manifold	1
18	07-410	Grease Pan	1
19	07-411	Firebox Front	1
20	07-412	Firebox Back	1
21	07-419	Firebox Side left	1
22	07-420	Firebox Side Right	1
23	07-413	Firebox Back Cover	1
24	07-4547	Cross Lighters	3/4
25	04-3423	Grease Cup	1
26	07-4524	Grease Pan Handle	1
27	04-3425	Grease Cup Rails	2
28	04-3426	Rear Burner Cell	1
29	07-4530	Rear Burner Orifice	1
30	07-4531	Grease Pan Glides	2

32	07-432	Pedestal Side Right	1
33	07-433	Pedestal Side Left	1
34	07-416	Pedestal Back	1
35	07-417	Pedestal Heat Shield	1
36	07-418	Pedestal Base	1
37	07-419	Pedestal Door Right	1
38	07-420	Pedestal Door Left	1
39	07-421	Condiment Bin Right	1
40	07-422	Condiment Bin Left	1
41	07-423	Side Shelf Utensil Holders	2
42	07-424	Door Hinges	4
		Gas Manifold Bracket and Fitting	
43	07-425		1
44	07-426	Castors Locking Swivel	2
45	07-427	Castors	2
46	07-428	Side Shelf Right	1
		Side Shelf Left (side burner)	
47	07-429		1
48	07-430	Door Handle	2
49	07-431	Tank Slide out (assembly)	1
50	07-432	Rotisserie Kit	1
		Rotisserie Rod	1
		Rotisserie Forks	2
		Rotisserie Rod Bushing	1
		Rotisserie Counter balance	1
		Rotisserie Motor	1
		Rotisserie Motor Mount	1
51	11-434	Drawer Slide out	2
52	11-435	Drawers Supports (Right)	4
53	11-436	Pedestal Baffle	1
54	11-437	Drawers Supports (Rear)	1
55	11-438	Drawers Supports (Left)	2

EXPLODED VIEW



Jackson Grills Limited Lifetime Warranty

Jackson Grills Inc. warrants the following materials and workmanship to be free of defects for as long as you own the grill. This covers the following components: main stainless steel outer hood, stainless steel cooking grills, stainless steel outer pedestal system, stainless steel handle, stainless steel burners and stainless steel cross lighters. Subject to the following conditions: During the first 5 years Jackson Grills will replace or repair at our option the defective parts free of charge. From 6 years to lifetime Jackson Grills will provide replacement parts at 50% of the current retail price.

Inner stainless hood, firebox, flame diffusers and warming shelf come with a 10-year warranty. During the first 5 years Jackson Grills will replace or repair at our option the defective parts free of charge. From 6 to 10 years Jackson Grills will provide replacement parts at 50% of the current retail price.

Other components: hose and regulator, thermometer, gas valves, knobs, fasteners, igniter and electrode, and all accessories will be provided free of charge during the two years of the limited warranty.

Limited Warranty subject to the following conditions and limitations:

- This factory warranty is non transferable and may not be extended whatsoever by any of our representatives.
- Jackson Grills Inc. warrants its products to the original purchaser only (NO EXCEPTIONS)
- This Limited Warranty does not cover any damage caused by misuse, lack of maintenance, hostile environments, accident, alterations, abuse or neglect, and parts installed by other manufacturers will nullify the warranty.
- This Limited Warranty does not cover and scratches, dents, corrosion, or discoloring by heat (all stainless steel will discolor), abrasive and chemical cleaners will also damage grill and grill surface.
- Should deterioration occur to the point of non-performance within the duration of the warranted coverage, a replacement will be provided in the first year only. This warranty extends to the repair or replacement of warranted parts that are defective in materials or workmanship provided that the product has been operated in accordance with the operation instructions and under normal conditions.
- After the first year Jackson Grills Inc. reserves the right to fully disengage all obligations with respect to this Limited Warranty by refunding the original warranted purchaser the original wholesale purchase price of the warranted parts.
- A licensed, authorized, service technician or contractor must install the gas grill. Installation must be done in accordance with the installation instructions included with the product.
- Jackson Grills Inc. or its parties will not be responsible for the installation, labor or any other costs or expenses related to the re installation of the warranted part, and such expenses are not covered by this warranty.
- Notwithstanding any provision contained in this Limited Warranty, Jackson Grills Inc. responsibility under this warranty is defined as above and it shall not in any event extend to any incidental, consequential, or indirect damages.
- Jackson Grills Inc. neither assumes, nor authorizes any third party to assume, on its behalf, any other liabilities with respect to the sale of this product.
- The bill of sale and proof of original ownership and serial number will be required when making any warranty claims from your authorized dealer. The warranty registration card must be returned within 30 days to register your warranty.
- Jackson Grills Inc. reserves the right to inspect any parts prior to approving warranty claim.
- Jackson Grills or its representatives shall not be liable for ANY transportation charges, labor charges or duties.

A special message to our customers

Thank you for choosing the Jackson Grill for your new gas grill. This appliance is designed with quality components and we are confident that it will provide you with years of excellent operation. Please take the time to read the whole manual and familiarize yourself with all of the features of the Jackson Grill. This manual also contains important safety information and operation instructions. Ensure that this manual remains handy to the barbeque for quick reference. If you need to obtain replacement parts for your Jackson Grill, contact your local dealer.

NOTE: It is normal for stainless steel surfaces to discolor due to high heat given off from the barbeque burners.

Please take the time to fill out and return the Ownership and Registration Card below. It can be mailed to:

Jackson Grills Inc.
#106-2480 Mt. Lehman Rd.
Abbotsford, BC
V4X 2N3

Or Fax: 1-604-855-5373

Please complete and return within 10 days. Thank you.

Mr. Mrs. Ms. Miss

First Name: _____ Initial: _____ Last Name: _____

Street: _____ Apt. #: _____

City: _____ State/Province: _____ Zip/Postal: _____

Phone: _____ Email: _____

Date of Purchase: _____ Dealer: _____

Model: _____ Serial #: _____

Comments: _____

Thank you for taking the time to fill out this Ownership and Registration Card