

JACKSON GRILLS TECHNICAL SPECIFICATIONS



PRODUCTS

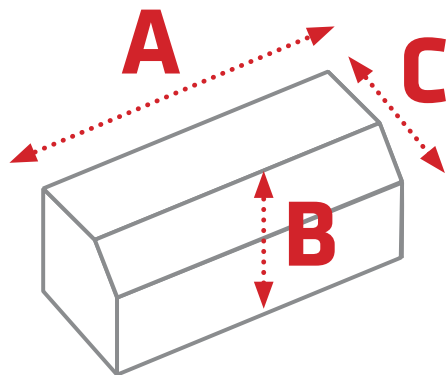
All the details you could want. Something missing? Give us a call, yes a phone call, we will gladly help.

PRODUCT	PAGE
Supreme Series	3
Lux Series	4
Keystone Series	5
Versa Series	7
Side Burners	8
Outdoor Appliances	9
Mountains West Fire Table	10
Patio Fire	11
Cutout Dimensions for Built In GRILLS	12
Cutout Dimensions for Built In ACCESSORIES	13
Kitchen Accessories	14
Boxed Shipping Dimensions	16
Warranty Details	18

SUPREME SERIES



FEATURES:	850	700	550
LP or NG models available (LP and NG hoses sold separate with carts)	•	•	•
10,500 BTU Stainless steel main burners - Thick wall 16 gauge (SS304)	5	4	3
One 15,000 BTU infrared rear rotisserie burner - flush mounted	•	•	•
Each main burner has an independent flame thrower ignition system	•	•	•
Rear burner electronic ignition system (AAA Battery required)	•	•	•
Stainless steel, double walled hood, seam welded with polished accents (SS304)	•	•	•
Center mounted temperature gauge	•	•	•
9mm Stainless steel cooking surface with VGS (Variable Grilling Surface) (SS304)	2 Lrg x 1 Med	2 Lrg	1 Lrg x 1 Med
Stainless steel flame diffusers (SS304)	5	4	3
Stainless steel one-piece seam welded control panel (SS304)	•	•	•
Two-piece gray accent control knobs c/w bezel	6	5	4
Stainless steel firebox c/w full drip tray (SS304)	•	•	•
Heavy duty rotisserie kit with LED light [Rated at 15lbs] (SS304)	•	•	•
Stow away warming shelf (SS304)	•	•	•
Cross over ignitor tubes	4	3	2
LED blue back-lit knob/bezel combination	•	•	•
Cart available (With fold down side shelves and soft close doors)		•	•
Full lockdown casters (2 of 4 casters) (SS304)		•	•
Heavy duty cover (Included with built in models; separate option for cart models)	•	•	•

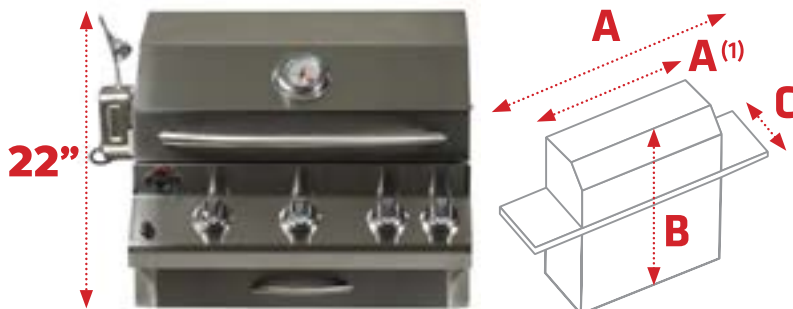


DIMENSIONS	850	700	550
WIDTH (A)	40 1/2"	34 1/2"	25 1/2"
HEIGHT (B)	22"	22"	22"
DEPTH (C)	23"	23"	23"
GRILL SURFACE	605 in ²	496 in ²	365 in ²
TOTAL COOKING AREA	839 in ²	688 in ²	508 in ²
TOTAL BTU	67,500	57,000	46,500
WEIGHT	148 lbs	137 lbs	111 lbs

LUX SERIES



FEATURES:	700	550	400
LP or NG models available. (LP and NG hoses included with carts)	●	●	●
15,000 BTU Stainless steel main burners - Thick wall 20 gauge (SS304)	4	3	2
Infrared rear rotisserie burner - mounted proud	●	●	●
Each main burner has an independent flame thrower ignition	●	●	●
Rear burner electronic ignition system (1 x AAA battery required)	●	●	●
Stainless steel, double walled hood, spot welded with polished accents	●	●	●
Center mounted temperature gauge	●	●	●
8mm Stainless steel cooking surface with VGS (Variable Grilling Surface) (SS304)	2 Lrg	1 Lrg x 1 Med	2 Med
Stainless steel flame diffusers (SS304)	4	3	2
Stainless steel one piece seam welded control panel	●	●	●
Two piece black accent control knobs c/w bezel	5	4	3
Stainless steel firebox c/w full drip tray with a stainless steel grease cup in the cart (SS304)	●	●	●
Stainless steel side shelves fold down side-shelves	●	●	●
Stainless steel pedestal system	●	●	●
Warming Shelf (SS304)	●	●	●
Two stainless steel double layer access doors	●	●	●
Heavy duty rotisserie kit with LED light [Rated at 15lbs] (SS304)	●	●	●
Full lock down castors [2 of the 4 castors]	●	●	●
Cross over ignition tubes (SS304)	3	2	1
Built in Version (Comes with cover)	●	●	●



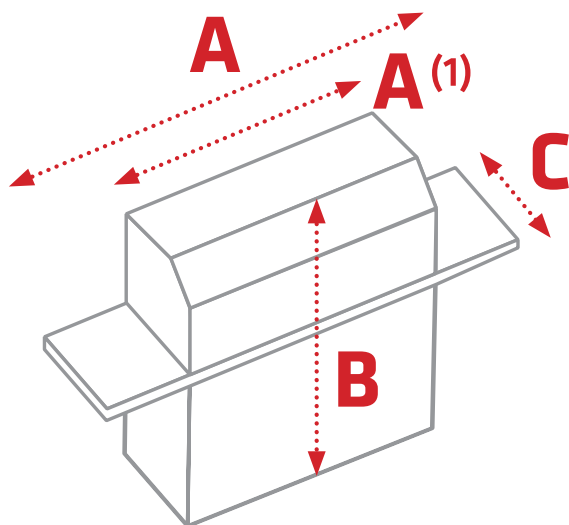
BUILT IN AVAILABLE FOR MODELS 550/700
(MODEL 550 SHOWN)

DIMENSIONS	700	550	400
WIDTH (A) SHELVES UP	60 1/2"	52"	45 1/2"
WIDTH (A1) SHELVES DOWN	44 1/2"	36"	29 1/2"
HEIGHT (B)	47 1/2"	47 1/2"	47 1/2"
DEPTH (C)	23 1/4"	23 1/4"	23 1/4"
GRILL SURFACE	496 in ²	365 in ²	268 in ²
TOTAL COOKING AREA	688 in ²	508 in ²	373 in ²
TOTAL BTU	73,500	58,500	37,500
WEIGHT	190 lbs	150 lbs	130 lbs
BUILT IN WEIGHT	112 lbs	86 lbs	

KEYSTONE SERIES



FEATURES:	700	550	400
LP or NG models available (comes with designated hoses)	•	•	•
11,000 BTU Stainless steel main burners - Thick wall 20 gauge (SS304)	4	3	2
Each main burner has an independent flame thrower ignition	•	•	•
Stainless steel, double walled hood, spot welded (SS304)	•	•	•
Center mounted temperature gauge	•	•	•
8mm SS304 cooking surface with VGS (Variable Grilling Surface)	2 Lrg	1 Lrg x 1 Med	2 Med
Stainless steel flame diffusers (SS304)	4	3	2
Stainless steel control panel	•	•	•
Two piece black accent control knobs c/w bezel	4	3	2
Stainless steel firebox c/w full drip tray with a stainless steel grease cup in the cart (SS304)	•	•	•
Powder coated pedestal system with stainless accent piece	•	•	•
Shelves have stainless pegs to hang grilling utensils (fold down)	•	•	•
Full lock down castors [2 of the 4 castors]	•	•	•
Cross over ignitor tubes (SS304)	3	2	1



DIMENSIONS	700	550	400
WIDTH (A)	60.5"	52.25"	46"
WIDTH (A1)	45 1/2"	37"	30 1/2"
HEIGHT (B)	47 1/2"	47.5"	47 1/2"
DEPTH (C)	22 1/2"	22 1/2"	22 1/2"
GRILL SURFACE	496 in ²	365 in ²	268 in ²
TOTAL COOKING AREA	688 in ²	508 in ²	373 in ²
TOTAL BTU	44,000	33,000	22,000
WEIGHT	155 lbs	129 lbs	105 lbs

A1 *SHELVES DOWN

GOT AN OLDER GRILL?



**WE GOT YOU COVERED!
WE STOCK PARTS FOR ALL
OF OUR NEW AND OLDER GRILLS.**

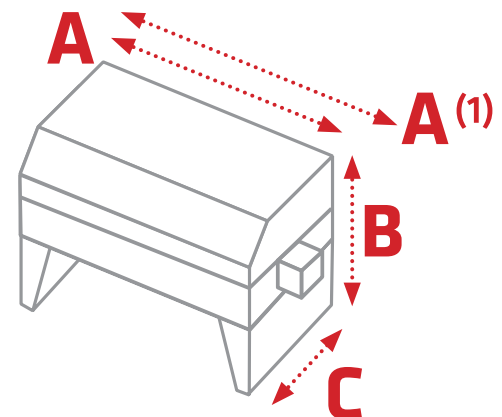
1-888-287-3333

VERSA SERIES



FEATURES:	100	75	50
100% 304 Stainless Steel	●	●	●
U Shaped burner stainless steel	●	●	
Straight Tube burner, stainless steel			●
(VGS) stainless steel cooking grates	4	3	-
(VGS) rolling grate stainless steel cooking grates	-	-	1
Electronic Ignition 1 x AAA Battery	●	●	
Electronic Ignition 1 x AA Battery			●
Stainless steel grease tray	●	●	●
LP or NG Conversions	●	●	●
Regulator for 1 lb LP tanks	●	●	●
Rail mount (option)		●	●
Rail mount adaptor (option)	●	●	●
Pedestal System Cart on wheels (option)	●		
Folding Side Shelf (option)	●		
Rotisserie Kit (option)	●		
Warming Shelf	●		
Leveling Legs	●		
Covers (option)	●	●	●
Thermometer (Center mount temperature Gauge)	●	●	
RV Hose 10" or 20" (option)	●	●	●
10' NG Hose (option)	●	●	●
5' LP Hose (option)	●	●	●

DIMENSIONS	100	75	50
WIDTH (A)	24"	22 ½"	20"
WIDTH (A1)	27"	25"	24"
HEIGHT (B)	17"	14 ½"	12"
DEPTH (C)	17"	15"	13"
GRILL SURFACE	260 in ²	188 in ²	155 in ²
TOTAL BTU	11,000	8,500	10,000
WEIGHT	43 lbs	33 lbs	22 lbs



A1 *Provided 1lb Tank LP Regulator

SIDE BURNERS



SINGLE SIDE BURNER
Commercial grade
(10,100 BTU LP / 8,300 BTU NG)
JGSB



DOUBLE SIDE BURNER
Commercial grade double side burner for
use in outdoor kitchens only.
(10,100 x 2 BTU LP / 8,300 x 2 BTU NG)
JGSBDBL



SEARING BURNER
Commercial grade sear burner
(10,700 BTU LP / 7,900 BTU NG)
JGSBSEAR

FEATURES:	SUPREME CART (USE "-B" WHEN ORDERING FOR SUPREMES)	SUPREME/LUX BUILT IN (USE "-B" WHEN ORDERING FOR A BUILT IN APPLICATION)	LUX CART
SINGLE SIDE BURNER			
JGSB-NG	●	●	●
JGSB-LP	●	●	●
SEARING BURNER			
JGSSEAR-NG	●	●	●
JGSSEAR-LP	●	●	●
DOUBLE SIDE BURNER			
JGSBDBL-NG		●	
JGSBDBL-LP		●	



***JC-11 SIDESHELF**
Knock out side shelf included when
ordering a side or sear burner for a cart model.

OUTDOOR APPLIANCES



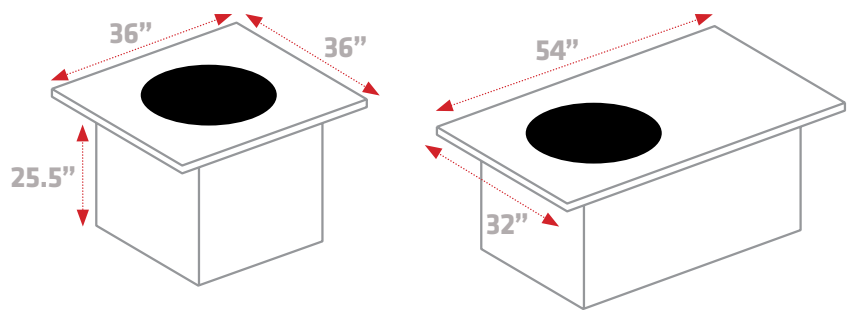
	15" BEVERAGE CENTRE GLASS DOOR SC900D	15" REFRIGERATOR STAINLESS STEEL BC900D	24" REFRIGERATOR STAINLESS STEEL BC16009	15" OUTDOOR ICE MAKER AZ-20A
DIMENSIONS	W:14 5/8" D:24 3/8" H:33 1/2"	W:14 5/8" D:24 3/8" H:33 1/2"	W:23 5/8" D:25 1/4" H:33 1/2"	W:14 1/2" D:23 1/2" H:33 1/2"
CUBIC FEET	2	2	3	1.6
304 GRADE STAINLESS STEEL WITH GLASS DOOR	●			
304 GRADE STAINLESS STEEL DOOR		●	●	●
ADJUSTABLE TEMPERATURE FROM 35-50°F		●	●	
ADJUSTABLE TEMPERATURE FROM 36 - 64 °F	●			
THREE FLAT STEEL SHELVES AND ONE BASKET		●	●	
FIVE WAVED SHELVES, THREE FLAT SHELVES, ONE BASKET	●			
BOTTOM BASKET FOR DISPLAYING WINE BOTTLES OR CANS	●			
BUILT IN HEATER FOR USE DURING WINTER	●	●	●	
ELECTRONIC CONTROLLER WITH LCD DISPLAY	●			
INTERIOR LIGHT	●	●	●	●
REVERSIBLE DOOR		●	●	●
MAX. ICE STORAGE 25 LBS				●
ICE MAKING CAPACITY 25-44 LBS PER DAY DEPENDING ON ROOM AND WATER CONDITIONS				●

Outdoor appliances are designed and built to handle extreme temperatures. Improved heating and cooling design around the compressor systems allow these appliances to endure the outdoors. The materials used, such as SS304 and door bearing seals, add to the longevity. All appliances include leveling legs.

MOUNTAINS WEST FIRE TABLE



The Mountains West Fire Tables are a collection of 3/4" granite topped steel based tables that allow for the Jackson Grill Patio Fire to be placed into them. These tables will be a nice addition to your sitting area on your deck. Your Jackson Grill Patio Fire has a beautiful home to reside in while not traveling with you on vacation. Choose from 2 sizes .



GLASS MATERIAL OPTIONS



FEATURES:

	TALL TABLE	COFFEE TABLE
Black powder coated base option	●	●
Stainless Steel (201SS) Base Option	●	●
Black Granite table top	●	●
Access Panel to 20 lbs LP Tank stored inside base	●	●
Accepts Jackson Grill fire pit (Sold separately)	●	●

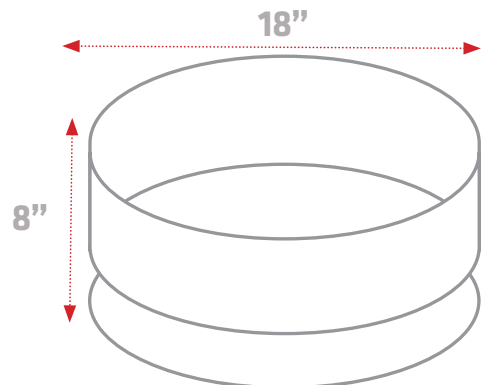


PATIO FIRE

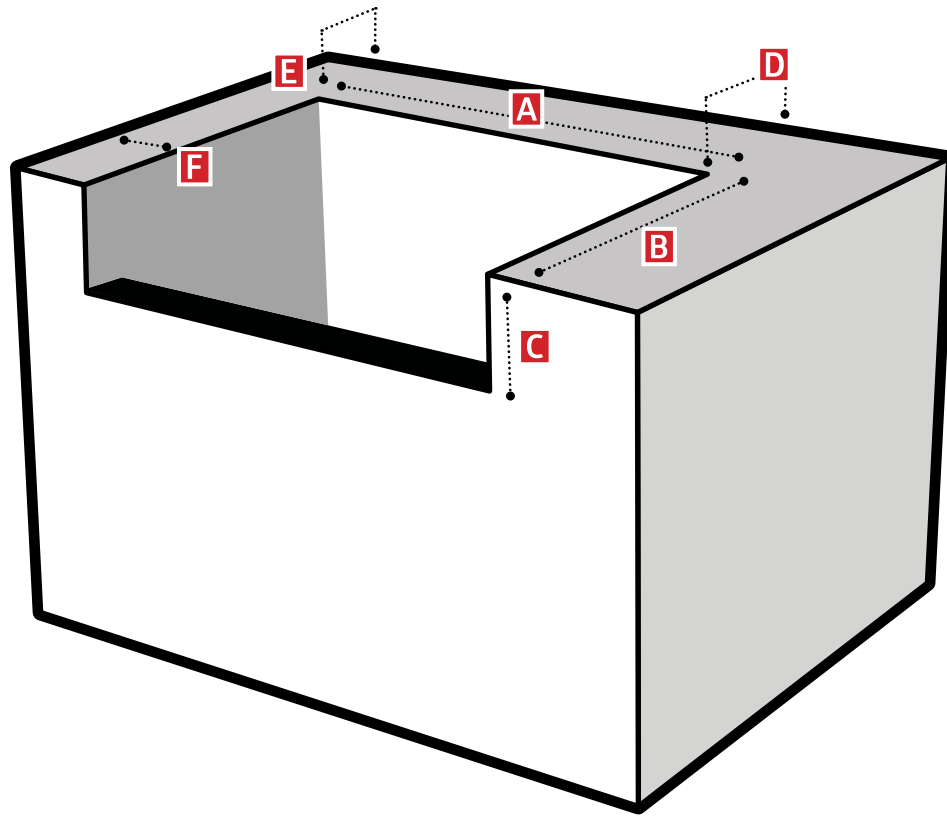


Enjoy a nice evening with friends and family around a campfire. The Jackson Grills Patio Fire provides heat and ambiance for every occasion. The 50,000 BTU burner provides an impressive flame that dances around a realistic ceramic log set. Its portability allows it to accompany you on any excursion you take. When at home set it into one of the Jackson Grills Fire Pit Tables. This combination is a nice feature in the center of your patio sitting area. An optional natural gas conversion kit is available.

FEATURES:	JGFP
Patterned Pan Burner	●
Lid cover with handle for portability	●
Stainless Steel wind guard	●
6'6" LP Hose/regulator with shut off valve	●
Manual light	●
Realistic ceramic log set	●
Weight	21 lbs



CUTOUT DIMENSIONS FOR BUILT IN GRILLS



MODELS	A WIDTH	B DEPTH	C HEIGHT	D	E	F
LUX JLS550 BI	24 ¾"	18 ¾"	10"	5 ½"	12"	15 ½"
LUX JLS700BI	33"	18 ¾"	10"	5 ½"	12"	15 ½"
SUPREME JSS550 BI	24 ¾"	17"	9 ¾"	5 ½"	12"	15 ½"
SUPREME JSS700BI	33"	17"	9 ¾"	5 ½"	12"	15 ½"
SUPREME JSS850BI	40"	17"	9 ¾"	5 ½"	12"	15 ½"

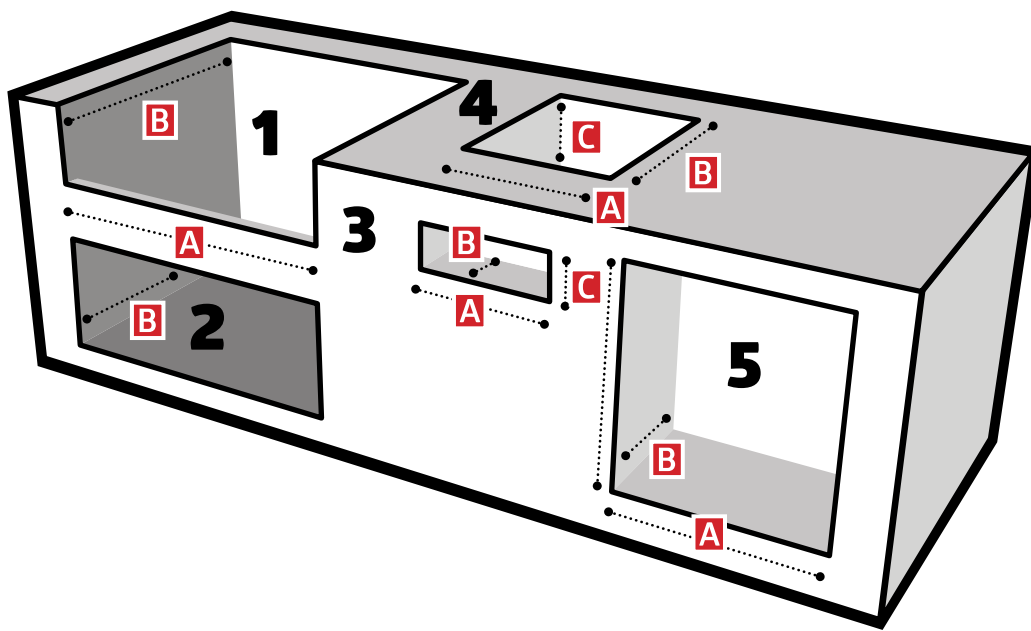
*B	Depth is measured from the finished face of the island/cabinet
*C	Height is measured from the finished counter top on the island/cabinet
*D	Minimum distance to rear vertical wall; required to fully open lid (from cutout)
*E/F	Minimum distance to rear/sides adjacent vertical combustibles (counter top MUST be non combustible)

Measurements are subject to change without notice

TECH TIP: Leave the cabinet that the grill head is inserted into open to encourage air flow. SSVENTS also encourage proper air flow.

Cabinets with Non Combustible Materials (Eg: metal studs, cement board, tiles, marble)

CUTOUT DIMENSIONS FOR BUILT IN ACCESSORIES



CUTOUT NUMBER	DESCRIPTION	A WIDTH	B DEPTH	C HEIGHT	SPECIAL NOTE
1	COCKTAIL	28 ¾"	24 ¼"	9 7/16"	There is no overlap trim along the Cocktail Centre's edge A
2	BIDBLDOORS	29"		20"	
2	BIDBLDOORS36	36"		20 ½"	
2	BICOMBODOOR	29 ⅛"	21 ¼"	20 ⅜"	Allow 14.5" from cutout to finished material L and R sides
2	BICOMBODOOR36	36 ⅜"	21 ¼"	20 ⅜"	Allow 18" from cutout to finished material L and R sides
2	BIDOORS (Horizontal)	24 ½"		17 ¼"	
3	PAPERHOLDER	15"	7"	9"	
3	BIACCESS	8 ½"		8 ½"	
3	SS VENT	11 ¼"		3 ¼"	This is a surface mount
4	ICECHEST	21 ¼"	20"	14"	
4	JGSB-NG/LP	9"	17"		
4	JGSBDBL	14 ½"	19"		Leave these items open below to allow space for gas hookups and encourage proper air flow.
4	JGSBSEAR	8 ¾"	16 ½"		
5	AZ-20A-1 (Ice Maker)	15 ⅛"	27 ⅝"	33 ½"	
5	BC900D-1 (Fridge)	15"	25"	33 ½"	
5	BC1600D-1 (Fridge)	24 ½"	25 ½"	34 ½"	
5	FRIDGETRIM			33 ¾"	Two sides only
5	BIDOORSV	17 ¼"		24 ½"	
5	BIDOORSSMVT	14 ½"		20 ⅝"	
5	DRAWER 2	18"	23 ½"	13 ½"	
5	DRAWER 3	18"	23 ½"	25"	
5	SC900D-1 (Bev. Center)	15"	25"	33 ½"	
5	TRASH BIN	18"	23 ½"	25"	

NOTE: These dimensions do NOT include plumbing or gas fitting clearances to combustibles. Measurements are subject to change without notice.

VERSA SERIES ACCESSORIES



VERSA SERIES TABLE TOP COVER

- JVS100** Table top cover JH-TTCOVERJVS100
- JVS75** Table top cover JH-TTCOVERJVS75
- JPG50** Table top cover JH-20



JVS100 PEDESTAL FULL COVER

JPGFLCOVER



JVS100 PEDESTAL

JPGPED



MULTI-PURPOSE VALVES

- JVS100** JVS-VALVE100NG Natural Gas
JVS-VALVE100LP Propane
- JVS75** JVS-VALVE75-NG Natural Gas
JVS-VALVE75-LP Propane
- JPG50** JPGVALVE NG/LP
comes with 2 interchangeable orifices
1XLP and 1XNG



VERSA SERIES RAIL MOUNT

for JVS75 and JPG50 VERSA-RAIL



JVS100 ROTISSERIE KIT

JVS-ROTTIKIT100



5' LP QCC HOSE & REGULATOR

Use with the specialty Versa LP valves listed on this page | 15LTC60GRQC | LPHOSE5



10' AND 20' RV

Hose c/w fittings for use with any Versa LP specialty valve to connect to a RV low pressure system RVHOSE-10, RVHOSE-20, multi-purpose valve sold separately.



NGHOSE

3/8" X 10' Hose with Quick connect
Use with any Versa Specialty Valve



JF70

3/8" X 10' Hose with Quick connect



JVS100 FOLDING SHELF

JVS-SIDESHELF100



VERSA SERIES MARINE PLATE

Fits all 3 Jackson Grills portables Adapt to Dickinson, Kuuma, Force Ten and Magma mounts | JPGMBRKT

ACCESSORIES

GRILL COVERS

New and Improved BBQ Grill Cover for the LUX and Supreme cart BBQ's. Made from 100% weatherproof material, 5 Year

warranty. JH-304 for the LUX400, JH-305 for LUX and Supreme 550, JH-306 for LUX and Supreme 700 carts.



JH-304 Fits JKS400 and JLS400.
Fits with side shelves folded down.



JH-306 Fits JKS700, JLS700 and JSS700 carts.
Fits with side shelves up.



JH-305 Fits JKS550, JLS550 and JSS550 carts.
Fits with side shelves up.



FEATURES:	JSS 700 CART	JSS 550 CART
Width Shelves Down	40"	32"
Width Shelves Up	62 1/2"	50 1/2"
Depth	22"	21 3/4"
Height	36"	36"
Weight	90 lbs	110 lbs

JSS700-CART / JSS550-CART

grill head. LP or NG hose available not included.



FIRE TABLE COVER
JP-JFPCOFFEETABLEC



FIRE TABLE COVER
JP-JFPTABLEC



CLEANING SOLUTION

101CN Abrasive stainless steel cleaner (not meant for new shiny stainless)



SMOKERBOX

The Smoker Box is constructed of heavy duty stainless steel. This option is great for giving your meals a wonderful taste. Fits all full sized JACKSON GRILLS(not portables)

BOXED (SHIPPING) DIMENSIONS

ITEM	DESCRIPTION	DIMENSIONS [L x W x H]	WEIGHT
AZ-20A-1	15" Outdoor Ice Maker	26 x 16 x 35	90 lbs
BC900D-1	15" Outdoor Refrigerator	24 x 22 x 36	78 lbs
BIACCESS	Small Access Door - 10" x 10"	16 x 16 x 8	6 lbs
BICOMBODOOR	30" Built-In Door/Drawer Combo	25 x 33 x 25	98 lbs
BICOMBODOOR36	36" Built-In Door/Drawer Combo	25 x 41 x 25	116 lbs
BIDBLDOORS	Double Access Doors	27 x 33 x 5	24 lbs
BIDBLDOORS36	36" Double Access Doors	43 x 26 x 5	31 lbs
BIDOORS	17" x 24" Built-In Horizontal Access Door	22 x 29 x 5	13 lbs
BIDOORSSMVT	14" x 20" Built-In Vertical Access Door	25 x 19 x 5	10 lbs
BIDOORSV	17" x 24" Built-In Vertical Access Door	22 x 29 x 6	14 lbs
BLACKGLASS	5 lbs black glass kit	6 x 6 x 6	5 lbs
BLUEGLASS	5 lbs blue glass kit	6 x 6 x 6	5 lbs
BOTTLEOPENER	Built-In Bottle Opener c/w catcher bin & towel holder	10 x 10 x 4	3 lbs
COCKTAIL	30" Cocktail Center	32 x 28 x 14	65 lbs
DRAWER2	2 Drawer System	25 x 21 x 17	49 lbs
DRAWER3	3 Drawer System	27 x 21 x 29	79 lbs
GRILLSTONE	CASE	13 x 17 x 18	52 lbs
GRILLSTONERD	Round Grillstone (ea.)	18 x 18 x 5	13 lbs
GRILLSTONESQ	Square Grillstone (ea.)	18 x 18 x 5	15 lbs
GRILLSTONE-VERSA	7 x 12 Grillstone (ea.)	14 x 9 x 3	7 lbs
FRIDGETRIM	Set of Stainless Steel Trims	35 x 4 x 3	4 lbs
ICECHEST	Stainless Steel 18" x 18" Drop In Ice Chest	24 x 24 x 16	53 lbs
JF-005	LP to NG Conversion Kit - JPG700 Premier Cart	31 x 7 x 7	7 lbs
JF-007	LP to NG Conversion Kit - JPG850 Premier Built-In	41 x 7 x 7	5 lbs
JF-010	LP to NG Conversion Kit - JPG700 Premier Built-In	N/A	N/A
JF-110	LP to NG Conversion Kit - JLS700 LUX Built-In	31 x 7 x 7	5 lbs
JF-111	NG to LP Conversion Kit - JLS400 LUX Cart	19 x 11 x 7	4 lbs
JF-112	NG to LP Conversion Kit - JLS550 LUX Cart	N/A	N/A
JF-113	NG to LP Conversion Kit - JLS700 LUX Cart	33 x 7 x 7	5 lbs
JF-114	NG to LP Conversion Kit - JPG700 Premier Cart	37 x 7 x 7	5 lbs
JF-115	NG to LP Conversion Kit - JPG850 Premier Built-In	N/A	N/A
JF-123	LP to NG Conversion Kit - JLS550 LUX Built-In	25 x 7 x 7	3 lbs
JF-134	NG to LP Conversion Kit - JLS550 LUX Built-In	25 x 7 x 7	3 lbs
JF-135	NG to LP Conversion Kit - JLS700 LUX Built-In	33 x 7 x 7	5 lbs
JF-136	NG to LP Conversion Kit - JPG700 Premier Built-In	37 x 7 x 7	4 lbs
JF-72	LP to NG Conversion Kit - JLS400 LUX Cart	9 x 15 x 8	6 lbs
JF-73	LP to NG Conversion Kit - JLS550 LUX Cart	31 x 7 x 7	6 lbs
JF-74	LP to NG Conversion Kit - JLS700 LUX Cart	30 x 9 x 8	8 lbs
JFP-LP	Jackson Portable Patio Fire	19 x 19 x 15	25 lbs

BOXED (SHIPPING) DIMENSIONS

ITEM	DESCRIPTION	DIMENSIONS [L x W x H]	WEIGHT
JFPTALLTABLE (Box 1)	Mountains West Fire Table	24" x 27" x 8"	44 lbs
JFPTALLTABLE (Box 2)	Mountains West Fire Table (Granite)	37" x 37" x 2"	86 lbs
JFPCOFFEETABLE (Box 1)	Mountains West Fire Coffee Table	42" x 27" x 8"	56 lbs
JFPCOFFEETABLE (Box 2)	Mountains West Fire Coffee Table (Granite)	55" x 33" x 2"	136 lbs
JGSB	Single Side Burner (Cart version, includes 1 x JC-11, for Lux Series)	11 x 21 x 9 (2 boxes)	15 lbs
JGSB-B	Cast Brass Single Side Burner (Built in and Supreme Cart)	21 x 11 x 9	15 lbs
JGSBDBL	Double Side Burner System	17 x 25 x 8	23 lbs
JGSBSEAR	Searing Burner Station (cart version, includes 1 x JC-11, 2 boxes)	21 x 11 x 9	14 lbs
JGSBSEAR-B	Searing Burner Station	21 x 11 x 9	14 lbs
JH-304	JLS400 Heavy Duty Cover	12 x 13 x 4	5 lbs
JH-305	JLS550 Heavy Duty Cover	12 x 13 x 4	6 lbs
JH-306	JLS700 Heavy Duty Cover	12 x 14 x 4	6 lbs
JKS400	2-burner Keystone Series Gas Grill	22 x 25 x 46 (no skid)	119 lbs
JKS550	3-burner Keystone Series Gas Grill	25 x 28 x 49	160 lbs
JKS700	4-burner Keystone Series Gas Grill	25 x 36 x 49	184 lbs
JLS400	2-Burner LUX Series Gas Grill	25 x 31 x 49	142 lbs
JLS550	3-Burner LUX Series Gas Grill	25 x 28 x 49	170 lbs
JLS550BI	3-Burner LUX Series Built-In Gas Grill	24 x 32 x 24	91 lbs
JLS700	4-Burner LUX Series Gas Grill	25 x 36 x 49	219 lbs
JLS700BI	4-Burner LUX Series Built-In Gas Grill	25 x 41 x 23	118 lbs
JPG50	Versa Portable Series JPG50	20 x 15 x 13	22 lbs
JPGPED	Versa 100 Pedestal System	26 x 21 x 29	40 lbs
JSS550BI	3-Burner Supreme Built-In Gas Grill	27 x 28 x 25	122 lbs
JSS550-CART	3-Burner Supreme Grill Base, Knock-down	23 x 27 x 34	98 lbs
JSS700BI	4-Burner Supreme Built-In Gas Grill	27 x 37 x 25	152 lbs
JSS700-CART	4-Burner Supreme Grill Base, Knock-down	23 x 35 x 34	117 lbs
JSS850BI	5-Burner Supreme Built-In Gas Grill	27 x 43 x 25	179 lbs
JVS100	Versa Portable Series JVS100	25 x 17 x 16	43 lbs
JVS75	Versa Portable Series JVS75	17 x 20 x 14	33 lbs
JVS-ROTISKIT100	JVS100 Rotisserie Kit	25 x 5 x 4	3 lbs
JVS-SIDESHELF100	JVS100 SS Folding Side Shelf	11 x 14 x 3	3 lbs
PAPERHOLDER	Paper Towel Holder	18 x 13 x 10	11 lbs
SC900D-1	15" Outdoor Beverage Center	17 x 27 x 36	88 lbs
SMOKERBOX	Smoker Chip Box	9 x 5 x 3	2 lbs
SSVENT	Stainless Steel Vent (ea.)	13 x 5 x 1	1 lbs
TRASHBIN	Trash Bin c/w PVC trash container included	21 x 28 x 29	55 lbs
VERSA-RAIL	Versa Series Rail Mount	11 x 15 x 5	3 lbs
VERSATRAY	Versa Clip on Tray w. cutting board	14 x 10 x 3	3 lbs
FIRE PIT GLASS	5 lbs white glass kit	6 x 6 x 6	5 lbs

WARRANTY DETAILS

PART OF GRILL	SUPREME*	LUX	KEYSTONE	VERSA
Stainless Steel Burners	10 PLUS 5	10 PLUS 5	10 PLUS 5	5 PLUS LT
Cart Cover (Sold Separately)	5	5	5	5
Flame Diffusers	5 PLUS LT	5 PLUS LT	5 PLUS LT	5 PLUS LT
Crosslighters	5 PLUS LT	5 PLUS LT	5 PLUS LT	N/A`
Main Outer Hood	Lifetime	10 PLUS 5	10 PLUS 5	5 PLUS 5
Stainless Steel Handle	Lifetime	10 PLUS 5	10 PLUS 5	5 PLUS 5
Warming Shelf	10 PLUS 5	10 PLUS 5	10 PLUS 5	5 PLUS 5
Outer Pedestal System	Lifetime	10 PLUS 5	10 PLUS 5	5 PLUS 5
Inner Hood	Lifetime	10 PLUS 5	10 PLUS 5	5 PLUS 5
Firebox	10 PLUS 5	10 PLUS 5	10 PLUS 5	5 PLUS 5
Stainless Steel Cooking Grates	10 PLUS 5	10 PLUS 5	10 PLUS 5	5 PLUS 5
Hose, Thermometer, Gas Valves, Knobs, Fasteners, Ignitor and Electrode	2	2	2	2
Regulator	2	2	2	1
Rotisserie Burner	10 PLUS 5	10 PLUS 5	N/A	N/A
All Accessories	2	2	2	2
Side Burners	2	2	N/A	N/A

