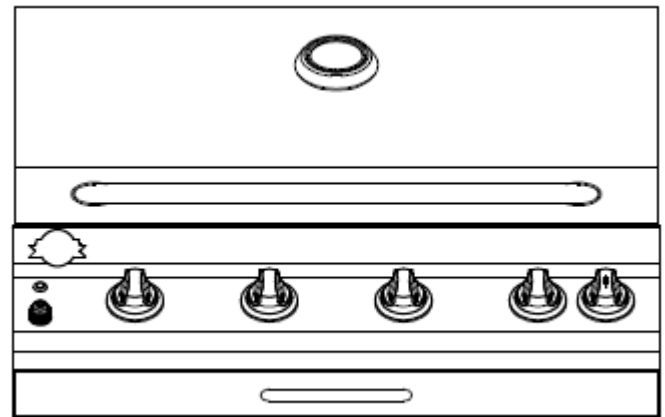
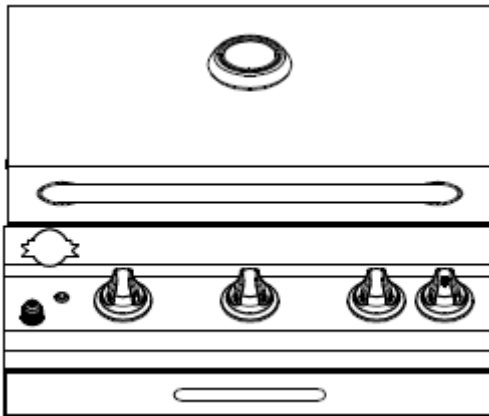
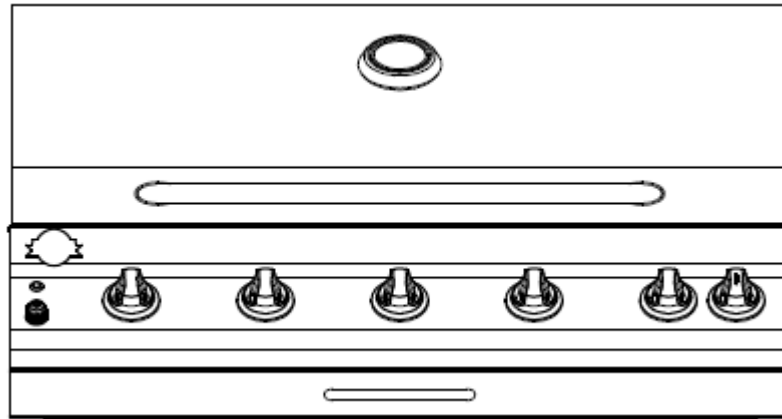




The ultimate outdoor grilling experience.

Phone: 1 (888) 287-3333 ♦ Fax: 1 (877) 855-5373 ♦ #106-2480 Mt. Lehman Road, Abbotsford, BC V4X 2N3

OWNER'S MANUAL for Supreme Built In



For Built-in Models:

- JSS550BI-LP** (Liquid Propane)*
- JSS550BI-NG** (Natural Gas)*
- JSS700BI-LP** (Liquid Propane)*
- JSS700BI-NG** (Natural Gas)*
- JSS850BI-LP** (Liquid Propane)
- JSS850BI-NG** (Natural Gas)


Important Notice

Please read ALL safety notices on Pg. 2-3 before assembling or operating this grill.

*Cart available purchased separately

!SAFETY WARNINGS!

IMPORTANT: Please read and understand all warnings and precautions before using your gas grill.



!DANGER!

If you smell gas:

- 1. Shut off gas to the appliance.**
- 2. Extinguish any open flame.**
- 3. Open lid.**
- 4. If the odor continues, keep away from appliance and immediately call your gas supplier or your fire department.**



!WARNING!

- 1. Do not store or use gasoline or other Flammable liquids in the vicinity of this or any other appliance.**
- 2. An LP cylinder not connected for use shall not be stored in the vicinity of this or any other appliance.**

- 1 The installation of this appliance must conform with local codes or, in the absence of local codes, with the National Fuel Gas Code, ANSI Z223.1/NFPA54, or the Natural Gas and Propane Installation Code, CSA B149.1
- 2 The installation of this appliance must be electrically grounded in accordance with local codes, or, in the absence of local codes, with the National Electric Code, ANSI/NFPA 70, or the Canadian Electrical Code, CSA C22.1
- 3 This appliance is for outside use only, and shall not be installed or used in any home, building, garage, or any other enclosed area.
- 4 This appliance shall not be installed in or on any boat or recreational vehicle.
- 5 Do not use this outdoor cooking gas appliance for any purposes other than intended. Not for commercial use.
- 6 Clearance to Combustibles must be maintained at all times, as specified in page 9 of this manual.
- 7 Always have a certified gas fitter install all Propane or Natural Gas fuel lines, Hose Quick Connect Boxes, Conversion Kits, or any other gas related items.
- 8 This grill is set up from the factory for use with either Propane Gas (LP), or Natural Gas (NG). Please ENSURE that your grill is correctly configured and labeled for the gas you intend to use.
- 9 Do not use gasoline, alcohol or other volatiles for lighting.
- 10 Propane (LP) gas supply cylinders must be constructed and marked in accordance with the specifications for propane gas cylinders of the US Department of transport (DOT) CFR 49 or the National Standards of Canada, CAN/CSA B339, Cylinders, Spheres and Tubes for the Transportation of Dangerous Goods.
- 11 For appliances designed to use a CGA 791 Propane Gas Connection: Place dust cap on cylinder valve outlet whenever the cylinder is not in use. Only install the type of dust cap on the propane cylinder valve outlet, this provided with the cylinder valve. Other types of caps may result in leakage of propane gas.
- 12 Never fill any LP Gas Cylinder more than 80 percent full. Dented and rusted propane cylinders may be hazardous and must be checked by a propane gas supplier, before use. Do not store a spare LP-gas cylinder under or near this appliance.
- 13 **WARNING:** if the information in #7, #8 and #12 are not followed exactly, a fire causing death or serious injury may occur.
- 14 To prevent propane from entering the regulator valve & causing a potential hazard, please ensure that the propane cylinder is at a lower level than the regulator when in use.

- 15 Please note that propane (LP) is explosive under pressure, heavier than air, and settles and pools in low areas, which can create an explosion hazard.
- 16 When configured for Natural Gas, please ensure that the supply pressure matches the required specifications in this manual.
- 17 The outdoor cooking gas appliance and its individual shutoff valve must be disconnected from the gas supply piping system during any pressure testing of that system at test pressures in excess of 0.5 psi (3.5 kPa).
- 18 The outdoor cooking gas appliance must be isolated from the gas supply piping system by closing its individual manual shutoff valve during any pressure testing of the gas supply piping system at test pressures equal to or less than 0.5 psi (3.5 kPa).
- 19 When connecting the electric cord, first connect the plug to the outdoor cooking gas appliance, and then plug the appliance into the outlet.
- 20 Use only a Ground Fault Interrupter (GFI) protected circuit with this outdoor cooking gas appliance.
- 21 Keep any electrical supply cord and the fuel supply hose away from any heated surfaces.
- 22 Inspect fuel supply hose for damage before each use. If excessive wear, abrasion, or cracks are present, the hose **MUST** be replaced with a genuine Jackson Grills replacement part, prior to using this outdoor cooking gas appliance (Contact your nearest dealer for assistance).
- 23 Do not let the cord hang over the edge of a table or touch hot surfaces.
- 24 To protect against electric shock, do not immerse cord or plugs in water or other liquid
- 25 Unplug electrical equipment from the outlet when not in use, and before cleaning. Allow appliance to cool before putting on or taking off parts.
- 26 Do not operate any outdoor cooking gas appliance with a damaged cord, plug, or after the appliance malfunctions or has been damaged in any manner. Contact the manufacturer for repair.
- 27 Never remove the grounding plug or use with an adapter of 2 prongs, and;
- 28 Use only extension cords with a 3 prong grounding plug, rated for the power of the electrical equipment, and approved for outdoor use with a W-A marking.
- 29 Do not use this grill until it is **COMPLETELY** assembled, all parts are securely installed, and leak testing has been completed.
- 30 Before using this outdoor cooking gas appliance, inspect the burners to ensure that they are correctly inserted over the orifices. Inspect by using a flashlight to view the burner inlets from underneath the front console. When correctly positioned, the gas valves outlets (with the orifices) will be inserted into the burner inlets. If necessary, remove and reinstall burner(s) correctly. (See Assembly Section, p.7 for more details).
- 31 Do not attempt to move this grill while lit. Always position your grill on a hard level surface away from any combustible materials, including wood, flammable liquids or vapors, plastics, etc.
- 32 Do not leave a lit grill unattended. Keep children and pets away from this grill at all times.
- 33 Always open the grill lid slowly & carefully as heat and steam in the grill can cause severe burns.
- 34 Do not touch any metal surfaces on this grill until it has completely cooled to avoid burns, unless wearing protective gear. (Pot holders, gloves, BBQ mittens, etc.)
- 35 It is essential to keep the grill clean and free of obstructions and debris. Check burner/Venturi tubes regularly for insects and insect nests; a clogged burner tube can lead to a fire beneath the grill.
- 36 Do not alter this grill in any manner.



WARNING: This product can expose you to chemicals including Chromium (hexavalent compounds), which are known to the State of California to cause cancer and birth defects or other reproductive harm. (For more information go to: www.P65Warnings.ca.gov)

TABLE OF CONTENTS

Certification & Testing:	5
Unpacking Your Grill:	5
Parts Checklist:	5
Contact us:	6
Owner Registration:	6
Tools Required for Assembly:	7
Assembling & Preparing Your Grill:	7-8
Cutout (Framing) Dimensions:	9
Clearance to Combustibles:	9
Propane Gas Connection:	10-12
Natural Gas Connection:	12
Leak Testing:	13
Installer Final Checklist:	14
Fuel Conversion:	14
Lighting Instructions:	14-16
Grilling and Rotisserie Cooking	16-17
Cleaning & Maintenance:	18-20
Storing your Grill:	20
Trouble Shooting:	21
Exploded Parts View:	22
Parts List:	23-24
Warranty:	25



CERTIFICATION & TESTING

This appliance has been tested by Intertek and has been tested to ANSI Z21.58-2015 Certified to CSA STD 1.6-2015 Outdoor Cooking Gas and certified for Canada and the USA.

UNPACKAGING YOUR GRILL

Please open your packaging carefully and set aside all loose components. Once unpacked, please match the parts to the list shown below. Check all components for possible damage before assembling your grill. Most of your portable grill has been factory assembled. However, there are still some items that must be unpacked and placed in the correct position, in your barbecue. For assembly instructions please refer to the next Section;

Parts Checklist:

!WARNING!

Exercise caution when handling stainless steel; metal edges may be sharp and can cause injury.

**TECH-TIP**

Do not throw away packaging until you have confirmed that all parts are present.

PARTS CHECKLIST:

	JSS550	JSS700	JSS850
Main Firebox	1	1	1
AAA Battery for Ignition	1	1	1
Flame Diffusers	3	4	5
Grease Tray Shields	3	3	5
Cook Grids	2	2	3
Warming Rack	1	1	1
Adaptor for Lights	1	1	1
Complete Rotisserie Kit	1	1	1
Owner's Manual	1	1	1
Spare Set of Rubber Lid Bumpers	1	1	1
Natural Gas Models: 4" Regulator	1	1	1

Special Message to Our Customers:

All of us at Jackson Grills thank you for choosing a Jackson Grill! This appliance was designed, engineered, and built with quality components and we are confident that it will provide you with years of excellent operation. Please take the time to read the entire manual and familiarize yourself with all the features of the Jackson Grill. This manual also contains important safety information and operation instructions. Please write your barbecue's serial # in the space below, and ensure that this manual remains handy to the barbecue for quick reference. To obtain replacement parts for your Jackson Grill, contact your local dealer. If you have any questions please call us anytime at the number below: (Please have your model and serial number on hand)

Grill Model: _____

Serial Number: _____

Date of Purchase: _____

Place of Purchase: _____

Type of Gas: **NG** **LP**

OWNER REGISTRATION: Please take the time to fill out and return a Warranty Registration Card, or on-line at www.jacksongrills.com or simply fill in the form below and mail or fax to: (Thank you for your help!)

Jackson Grills
#106-2480 Mt. Lehman Rd.
Abbotsford, BC.
Canada V4X 2N3

Customer Support (Tel): **1 (888) 287-3333 or**
Customer Support (E-mail): **info@jacksongrills.com**
Fax: **1 (877) 855-5373**
Parts Ordering: **Contact your Dealer**

Please complete and return within 10 days. Thank you.

Title: Mr. Mrs. Ms. Miss (Circle One)

First Name: _____ Initial: _____ Last Name: _____

Street: _____ Apt. #: _____

City: _____ State/Prov.: _____ Zip/Postal: _____

Phone: _____ Email: _____

Date Purchased: _____ Dealer: _____

Model: _____ Serial #: _____

Comments: _____

Dear Grill Owner; please keep this manual for future reference.

Tools Required for Assembly:

Please use the proper tools to simplify installation and prevent injury or damage to your grill.

■ Installer Supplied Tools:

- 1 x Large Phillips Screwdriver
- 1 x Medium Phillips Screwdriver
- 1 x OPTIONAL: Socket wrench with 6mm Socket and extension

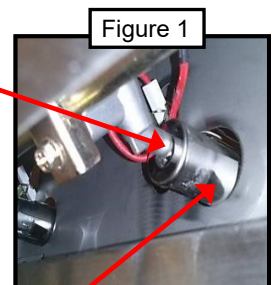


Assembling & Preparing your Grill:

■ CHECK BURNER FIT on ORIFICES:

1. Inspect burners to ensure that they are all inserted correctly onto the orifices (AKA the outlet of the valves; Fig 1)
2. If any burner is NOT correctly installed over the valve as shown in Fig 1, remove the burner retaining clip, remove the burner, and reinstall correctly.
3. Ensure each air shutter is set correctly – see correct flame characteristics on page 15 to see if it needs adjusting. Although we have pre-set the air shutters on the burners of this product, it may be necessary to adjust them for optimum performance. This is an outdoor appliance and geography and climate can necessitate an adjustment to the air shutters. The correct flame characteristics can be found on page 15 of your owner's manual.

Tip of brass orifice, on end of valve; correctly hidden inside burner.



Main burner

■ INSTALL FLAME DIFFUSERS & COOK GRIDS:

1. Remove the flame diffusers, grids & warming rack from the packaging.
2. Install each diffuser directly above each burner by setting them into the slotted ledges, in the front and rear of the firebox. (Fig. 2)
3. Once the flame diffusers have been installed, set the cooking grids on the upper ledges of the firebox in the grill, with the grill bars oriented front to rear.
4. Install the warming rack above cook grids, on the 2 brackets located on the left & right inner walls of the inner hood.

Figure 2



■ PREPARE REAR ROTISSERIE BURNER IGNITER:

1. Unscrew the plastic/rubber cap from the rear burner ignition module, and insert AAA battery (supplied) with the positive end facing out. (Fig. 3)
2. Re-install cap.

Figure 3



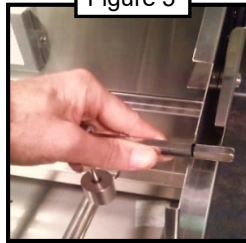
■ INSTALL ROTISSERIE KIT: (For Rotisserie Cooking)

1. Carefully remove the rotisserie kit parts from the packaging.
2. Install the motor mounting bracket supplied to the left hand side of the inner hood. (Fig. 4)
3. Install the motor on the motor bracket.
4. Place the forks and counter balance on the rotisserie rod in the desired location.
5. Place the rotisserie rod into the motor. Align the rotisserie rod groove over the right inner hood wall and drop it into the cut out provided on the inner hood. (Fig.5)

Figure 4



Figure 5



Rotisserie Kit installed



■ INITIAL CLEAN/WIPE DOWN:

Because we use high polish detailing, there may be some residue from the light oily cleaner we use to take off the protective plastic residue and masking. These marks can be easily cleaned using a 3M or Sprayway stainless cleaner and a microfiber cloth, always cleaning in the direction of the stainless steel grain. This is a food safe cleaner that is non-abrasive and will leave your BBQ gleaming. This cleaner can be used for future regular cleaning.

!WARNING!

WHEN ALL MAIN BURNERS ARE ON THE HIGH POSITION WITH LID CLOSED, DO NOT TURN ON THE BACK BURNER.

Cut Out (Framing) Dimensions:

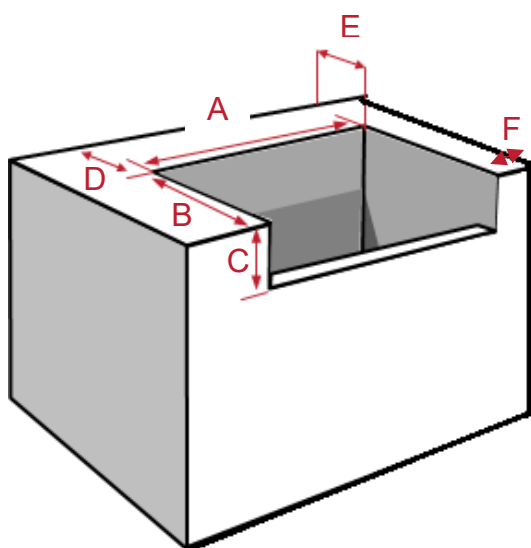
Installing in an outdoor cabinet:

This grill must be safely and correctly installed as a built in, before being used. Please refer to the chart below, for correct installation dimensions.

Framing must enclose the grill on the back and sides, but the bottom of the cut-out may be left open. The grill is supported by the two flanges (left and right), so no support underneath is required. NOTE: please ensure that fuel line openings provide adequate space for the lines.

CABINET FRAMING DIMENSIONS:

*NOTE: Rear cabinet back splash (if applicable) and counter top must be non-combustible.



Built In Grill Cutout Dimensions						
Cabinets with Non-Combustible Materials (Eg: metal studs, cement board, tiles, marble)						
MODEL	A Width	B* Depth	C* Height	D*	E*	F*
Supreme JSS 550 Bi	24 ¾"	18 ½"	9 ¾"	5 ½"	12"	15 ½"
Metric (cm)	62.87	47	24.77	13.97	30.48	39.37
Supreme JSS 700 Bi	33"	18 ½"	9 ¾"	5 ½"	12"	15 ½"
Metric (cm)	83.82	47	24.77	13.97	30.48	39.37
Supreme JSS 850 Bi	40"	18 ½"	9 ¾"	5 ½"	12"	15 ½"
Metric (cm)	101.6	47	24.77	13.97	30.48	39.37
*B	Depth is measured from the finished face of the island/cabinet. Notching of countertop front may be required.					
*C	Height is measured from the finished countertop down.					
*D	Minimum distance to rear vertical wall; required to fully open lid (from cutout).					
*E/F	Minimum distance to rear/side adjacent vertical combustibles					

Clearance to Combustibles:

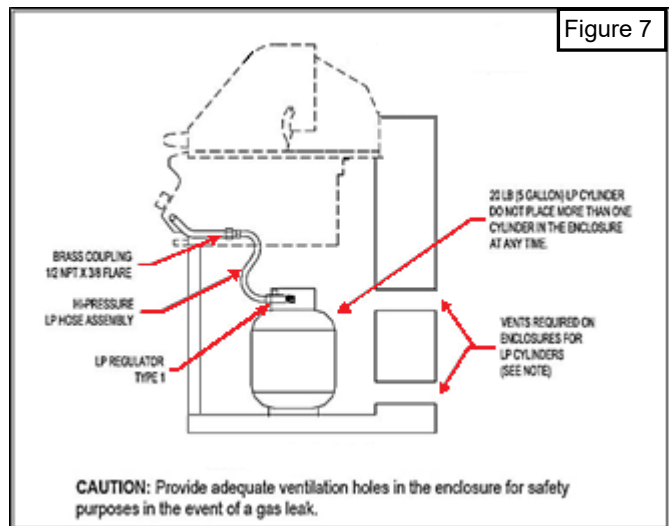
- A) **TOP:** This appliance shall not be located or used under overhead unprotected combustible construction. When installed under overhead combustible surfaces, a certified ventilating hood wider than the appliance shall be installed with a minimum distance of 36 inches above the cooking surface.
- B) **REAR:** from rear of unit to any combustibles behind grill: **12"/30.48 cm minimum**
- C) **SIDE:** from the outside edges the grill body, to any adjacent combustibles: **15 ½"/39.37 cm minimum**

!WARNING!

Please allow extra space when the grill is backed up to vinyl siding; exhaust exiting the rear of the grill can warp or melt the vinyl.

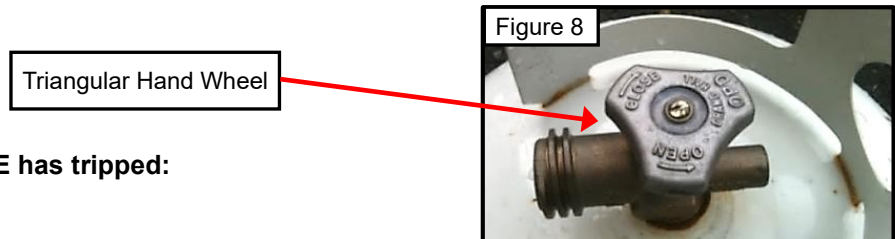
Propane Gas Connection:

- **FUEL TYPE:** The following instructions are for a Propane configured grill. **Operating Pressure: 11" WC.**
- **HOSE & REGULATOR:** The pressure supplied to the grill must conform to what is listed on the rating plate of the grills (11" WC). If the supply pressure is great, a regulator must be installed (regulator not included).
- **BUILT IN PROPANE GAS HOOK-UP:**
 1. The piping up to the gas grill is the responsibility of the qualified installer and piping should be located as shown below. (Fig. 7)
 2. A flexible metal connector pipe (ordered separately) simplifies the installation of the unit.
 3. Connect this flexible metal connector to the flare fitting on the end of the manifold.
 4. Connect the other end of the connector to the gas piping.
 5. The Flexible connector must not pass through a wall, floor, ceiling or partition, & is protected from damage.
 6. Do not use a hose to connect the unit except to connect the cylinder regulator to the piping system.
 7. Do not run hose in areas where heat damage could melt or burn the hose.
 8. The propane hose & regulator assembly must be connected with rigid pipe, copper tube, or an approved flexible metal connector which complies with Z21.4/CSA 6.10.
 9. The installation must comply with CAN B149.1 Natural Gas and Propane installation code in Canada, or to the National Fuel Gas code, ANSI Z223.1 in the United States.
 10. The gas supply pipe must be sufficiently sized to supply the BTU/h specified on the rating plate, based on the length of the piping run.
 11. If installing a side burner, a spate line must be branched off to the side burner unit and enter the side burner opening at the specified location.



- **BUILT IN PROPANE CYLINDER ENCLOSURES:**
 1. Built in cylinder enclosures which completely enclose the cylinder must have both of the following:
 - a. At least one unobstructed ventilation opening on the exposed exterior side of the enclosure located within 5 in (127mm) of the top of the enclosure. The opening must have a total free area of more than 20 square inches (130 cm square) for a 20lb (9.1kg) cylinder.
 - b. At least one ventilation opening on the exposed, exterior side of the enclosure located 1 in (25.4mm) or less from the floor level. The opening must have total free area of more than 10 inches squared (65 cm squared) for a 20 lb (9.1 kg) cylinder. The upper edge must be no more than 5 inches (127 mm) above the floor level.
 2. Every opening must be large enough to permit the entrance of a 1/8 inch (3.2mm) rod.
 3. The cylinder valve must be readily accessible for hand operation. A door on the enclosure to gain access to the cylinder valve is acceptable, provided it is non-locking and can be opened without the use of tools. The cylinder valve must be visible.
 4. There must be a minimum clearance of 2 inches (51mm) between the floor of the LP-gas cylinder enclosure and the ground.
 5. The enclosure must be designed so that the LP-gas cylinder can be connected, disconnected and the connections inspected and tested outside the cylinder enclosure. Any connections that can be disturbed when installing the cylinder in the enclosure must be accessible be for testing inside the enclosure.
 6. Maximum Cylinder Size: 20 lbs. (9 Kg)
 7. Measurement: (approximately) Diameter: 12"(30.5cm) X Height: 18" (45.7cm):
 8. USA: All LP cylinders used with this grill must be constructed and marked in accordance with the *Specifications for LP (Propane) Gas Cylinders* of the US Department of Transportation (D.O.T.). Refer to your propane cylinder collar for markings.
 9. CANADA: All propane cylinders used with this grill must be constructed and marked in accordance with the National Standard of Canada, CAN/CSA-B339; *Cylinders, Spheres and Tubes for the Transportation of Dangerous Goods and Commission*. Refer to your propane cylinder collar for markings

10. Cylinder supply system must be arranged for vapor withdrawal (see figure 8).
11. Cylinder must be equipped with a collar to protect the outlet valve.
12. Cylinders must be rust and dent free: a dented or rusty propane cylinder may be hazardous, and must be professionally inspected before use.
13. Cylinders must be equipped with QCC Type 1 (Quick Closing Coupling) outlet.
14. Propane Cylinders must be equipped with a safety relief valve.
15. UL listed Overfill Protection Device (OPD); This OPD safety feature is identified by a unique triangular hand wheel. **Only use cylinders equipped with this type of valve. (Fig. 8)**



■ **WHAT TO DO if SAFETY VALVE has tripped:**

1. Turn off Propane Cylinder.
2. Disconnect the Propane Hose and Regulator from the Propane Cylinder.
3. Reconnect the Propane Hose and Regulator to the Propane Cylinder.
4. Turn Gas Valve on slowly.

■ **HANDLING PROPANE CYLINDERS: (NOT Included with Grill)**

1. Government regulations prohibit shipping full Propane cylinders. New cylinders (not included) must be taken to a Propane filling station for filling.
2. A full cylinder is under high pressure; always handle with care, and transport secured and in an upright position. Protect the valve from accidental damage.
3. Do not tip the propane cylinder while connecting it to your grill's regulator
4. If the cylinder is tipped over while connected to your grill, shut it off and disconnect it; then have it checked before use.

■ **STORING PROPANE CYLINDERS:**

1. Place dust cap on cylinder valve outlet whenever the cylinder is not in use. Only install the type of dust cap on the cylinder valve outlet that is provided with the cylinder valve. Other types of caps or plugs may result in leakage of propane.
2. Store all propane cylinders outdoors in a well-ventilated area.
3. Do not store cylinders in direct sunlight or near a source of heat or combustion.
4. Propane cylinders must be REMOVED from your grill; when the grill is to be stored indoors.
5. Keep all propane tanks out of reach of children.
6. If your grill is stored outside, the propane tank may be left connected to the grill. Turn off propane tank valve when grill is not in use.

■ **INSTALLING & CONNECTING A PROPANE CYLINDER TO THE GRILL:**

1. Make sure tank valve is in its full off position (turn clockwise to stop).
2. Check tank valve to ensure that is equipped with external (male) threads (i.e. QCC-1 type connector).
3. Make sure all burner knobs are in their off position.
4. Remove the protective dust cap from the cylinder valve. Always reuse dust cap when storing a cylinder.
5. Inspect valve connection port and regulator; look for any damage or debris. Inspect hose for damage. Never attempt to use damaged or plugged cylinders. Contact your local propane gas dealer for repair.
6. Attach the Propane Hose and Regulator by hand-tightening the black plastic Quick Coupling Connector (QCC) nut clockwise to a positive stop. Do not use a wrench to tighten as this may damage the nut and cause leaks.
7. Open tank valve SLOWLY (counterclockwise) until fully open. Use a soapy water solution to check all connections for leaks before lighting grill. If a leak is found DO NOT use the grill. Turn gas off and call a professional gas fitter to repair the leak.

■ **DISCONNECTING PROPANE CYLINDER:**

1. Turn all the grill knobs to off.
2. Turn the tank valve off fully (turn clockwise to stop).
3. Detach the regulator from tank valve by turning the black (QCC) nut counterclockwise.
4. Install the protective cap back onto the threads of the propane cylinder valve.

!WARNING!

- 1 Never insert any foreign objects in valve outlet, as this may cause leaks.
- 2 Do NOT connect this grill to unregulated Propane systems such as in a motor home or camper trailer. System pressure **MUST** be regulated before hook up.
- 3 Do NOT use this grill until leak tests have been completed.
4. If a gas leak is detected and cannot be stopped, call the fire department.

Natural Gas Connection:

■ **FUEL TYPE:**

The following instructions are for Natural Gas configured grills ONLY. **Operating Pressure = 4" WC.**

■ **BUILT IN NATURAL GAS HOOK-UP: (Fig. 9)**

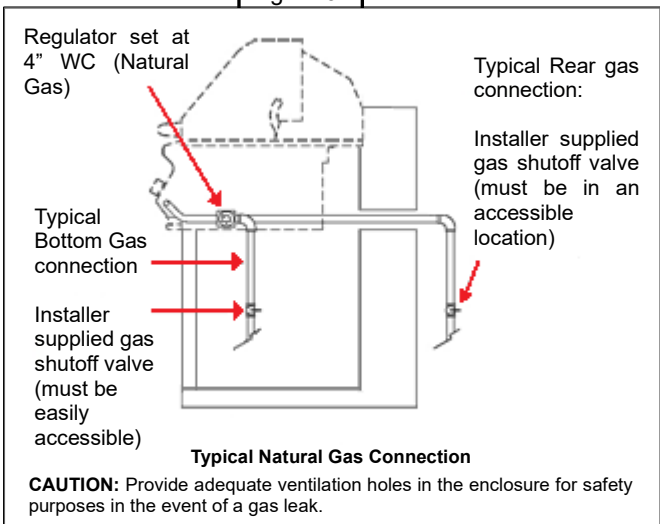
1. The piping up to the gas grill is the responsibility of the installer and piping should be located as shown below.
2. The connector must not pass through a wall, floor, ceiling or partition, and is protected from damage.
3. Do not use a hose to connect the unit except to connect the cylinder regulator to the piping system.
4. The gas supply pipe must be sufficiently sized to supply the BTU/h specified on the rating plate, based on the length of the piping run.

!WARNING!

- 1 Never insert any foreign objects in the quick release or Natural Gas hose, as this may cause leaks.
- 2 Pressure from the gas source for this grill and its appliance regulator (set at 4" WC) **MUST NOT** exceed 7 inches of Water Column; using a grill at higher pressures could result in property damage, and injury or death.**
- 3 Do NOT use this grill until leak tests have been completed.
4. If a gas leak is detected and cannot be stopped, call the fire department immediately.

**** NOTE; this is the maximum inlet pressure rating for the included Natural Gas Regulator, part number JF-99**

Figure 9



Leak Testing:

■ GENERAL:

1. Although all gas connections on the grill are leak tested at the factory, a complete gas tightness check must be performed at the installation site. This is mandatory due to possible mishandling during shipping (which could loosen fittings), or excessive pressure unknowingly being applied to the unit.
2. Periodically check the whole system for leaks, or immediately check if the smell of gas is detected.

■ BEFORE TESTING:

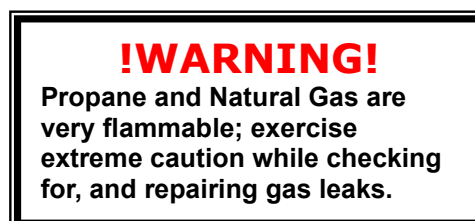
1. Make sure that all packing materials are removed from the grill.
2. Do not smoke while leak testing.
3. Never leak test with an open flame.
4. Make a soap solution with one-part dish soap and one-part water. Prepare a spray bottle, brush, or rag to apply the solution to the connections. For the initial leak test, make sure the propane cylinder is full.
5. Grill must be leak tested outdoors in well-ventilated area, away from ignition sources such as gas fired or electrical appliances, and flammable materials.

■ TESTING PROCEDURES:

1. Make sure all control knobs are in the "OFF" position.
2. Make sure the regulator is connected to the propane cylinder tightly. For Natural Gas, ensure that the gas hose is correctly connected at the quick release box pre-installed on the home. (Not included with grill).
3. Completely open propane cylinder valve by turning SLOWLY counter clockwise. If you hear a "POP" sound, turn gas off IMMEDIATELY, it indicates a heavy leak at the connection. Call your gas dealer or fire department.
4. Check every connection from the propane cylinder or natural gas quick release, up to and including the connection to the manifold pipe assembly (the pipe that goes to the burner) by brushing or spraying the soapy solution on the connections.
5. If soap bubbles appear, there is a leak. Turn off propane cylinder valve or natural gas quick release IMMEDIATELY and retighten connections, Turn on gas, and recheck for leaks.
6. Always close the propane cylinder valve and/or disconnect the Natural Gas hose, after leak test, when the grill is not in use.
7. Only those parts recommended by the manufacturer should be used on the grill. Substitution can void the warranty. Do not use the grill until all connections have been checked and do not leak.

■ LEAK TEST SAFETY TIPS:

1. Always check for leaks after every propane cylinder change.
2. Always check for leaks at every connection before use. (Including natural gas quick release hook up)
3. If any grease or hot products fall on the valve, regulator, hose or any part that conveys gas, shut gas off immediately, check the cause and rectify it. Perform a complete leak test before reusing the grill.
4. If the smell of gas is detected, immediately shut off gas or disconnect from source, and repair leaks before further attempts are made to use the grill.



Jackson Grills Support: 1-888-287-3333 or info@jacksongrills.com

Installer Final Check List:

- Ensure that clearances to combustible materials are maintained per specifications listed in this manual.
- Make sure that all internal packaging has been removed.
- Check that the burners are sitting properly on orifice end of the valves. (Pg.7)
- Check grill label to confirm that the gas configuration matches the fuel being supplied
- When using natural gas, ensure the appliance pressure (between NG regulator and main manifold) is at 4" WC with a maximum 7"WC entering the regulator.
- For propane grills confirm that inlet pressure is at 11" WC; NOTE that the original Jackson regulator and hose are preset to 11" WC.
- Ensure that all the gas knobs turn freely.
- Leak test grill and all gas connections.
- Grill test fired, and all functions working and in good order.
- User informed of gas supply shut off valve location.
- Owner's manual given to grill user.



Optional # JGSB Side Burner

Fuel Conversion:


This grill is convertible to Natural Gas or Propane when needed, with the installation of the appropriate Gas Conversion Kit. (See parts list, Pg. 22 & 23) The kit should be installed by a qualified gas fitter. Please contact your local dealer for information.

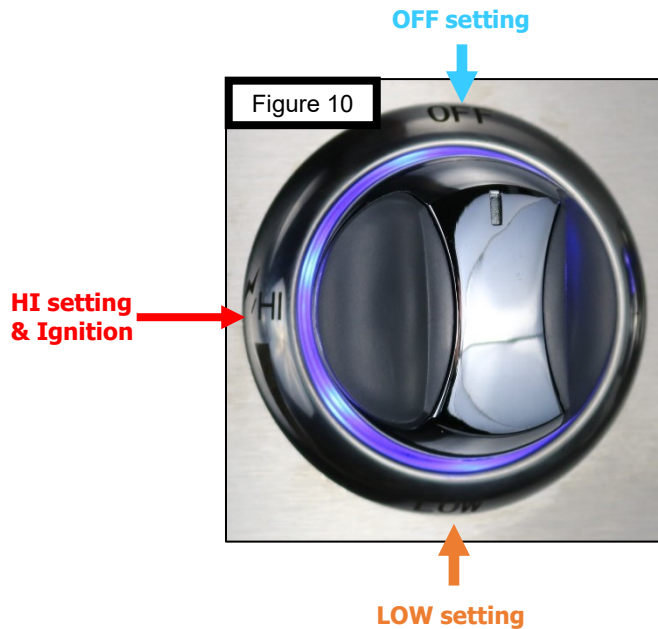
Grill Lighting Instructions:

1. BEFORE LIGHTING:

- Always inspect the gas supply hose before turning the gas "ON". If there is evidence of cuts, wear, or abrasion, it must be replaced before use. Use only a manufacturer approved replacement hose.
- Check all gas connections for leaks before each use. Do not light grill if gas odor is present.

2. TO LIGHT MAIN BURNERS OF THE GRILL: (see Fig. 10)

- Read instructions before lighting (see labels on top edge of the pull-out grease tray)
- Open lid prior to lighting your grill.
- Turn all knobs to "OFF" then open the propane cylinder valve, OR natural gas valve on your gas connection. NOTE: Always keep your face and body averted when lighting.
- Push in and rotate each control knob counter clockwise slowly, to the HI position. (When rotating the knob, rotate for a two to four second count: do NOT turn the knob rapidly) The built-in igniter  will click and spark, thus lighting the torch light pilot flame, then the main burner. If the burner does not light IMMEDIATELY turn the knob to off and wait 5 minutes for gas to dispel and repeat the lighting procedure.
- Follow match lighting instructions if burner can't be lit after repeating 3-4 times.

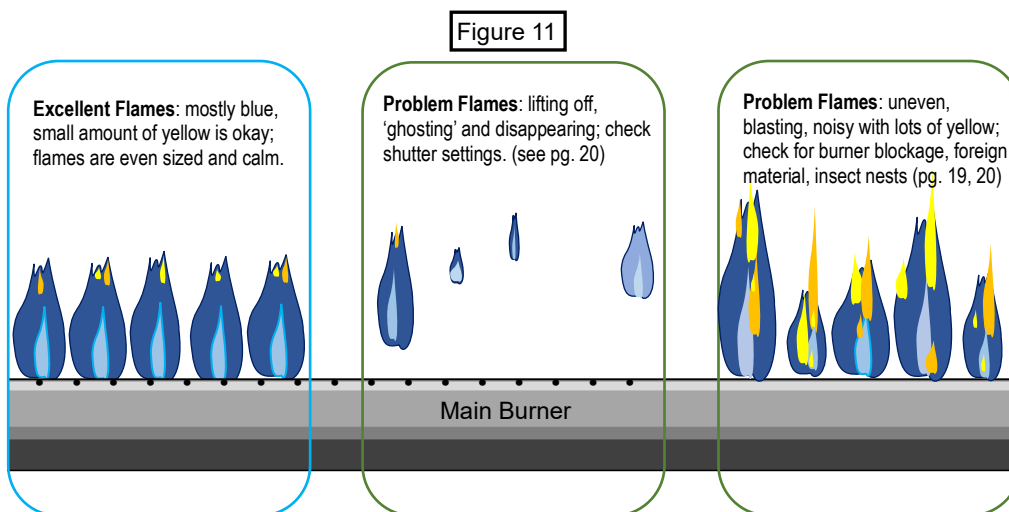


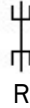
**3. TO LIGHT MAIN BURNERS USING A MATCH OR BARBECUE LIGHTER:
(Temporary Solution when Ignition is disabled)**

- Read instructions before lighting.
- Open the lid during lighting, and remove cook grids.
- Turn all knobs to “OFF” then open the propane cylinder valve, OR natural gas valve on your gas connection. NOTE: Always keep your face and body averted when lighting.
- A long stove match or BBQ lighter must be used to reach the burners.
- Do NOT drop a burning match into grill for lighting purposes; hold the match in the desired spot.
- Push and turn the main burner knob to the HI position, then release.
- Light burner by match at the front end of the burner tube. Make sure the burner lights and stays lit.
- If necessary, call your dealer or the Jackson help line, for assistance with repairing your ignition system.

4. FLAME CHARACTERISTICS: (Fig. 11)

- Check for proper burner flame characteristics. Each burner is adjusted prior to shipment; however, variations in the local gas supply may mean subtle adjustments may be necessary.
- Burner flames should be blue and stable. There should be no excessive noise, or flame lifting. If any of these conditions exist please call your Dealer. If the flame is yellow, it indicates insufficient air. If the flame is noisy and tends to lift away from the burner, it indicates too much air.
- NOTE: small yellow tips are okay.





5. LIGHTING THE ROTISSERIE BURNER:

- Open lid during lighting.
- Turn all knobs to “OFF” then open the propane cylinder valve or the natural gas valve at the natural gas quick release.
- Push and turn rear burner control knob to HI then push and hold igniter button until burner lights. Ignition should occur within 5 seconds.
- If burner does not light, wait 5 minutes for gas to clear and try again.
- Follow match lighting instruction if burner can’t be lit after repeating above steps 3-4 times.
- Once the burner is lit, the rotisserie burner will attain a red glow across its entire front surface.



6. LIGHTING THE ROTISSERIE BURNER BY MATCH:

- Read instructions before lighting.
- Open the lid during lighting.
- Push and turn the rear burner knobs slowly to the HI position, then release.
- Light by match with left hand. Make sure the burner lights and stays lit.

TECH-TIP
Remove Warming Rack before using your rotisserie burner; otherwise the rack may be damaged due to excessive heat.

Grilling and Rotisserie Cooking:

TOTAL GAS CONSUMPTION:

Total gas consumption per hour, per burner: **MODEL (ALL):**

	JSS550BI (3 main burners)	JSS700BI (4 main burners)	JSS850BI (5 main burners)
Main Burners	31,500	42,000	52,500
Rear Burners (15,000 BTU/hr ea)	15,000	15,000	15,000
Total BTU/hr	46,500	57,000	67,500

!WARNING!
Clean your grill often, especially the grease pan and grease cup. Failure to do so may cause a grease fire, resulting in injury or property damage!

■ FOOD SAFETY:

- Always adhere to the following tips to enjoy a safe and healthy outdoor grilling.
- Always use hot soapy water to wash hands, surfaces & utensils after processing raw meat.
- Always separate the raw meats from done foods to avoid cross contamination
- Always use clean utensils to handle the food.
- Always cook the meat thoroughly to kill germs. If in doubt, use a meat thermometer to inspect the inner temperature of the meat.
- Place all foodstuffs promptly into refrigerator once the meal is over, to prevent spoiling.

1. GENERAL:

- The thickness of the meat will affect the grilling time and results; whether rare, medium, or well done.
- The pre-heated temperature of the grill affects grilling time and results.
- Defrost meat in the refrigerator overnight. Do not use a microwave, as this dries out the meat.
- To get the juiciest meats, use appropriate cooking times and temperatures.
- Cut off any excess fat from the meat before grilling, as this will prevent flame flare ups.
- The hot grids sear the food, caramelizing it for optimal flavor. The longer your grill is the preheated, the faster the meat will sear.

2. USING THE GRILLING SURFACE (Cook Grids):

- Grilling requires high heat for searing and proper browning.
- Most foods are cooked at the HI heat setting for the entire cooking time.
- When grilling large pieces of meat or poultry, it may be necessary to turn the heat to a lower setting, after the initial searing. This allows the food to cook through without burning the outside.
- Foods cooked for a long time or basted with a sugary marinade may need a lower heat setting near the end of the cooking time.
- Turn the control knob(s) to HI and preheat the grill for 8 minutes. (Time may vary based on climate)
Note: Keep the grill closed during preheating.
- Place the food on the grill and cook to the desired doneness. Adjust heat setting, if necessary. The control knobs may be set to any position between HI and LOW.



3. USING THE ROTISSERIE KIT:

- Take off the rotisserie kit (spit rod & forks assembly) from the grill.
- Loosen and slide the left fork off of the spit rod.
- Trim all excess fat from the meat; too much fat can cause a high volume of melted fat to accumulate in the grease tray, resulting in the potential for a grease fire.
- Load the meat or poultry onto the spit rod; center the meat as much as possible.
- Re-install the left fork, and then slide the two forks into the meat to secure.
- Center the forks and meat on the spit rod, then tighten down the fork wing nuts
- If the meat has any loose portions, wrap the meat with butcher's string (never use nylon or plastic)
- Re-install the rotisserie kit into your grill, ensuring that the pointed end is fitted into the motor.

4. TIPS FOR ROTISSERIE COOKING:

- When using the rotisserie, the meat should be centered on the spit rod, after which it must be balanced. To balance the meat, first rotate the cut so that heaviest side is facing downwards.
- Next, position the counter balance so that it faces upwards. Secure in place by tightening the counter balance wing nut. Check the rotisserie function to ensure that the spit is rotating freely. It may be necessary to adjust the counter balance weight in or out, to achieve a smooth rotation.
- Place a drip pan on top of the upper flavor shields and position the pan directly beneath the food on the spit rod. Depending on the flavor you desire, place liquid in the pan such as; water, juices or wine, chop up onions or add garlic. As the juices fall from the meat they will mix with the liquid and evaporate directly into the meat, this removes the need for manual basting as this is a self-basting system. (Replenish as needed).
- You are now ready to rotisserie cook!
- Season meat or poultry as desired, then light the rotisserie burner (refer to instructions in this manual).
- Always use a meat thermometer to determine how well the meat is cooked. Insert the thermometer into the center of the meat. Do not allow the thermometer to touch a bone as this will not give an accurate reading on the meat thermometer. When checking poultry, the best location to insert the thermometer is in the center of the thigh muscle, next to the body.
- Close lid while cooking.



Cleaning and Maintenance:

CAUTION:

- Keep the grill area clear and free from combustible materials, gasoline and other flammable vapors and liquids
- Do not obstruct the flow of combustion and ventilation air.
- Keep the ventilation openings of the cylinder enclosure free and clear of debris.
- Ensure that the grill is completely cold before performing any cleaning and maintenance.
- Burning off deposits and soiling by turning the main burners on high for about 5 minutes after each use will keep excessive food residue from building up, but this DOES NOT replace proper cleaning and maintenance.

1. GENERAL INFO:

- This grill is made of stainless steel. There are many different stainless steel cleaners available. Always use the mildest cleaning method first, scrubbing in the direction of the grain.
- To touch up noticeable scratches in the stainless steel, sand very lightly with very fine emery cloth or 800 grit sandpaper, in the direction of the grain. Specks of grease can gather on the surfaces of the stainless steel and bake onto the surface, giving the appearance of rust.
- Use a cleaning pad (such as ScotchBrite) along with a stainless steel cleaner to remove these stains. (Rub in the direction of the stainless grain.) Final finish with a stainless steel polish, using a soft, dry cloth.



!WARNING!
Clean your grease pan & grease cup regularly. Failure to do so may cause a grease fire, resulting in injury or property damage!

2. GREASE MANAGEMENT SYSTEM:

- Your grill is designed to allow grease to flow along the bottom of the firebox, and collect in the grease collecting pan. (Fig. 12).
- It is highly recommended to clean the pan after every use to avoid any possibility of a grease fire.
- A small amount of sand or non-clumping odorless kitty litter can be added to the grease pan to absorb accumulated grease.



3. COOKING GRID CLEANING:

- If the grids are heavily soiled, turn your main burners on high for 10 minutes to burn off excess deposits. (Do NOT run the rotisserie burner at this time, otherwise your grill may overheat).
- After each grilling session, clean the cooking grids. Keep the cook surface from having excess residue buildup.
- For final cleaning, the cooking surface can be washed with hot soapy water, utilizing a Scotch Brite scouring pad for stubborn deposits.

TECH-TIP

Do NOT turn on the rotisserie burner when the main burners are being used to clean the grill; otherwise overheat damage to your barbecue may result.

TECH-TIP

Some cleaners may remove the silk screened labels on the console; use caution when cleaning the console.

TECH-TIP

When cleaning heavy soiling, always polish or scrub in the direction of the stainless steel grain.

4. EXTERIOR CLEANING:

- Use mild dish soap and hot water to clean the outside of the grill.
- Do not use any abrasive cleaners, scouring pads, strong degreasers etc., on the exterior of this grill; this will scratch the stainless finish.
- If using the Jackson Stainless Steel Cleaner to remove any surface corrosion be sure to go with the grain of the finish in order to not make swirls in the stainless steel, this product is mildly abrasive and is should be applied with a soft cloth.
- Specks of grease can adhere to the surfaces of the stainless steel and bake on; this will give the appearance of rust. Use an abrasive pad with stainless steel cleaner to remove.
- Sand heavy scratches lightly with 600 grit wet and dry sandpaper.
- Always rinse with clean hot water.
- Use a spray polish or stainless steel polish to add shine and help protect the exterior stainless steel from surface contaminants and any corrosion.

5. INTERIOR CLEANING:

- Remove the cooking grid, flame diffuser and the burner from the grill.
- Remove excess residue using a scraper and/or cleaning pad.
- Spray inside the firebox with oven degreaser and let stand for 5 minutes.
- Use a wire stainless steel brush to loosen up grease and food residues.
- Wash with soapy water, and rinse with clean hot water, then wipe dry.
- Leave lid open to allow the grill to air dry completely.

TECH-TIP

Many cleaners can be caustic, so for final cleaning use soapy hot water followed by a rinse with clean hot water.

6. MAIN BURNER CLEANING & MAINTENANCE:

- Check to ensure that all gas knobs and valves are off.
- Remove burners and inspect inner and outer surfaces for contamination and debris.
- Clean the exterior burner surface with a stiff stainless steel grill brush.
- Make sure all of the burner port holes are free of obstruction by using a large paperclip to poke the holes out. This is **extremely important** to prolong the lifespan of the stainless steel burner.
- Check inside each burner for insects and insect nest; clean out with a piece of stiff wire.
- Clean mesh air inlets (shutters), at the inlet end of each burner.

7. FLAME DIFFUSER MAINTENANCE:

- Remove residue and larger pieces of food using a stainless steel brush, scraper and or cleaning pad after each use.
- If desired, cleaners can be used for the final cleaning; then rinse with clean hot water.
- This will reduce flare ups and prevent premature break down.

!WARNING!

When reinstalling the main burners after cleaning, the orifices of the valves **MUST** be located in the center of each burner. Failure to do so could cause flames to escape around the burner inlets, which may result in damage or injury.

Grill Storage:

- Clean your grill thoroughly before storage as this will result in greater longevity.
- When propane cylinder is left connected, store the grill outdoors and out of reach of children.
- Store the grill in a dry indoor location **ONLY** after the propane cylinder is turned off and removed.
- All propane cylinder must be stored outdoors, out of the reach of children. **NEVER** store the cylinder in a building, garage or any other enclosed area.
- Disconnect Natural Gas Hose and carefully stow below your grill.
- Always store your grill with cover installed. Store in a dry area and check periodically for moisture that may cause mold if you are not using the grill for prolonged periods.



Trouble Shooting:

A) SPIDER AND INSECT WARNING:

Spiders and insects can nest in burners during storage. This hazard has been known to cause grill fires. Clean the main burners periodically, as well as before storing the grill.

B) BURNER INSPECTION:

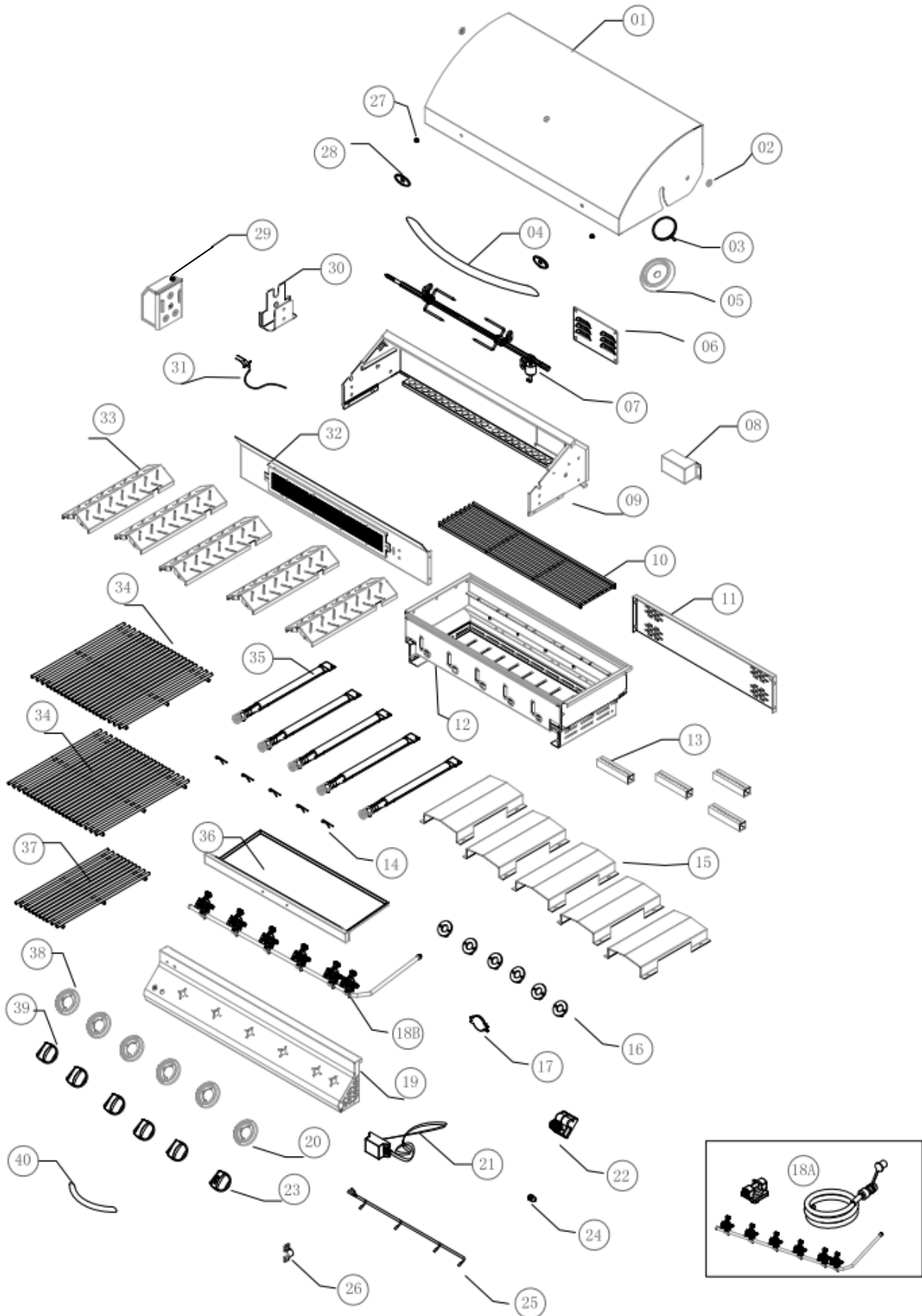
Inspect burners each time you use your grill, or immediately if one of the following occurs:

1. Yellow flames with burnt insect odor.
2. Temperature too low or heats unevenly
3. The burners make popping noises.

PROBLEMS	POSSIBLE CAUSE	SOLUTIONS
Torch Light pilot flame will not light:	Electrode contaminated w. deposits:	Use an old tooth brush, some alcohol, and emery paper to clean electrode tip and insulator.
	Electrode or wire damaged & no spark:	Replace gas valve assembly complete with wire.
	Electrode wire loose or fallen off:	Reconnect electrode wire at gas valve.
	Plugged Torch Light orifice or outlet tube:	Clean torch tube, and/or unplug orifice with fine wire.
	Natural Gas outlet or propane tank delivering low or no fuel:	Check Nat Gas pressure. Check propane tank empty? Propane Safety Valve tripped (see PP 9).
Main Burner won't light after torchlight lights successfully:	Burner orifices plugged/caked w. residue:	Check and clean burners and main valve orifices.
	Natural Gas outlet or propane tank delivering low or no fuel:	Check Nat Gas pressure. Check propane tank empty? Propane Safety Valve tripped (see PP 9).
	Air Shutters set incorrectly:	Re-set burner air shutters until flame characteristics are similar to pg. 15.
	Burner(s) incorrectly installed and misaligned with valve orifice:	Re-install burner(s) correctly so that the orifice is centered in the burner's inlet.
	Defective Gas Valve(s):	Replace gas valves as needed.
No Spark at rear rotisserie burner:	Dead battery in rear burner ignition switch:	Replace battery by unscrewing switch cap
	Defective ignition switch/module:	Replace ignition switch/module
	Contaminated rotiss burner electrode	Use an old tooth brush, some alcohol, and emery paper to clean electrode tip and insulator.
Inadequate Heat:	Defective regulator	Replace NG Regulator OR Propane Hose & Regulator
	Low inlet Pressure	Check NG gas pressure, check propane tank empty?
	Gas hose bent or kinked:	Smooth out the hose and check for damage
	Grill not preheated:	Preheat the grill for 15 minutes, minimum
Gas valve hard to turn:	Corrosion at valve stem:	Remove knob and lube with penetrating oil; work valve back and forth to loosen; lube regularly.
Excessively yellow or orange flames:	Incomplete combustion:	Re-set burner air shutters so flame characteristics are similar to pg. 15.
Grease Fire or Excessive Flame Flare-ups:	Excess fat on meat causes fat fire flare-ups:	Trim fat off meat before grilling (NOTE: check and empty grease tray regularly)
	Excess Grease deposits:	Regularly clean Firebox, Grease Pan, and Grease Cup NOTE; check grease cup prior to each use of grill.
Flame lifts off burner while in operation:	Gas pressure too high:	Call a professional gas fitter or Propane dealer
	Air Shutters set incorrectly:	Re-set burner air shutters until flame characteristics are similar to pg. 15.
Knobs getting too hot:	Wind blowing from behind the grill:	Reposition grill or create wind barrier.
	Grill is not level:	Reposition grill.

If you need help trouble shooting, please call the dealer you purchased your grill from or Jackson Grills at 1-888-287-3333.

Exploded View: JSS Built-In



Parts List: JSS Built-In

Loc.	Description	Part #	JSS550	JSS700	JSS850
1	Hood	JH-200	1		
1	Hood	JH-201		1	
1	Hood	JH-202			1
2	Hood Spacer and Washer	JH-203	2	2	2
3	Thermometer	JT-10	1	1	1
4	Hood Handle	JH-204	1		
4	Hood Handle	JH-205		1	
4	Hood Handle	JH-206			1
5	Thermometer Bezel	JT-200	1	1	1
6	Rotisserie Orifice Cover	JH-207	1	1	1
7	Rotisserie Spit Rod	JR-200	1		
7	Rotisserie Spit Rod	JR-201		1	
7	Rotisserie Spit Rod	JR-202			1
8	Rotisserie Electrode Collector	JE-200	1	1	1
9	Inner Hood	JH-208	1		
9	Inner Hood	JH-209		1	
9	Inner Hood	JH-210			1
10	Warming Rack	JG-200	1		
10	Warming Rack	JG-201		1	
10	Warming Rack	JG-202			1
11	Rear Removable Panel on Firebox	JH-211	1		
11	Rear Removable Panel on Firebox	JH-212		1	
11	Rear Removable Panel on Firebox	JH-213			1
12	Firebox (tub)	JH-214	1		
12	Firebox (tub)	JH-215		1	
12	Firebox (tub)	JH-216			1
13	Cross Lighters	JH-217	2	3	4
14	Burner Cotter Pin	JH-218	3	4	5
15	Grease Pan Shield	JH-219	3	3	5
16	LED light	JE-201	4	5	6
17	Jackson Logo	JH-02	1	1	1
18A	Manifold Assembly (NG)	JF-200	1		
18A	Manifold Assembly (NG)	JF-201		1	
18A	Manifold Assembly (NG)	JF-202			1
NS	Valve: Main JSS NG (OS 1.5mm) - part of Manifold Assembly	JF-211	3	4	5
NS	Valve: Rotiss JSS NG (OS 1.9mm) - part of Manifold Assembly	JF-213	1	1	1
18B	Manifold Assembly (Propane)	JF-203	1		
18B	Manifold Assembly (Propane)	JF-204		1	
18B	Manifold Assembly (Propane)	JF-205			1
NS	Valve: Main JSS LP (OS 0.97mm) - part of Manifold Assembly	JF-212	3	4	5
NS	Valve: Rotiss. JSS LP (OS 1.13mm) - part of Manifold Assembly	JF-214	1	1	1

Loc.	Description	Part #	JSS550	JSS700	JSS850
19	Control Panel Assy. (Console)	JH-220	1		
19	Control Panel Assy. (Console)	JH-221		1	
19	Control Panel Assy. (Console)	JH-222			1
20	Rotisserie Bezel	JK-202	1	1	1
21	Electric Adapter for Lights	JE-202	1	1	1
22	Rotisserie Ignition Module	JE-203	1	1	1
23	Rotisserie Knob	JK-202	1	1	1
24	Light Switch	JE-204	1	1	1
25	Light Cable	JE-205	1		
25	Light Cable	JE-206		1	
25	Light Cable	JE-207			1
26	Manifold Bracket	JH-223	1	1	1
27	Lid Bumper	JH-224	2	2	2
28	Hood Handle Insulator	JH-225	2	2	2
29	Rotisserie Motor	JR-05	1	1	1
30	Rotisserie Motor Bracket	JR-10	1	1	1
31	Rotisserie Burner Electrode	JE-208	1	1	1
32	Rotisserie Burner	JB-201	1	1	
32	Rotisserie Burner	JB-202			1
33	Flame Diffusers	JD-200	3	4	5
34	Cooking Grid (Large)	JG-203	1	2	2
35	Main Burner	JB-200	3	4	5
36	Grease Pan	JH-226	1		
36	Grease Pan	JH-227		1	
36	Grease Pan	JH-228			1
37	Cooking Grid (small)	JG-204	1		1
38	Main Knob Bezel	JK-201	3	4	5
39	Main Knob	JK-200	3	4	5
40	Grease Pan Handle	JH-229	1	1	1
NS	Natural Gas Regulator (NG)	JF-99	1	1	1
NS	Rotisserie Fork Kit	JR-203	1	1	1
NS	Rotisserie Balancer	JR-204	1	1	1
NS	Cover	JH-303	1		
NS	Cover	JH-37		1	
NS	Cover	JH-38			1
NS	LP to NG Conversion Kit - JSS550. No Hose Included. (optional, not incl.)	JF-216			
NS	NG to LP Conversion Kit – JSS550. No Hose Included. (optional, not incl.)	JF-215			
NS	LP to NG Conversion Kit - JSS700. No Hose Included. (optional, not incl.)	JF-218			
NS	NG to LP Conversion Kit - JSS700. No Hose Included. (optional, not incl.)	JF-217			
NS	LP to NG Conversion Kit - JSS850. No Hose Included. (optional, not incl.)	JF-220			
NS	NG to LP Conversion Kit - JSS850. No Hose Included. (optional, not incl.)	JF-219			

*NS = Not Shown

Limited Lifetime Warranty:

MODEL NO: Supreme JSS550BI-LP/NG; JSS700BI-LP/NG; JSS850BI-LP/NG

Jackson Grills warrants the following materials and workmanship to be free of defects for as long as you own the grill subject to the conditions below:

Lifetime: (from date of purchase); Jackson grills will repair or replace (at our option), any defective stainless steel:

- Main Outer Hood
- Handle
- Outer Pedestal System
- Inner Hood

10 year plus 5 Warranty: (from date of purchase); Jackson Grills will repair or replace (at our option), any defective stainless-steel part from the list below for the first 10 years. From 11-15 years, Jackson Grills will provide 50% of the current retail price of the defective stainless-steel part from the list below:

- Burners
- Cooking Grates
- Rotisserie Burner
- Warming Shelf
- Firebox

First 5 years: (from date of purchase); Jackson Grills will replace or repair (at our option), any defective part in the list below, at no charge. From 6 years to lifetime, any defective part in the list below will be replaced or repaired (at our option) at 50% of the current retail price the following parts:

- Flame Diffusers
- Crosslighters

2 Year Warranty: (from date of purchase); Jackson Grills will replace or repair (at our option), any defective part from the list below, at no charge.

- Natural Gas Regulator
- Thermometer
- Gas valves
- Knobs & fasteners
- Igniter and electrode
- Accessory parts
- Lights
- Rotisserie Kit
- Rotisserie Motor

Limited Warranty Subject to the following Conditions & Limitations:

(NOTE: Shipping and Labor Charges are NOT covered)

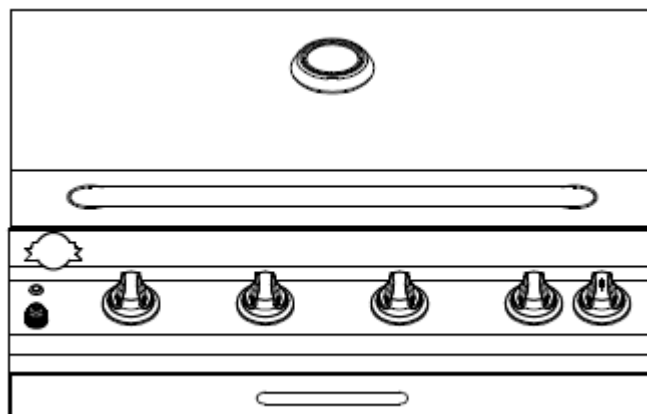
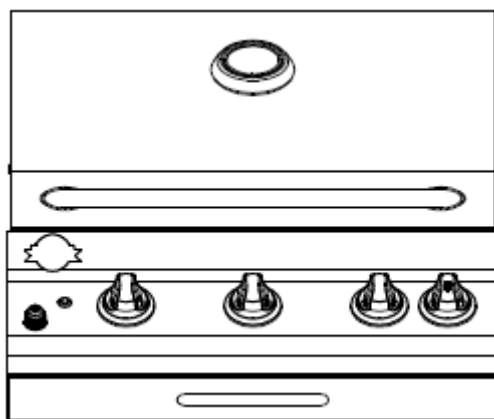
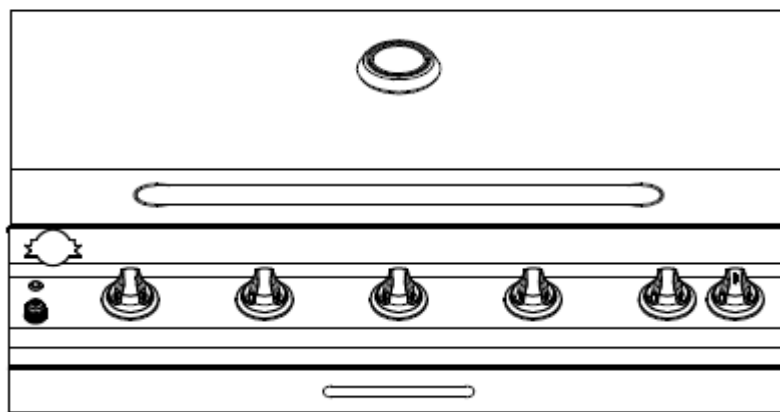
- The bill of sale and proof of original ownership and serial number will be required in order to claim warranty from your authorized dealer. The warranty registration card must be returned within 30 days to register your warranty.
- This factory warranty is non-transferable and may not be extended under any circumstances.
- Jackson Grills warrants its products to the original purchaser only (NO EXCEPTIONS). Not for commercial use.
- This Limited Warranty does not cover any damage caused by misuse, lack of maintenance, hostile environments, accident, alterations, abuse or neglect, including scratches, dents, corrosion, or discoloring by heat (all stainless steel will discolor), and abrasive or chemical damage resulting from use of harsh cleaners.
- Should deterioration occur to the point of non-performance within the duration of the warranted coverage, a replacement will be provided in the first year only. This warranty extends to the repair or replacement of warranted parts that are defective in materials or workmanship provided that the product has been operated in accordance with the operation instructions and under normal conditions.
- After the first year Jackson Grills reserves the right to fully disengage all obligations with respect to this Limited Warranty by refunding the original warranted purchaser the original wholesale price of the warranted parts.
- A licensed, authorized, service technician or contractor must install the gas grill.
- Genuine Jackson parts must always be used; use of parts supplied by other manufacturers will nullify the warranty.
- The installation must be done in accordance with the installation procedures described in the included owner's manual.
- Jackson Grills or its parties will not be responsible for the installation, labor or any other costs or expenses related to the refitting of the warranted part, and such expenses are not covered by this warranty.
- Notwithstanding any provision contained in this Limited Warranty, Jackson Grills responsibility under this warranty is defined as above and it shall not in any event extend to any incidental, consequential, or indirect damages.
- Jackson Grills neither assumes, nor authorizes any third party to assume, on its behalf, any other liabilities with respect to the sale of this product.
- Jackson Grills reserves the right to inspect any parts prior to approving warranty claim.
- Jackson Grills or its representatives shall not be liable for ANY shipping charges, labor charges or duties.



The ultimate outdoor grilling experience.

Phone: 1 (888) 287-3333 ♦ Fax: 1 (877) 855-5373 ♦ #106-2480 Mt. Lehman Road, Abbotsford, BC V4X 2N3

MANUEL D'UTILISATION pour modèle encastrable Supreme



Pour modèles encastrables :

JSS550BI-LP	(Propane liquide)*
JSS550BI-NG	(Gaz naturel)*
JSS700BI-LP	(Propane liquide)*
JSS700BI-NG	(Gaz naturel)*
JSS850BI-LP	(Propane liquide)
JSS850BI-NG	(Gaz naturel)

Avis important

Veuillez lire TOUTES les consignes de sécurité sur les pages 2 et 3 avant d'assembler ou d'utiliser ce barbecue.

*Chariot disponible, vendu séparément.

!AVERTISSEMENTS DE SÉCURITÉ!

IMPORTANT : Veuillez lire et comprendre tous les avertissements et précautions avant d'utiliser votre barbecue à gaz.



! DANGER!

Si vous sentez une odeur de gaz :

5. Fermez l'arrivée de gaz de l'appareil.
6. Éteignez toute flamme nue.
7. Ouvrez le couvercle.
8. Si l'odeur persiste, éloignez-vous de l'appareil et appelez immédiatement le fournisseur de gaz ou les pompiers.



!AVERTISSEMENT!

3. N'entrez pas et n'utilisez pas d'essence ou autres liquides ou gaz inflammables à proximité de cet appareil ou de tout autre appareil.
4. N'entrez aucune bouteille de gaz propane non raccordée à proximité de cet appareil ou de tout autre appareil.

- 37 En l'absence de codes locaux, l'installation de cet appareil doit être conforme aux codes locaux ou, au National Fuel Gas Code, ANSI Z223.1/NFPA54, ou au Code d'installation du gaz naturel et du propane, CSA B149.1
- 38 L'installation de cet appareil doit comporter une mise à la terre électrique conforme aux codes locaux ou, en l'absence de codes locaux, au Code canadien de l'électricité, CSA C22.1, ou au National Electrical Code, ANSI/NFPA 70-
- 39 Cet appareil est destiné à être utilisé à l'extérieur seulement, et ne doit pas être installé ou utilisé dans les maisons, les bâtiments, les garages ou dans tout autre endroit fermé.
- 40 Cet appareil ne doit pas être installé dans ou sur un bateau ou dans un véhicule récréatif.
- 41 N'utilisez pas cet appareil à gaz de cuisson en plein air à des fins autres que celles prévues. Non destiné à un usage commercial.
- 42 Les dégagements par rapport aux combustibles doivent être maintenus en tout temps, comme indiqué dans la page 9 du présent guide.
- 43 Faites toujours installer les conduites de propane ou au gaz naturel, les boîtes de raccords à branchement rapide, les jeux de conversion, ou tout autre gaz des éléments connexes par un monteur d'installation au gaz qualifié.
- 44 Ce barbecue a été créé par l'usine pour qu'il soit utilisé avec du gaz propane (LP), ou avec du gaz naturel (GN). Veuillez vous ASSURER que votre barbecue est correctement configuré et étiqueté pour le gaz que vous souhaitez utiliser.
- 45 N'utilisez pas d'essence, d'alcool ou d'autres substances volatiles pour l'allumage.
- 46 Les bouteilles de propane (LP) d'alimentation en gaz doivent être fabriquées et étiquetées conformément aux spécifications relatives aux bouteilles de gaz propane du ministère américain des transports (DOT) CFR 49 ou aux normes nationales du Canada, CAN/CSA B339, relatives aux cylindres, sphères et tubes pour le transport des matières dangereuses.
- 47 Pour les appareils conçus pour être utilisés avec un raccord au gaz propane CGA 791 : Placez le bouchon antipoussière sur la sortie du robinet de la bouteille à chaque fois que la bouteille n'est pas utilisée. Installez seulement le type de bouchon antipoussière sur la sortie du robinet de la bouteille de propane, fourni avec le robinet de la bouteille. D'autres types de bouchons peuvent entraîner une fuite de gaz propane.
- 48 Ne remplissez jamais la bouteille de gaz à plus de 80 pour cent de sa capacité. Avant toute utilisation, les bouteilles de propane bosselées et rouillées peuvent être dangereuses et doivent être vérifiées par un fournisseur de gaz propane, avant de les utiliser. N'entrez pas une bouteille de propane de rechange sous ou à proximité de cet appareil.
- 49 **AVERTISSEMENT** : le non-respect des informations n° 7, n° 8 et n° 12 peut entraîner un incendie qui pourrait causer des blessures graves, voire mortelles.
- 50 Pour éviter que le propane pénètre dans le robinet de régulation et causer un danger potentiel, veuillez vous assurer que la bouteille de propane est à un niveau inférieur à celui du régulateur lors de l'utilisation.
- 51 Veuillez noter que le propane (LP) est explosif sous pression, qu'il est plus lourd que l'air, et qu'il se dépose et s'accumule dans les zones basses, ce qui peut créer un risque d'explosion.
- 52 Lorsqu'il est configuré pour le gaz naturel, veuillez faire en sorte que la pression d'alimentation corresponde aux spécifications requises dans le présent guide.

- 53 L'appareil de cuisson au gaz extérieur et son robinet d'arrêt individuel doivent être débranchés du système de tuyauterie d'alimentation en gaz pendant les essais de pression de ce système à des pressions d'essai supérieures à 0,5 psi (3,5 kPa).
- 54 Ce barbecue de cuisson à gaz d'extérieur doit être isolé du système de tuyauterie d'alimentation en gaz en fermant son robinet d'arrêt individuel lors des essais de pressurisation de la conduite de gaz, si la pression est inférieure ou égale à 0,5 psi (3,5 kPa).
- 55 Lorsque vous branchez le cordon d'alimentation, branchez la fiche de l'appareil de cuisson au gaz d'extérieur, puis branchez l'appareil dans la prise.
- 56 N'utilisez qu'un circuit protégé par un disjoncteur de fuite de terre avec cet appareil de cuisson à gaz d'extérieur.
- 57 Éloignez des surfaces chaudes tout cordon électrique et tout tuyau de gaz.
- 58 Vérifiez si le tuyau d'alimentation en carburant n'est pas endommagé avant chaque utilisation. En cas d'usure excessive, d'abrasion, ou de fissures, le tuyau DOIT être remplacé par une pièce de rechange d'origine Jackson Grills, avant d'utiliser cet appareil de cuisson au gaz d'extérieur (prenez contact avec votre revendeur le plus proche pour obtenir de l'aide.)
- 59 Ne laissez pas le cordon pendre sur le bord d'une table ou toucher des surfaces chaudes.
- 60 Afin de vous protéger contre les décharges électriques, n'immergez pas le cordon ou la fiche dans l'eau ou dans tout autre liquide.
- 61 Débranchez l'équipement électrique de la prise lorsqu'il n'est pas en cours d'utilisation, et avant le nettoyage. Laissez l'appareil refroidir avant d'installer ou de retirer toute pièce.
- 62 N'utilisez pas un appareil de cuisson au gaz d'extérieur avec un cordon ou une fiche endommagé, ou après un mauvais fonctionnement de l'appareil ou si celui-ci a été endommagé de quelque façon que ce soit. Prenez contact avec le fabricant pour toute réparation.
- 63 Ne retirez jamais la fiche de mise à la terre et n'utilisez jamais un adaptateur à 2 broches, et;
- 64 Utilisez uniquement des rallonges avec une prise de terre à 3 broches, qui correspond à la puissance de l'équipement électrique, et approuvé pour une utilisation extérieure avec un marquage W-A.
- 65 N'utilisez pas ce barbecue jusqu'à ce qu'il soit ENTIÈREMENT assemblé, que toutes les pièces soient correctement installées, et que les tests de détection de fuites soient effectués.
- 66 Avant d'utiliser cet appareil de cuisson au gaz d'extérieur, vérifiez les brûleurs pour vous assurer qu'ils sont correctement insérés dans les orifices. Inspectez en utilisant une lampe de poche pour afficher les entrées du brûleur du dessous de la console avant. Si elles sont correctement positionnées, les sorties des robinets de gaz (avec les orifices) seront insérées dans les entrées du brûleur. Si nécessaire, supprimez et réinstallez le (s) brûleur (s) correctement. (voir la section Assemblage, p. 7 pour plus de détails).
- 67 N'essayez pas de déplacer le barbecue pendant qu'il est allumé Positionnez toujours votre barbecue sur une surface plane et dure loin de tous matériaux combustibles, y compris le bois, les liquides ou vapeurs inflammables, les matières plastiques, etc.
- 68 Ne laissez pas le barbecue allumé sans surveillance. Gardez les enfants et les animaux loin de ce barbecue en tout temps.
- 69 Ouvrez toujours le couvercle du barbecue lentement et soigneusement, car la chaleur et la vapeur dans le barbecue peuvent causer des brûlures graves.
- 70 Ne touchez pas les surfaces métalliques sur le barbecue jusqu'à ce qu'elles soient complètement refroidies pour éviter les brûlures, à moins de porter un équipement de protection. (poignées, gants, mitaines pour barbecue, etc.)
- 71 Il est essentiel de garder le barbecue propre et exempt d'obstacles et de débris. Vérifiez le brûleur et les tubes de Venturi régulièrement pour détecter la présence d'insectes et de nids d'insectes; un tube de brûleur obstrué peut provoquer un incendie sous le barbecue.
- 72 Ne modifiez pas ce barbecue de quelque façon que ce soit.



AVERTISSEMENT: Ce produit peut vous exposer à des produits chimiques, notamment le chrome (composés hexavalents), qui, dans l'État de Californie, sont connus pour provoquer le cancer, des anomalies congénitales ou d'autres troubles de la reproduction. (Pour plus d'informations, visitez: www.P65Warnings.ca.gov)

TABLE DES MATIÈRES :

Certification et essais :	5
Déballage de votre barbecue :	5
Liste de contrôle des pièces :	5
Contactez-nous :	6
Inscription du propriétaire :	6
Outils requis pour l'assemblage :	7
Assemblage et préparation du barbecue :	7-8
Dimensions de la découpe (structure) :	9
Dégagements par rapport aux combustibles :	9
Raccord au gaz propane :	10-12
Raccord au gaz naturel :	12
Test de détection des fuites :	13
Liste de vérification finale de l'installateur :	14
Conversion de l'alimentation :	14
Instructions d'allumage	14-16
Grillade et cuisson à la rôtissoire	16-17
Nettoyage et entretien :	18-20
Entreposage de votre barbecue :	20
Dépannage :	21
Vue éclatée des pièces :	22
Liste des pièces :	23-24
Garantie :	25



CERTIFICATION ET ESSAIS :

Cet appareil a été testé par Intertek, et a été testé par rapport à la norme ANSI Z21.58-2015, a été certifié conformément à la norme CSA 1.6-2015 Outdoor Cooking Gas Appliances, puis a été certifié pour utilisation au Canada et aux États-Unis.

DÉBALLAGE DE VOTRE BARBECUE :

Veillez ouvrir votre emballage avec précaution et mettre de côté toutes les pièces détachées. Une fois que vous avez déballé votre barbecue, faites correspondre les pièces à la liste ci-dessous. Vérifiez si les composants sont endommagés avant d'assembler votre barbecue. La plus grande partie de votre barbecue portatif a été montée en usine. Cependant, il y a encore quelques éléments qui doivent être déballés et placés dans la position appropriée dans votre barbecue. Pour les instructions de montage, reportez-vous à la section suivante.

Liste de contrôle des pièces :

!AVERTISSEMENT!

Faites preuve de prudence lors de la manipulation de l'acier inoxydable; les bords métalliques peuvent être tranchants et peuvent causer des blessures.



CONSEILS TECHNIQUES

Ne jetez pas l'emballage avant de confirmer que toutes les pièces sont présentes.

LISTE DE CONTRÔLE DES PIÈCES :

	JSS550	JSS700	JSS850
Chambre de cuisson principale	1	1	1
Pile AAA pour allumage	1	1	1
Diffuseurs de flamme	3	4	5
Boucliers du bac à graisse	3	3	5
Grilles de cuisson	2	2	3
Grille-réchaud	1	1	1
Adaptateur pour voyants	1	1	1
Ensemble complet de rôtissoire	1	1	1
Guide d'utilisation	1	1	1
Ensemble d'arrêt de porte pour couvercle en caoutchouc	1	1	1
Modèles au gaz naturel : Régulateur de 4 po	1	1	1

Un message spécial à nos clients :

Toute l'équipe de Jackson Grills vous remercie d'avoir choisi un barbecue Jackson! Cet appareil a été conçu et fabriqué avec des composants de qualité qui vous fourniront des années d'excellent fonctionnement, nous en sommes convaincus.

Veillez lire ce manuel au complet pour connaître et comprendre toutes les caractéristiques du barbecue Jackson Grill. En plus des instructions d'utilisation, ce manuel donne des consignes de sécurité importantes. Veuillez noter le numéro de série de votre barbecue dans l'espace ci-dessous, et veillez à ce que ce manuel demeure à proximité du barbecue pour une référence rapide.

Pour obtenir des pièces de rechange pour votre Jackson Grill, prenez contact votre revendeur local. Si vous avez des questions, veuillez nous contacter au numéro indiqué ci-dessous : (Veuillez avoir les numéros de modèle et de série de votre appareil à portée de main.)

Numéro de modèle du barbecue : _____

Numéro de série : _____

Date d'achat : _____

Lieu de l'achat : _____

Type de gaz : GN PL

INSCRIPTION DU PROPRIÉTAIRE : Veuillez prendre le temps de remplir et de retourner une Carte de garantie, vous pouvez également la remplir en ligne à www.jacksongrills.com ou simplement remplir le formulaire ci-dessous et l'envoyer par la poste ou par télécopieur à : (Merci de votre aide!)

Jackson Grills
#106-2480 Mt. Lehman Rd.
Abbotsford, BC.
Canada V4X 2N3
Prenez contact avec votre détaillant

Soutien au client (Tél.) : 1 888 287- 3333 ou
Soutien au client (courriel):info@jacksongrills.com
Télécopieur : 1 877 855 - 5373
Commande de pièces

Veillez remplir le formulaire et le retourner dans un délai de 10 jours. Merci!

Titre : M. Mme Mlle (encerclez un titre)

Prénom : _____ Initiale : _____ Nom de famille : _____

Rue : _____ App. n° : _____

Ville : _____ Prov. : _____ Code postal : _____

Téléphone : _____ Courriel : _____

Date d'achat : _____ Détaillant : _____

Modèle : _____ Numéro de série : _____

Commentaires : _____

Cher propriétaire du barbecue; veuillez conserver ce manuel pour référence future.

Outils requis pour l'assemblage :

Veillez utiliser les outils appropriés afin de simplifier l'installation et d'éviter des blessures ou des dommages à votre barbecue.

■ Outils fournis pour l'installateur :

- | | | |
|---|---|---|
| 1 | x | Tournevis cruciforme de taille grande |
| 1 | x | Tournevis cruciforme de taille moyenne |
| 1 | x | EN OPTION : Clé à douilles avec un support de 6 mm et extension |



Assemblage et préparation du barbecue :

■ VÉRIFIEZ QUE LES BRÛLEURS SONT ADAPTÉS AUX ORIFICES :

- Inspectez les brûleurs pour vous assurer qu'ils sont tous insérés correctement sur les orifices (ou la sortie des robinets; Fig 1)
- Si un brûleur n'est PAS correctement installé sur le robinet comme le montre la figure 1, retirez la clé de serrage du brûleur, retirez le brûleur, et réinstallez le tout correctement.
- Assurez-vous que chaque obturateur d'air est réglé correctement – consultez les caractéristiques exactes de la flamme à la page 15 pour vérifier si un ajustement est nécessaire. Bien que nous ayons pré-réglé les obturateurs d'air sur les brûleurs de ce produit, il peut s'avérer nécessaire de les ajuster pour une performance optimale. Ceci est un appareil d'extérieur et la géographie et le climat peut nécessiter un ajustement des obturateurs d'air. Vous pouvez consulter les caractéristiques exactes de la flamme à la page 15 du manuel d'utilisation.

Astuce relative à l'orifice en laiton, sur l'extrémité du robinet; correctement caché à l'intérieur du brûleur.

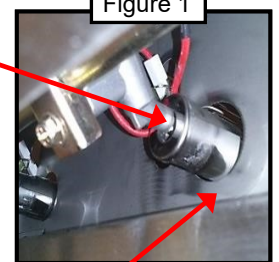


Figure 1

Brûleur principal

■ INSTALLATION DES DIFFUSEURS DE FLAMME ET DES GRILLES DE CUISSON :

- Retirez les diffuseurs de flamme, les grilles et les grille-réchauds de l'emballage.
- Installez chaque diffuseur directement au-dessus de chaque brûleur en les plaçant dans les rebords à fentes, à l'avant et à l'arrière de la chambre de cuisson. (Fig. 2)
- Une fois que les diffuseurs de flamme ont été installés, placez les grilles de cuisson sur les rebords supérieurs de la chambre de cuisson dans le barbecue, en orientant les barres du barbecue de l'avant vers l'arrière.
- Installez la grille-réchaud au-dessus des grilles de cuisson, sur les 2 supports situés sur les parois intérieures gauche et droite du couvercle intérieur.

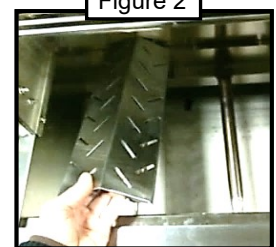


Figure 2

■ PRÉPARATION DE L'ALLUMEUR DE BRÛLEUR ARRIÈRE DE LA RÔTISSOIRE :

- Dévissez le capuchon en plastique/caoutchouc du module d'allumage du brûleur arrière, et insérez la pile AAA (fournie) en dirigeant le pôle positif (+) de la pile vers l'extérieur. (Fig. 3)
- Réinstallez le capuchon.

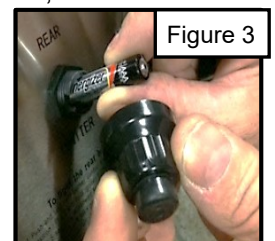
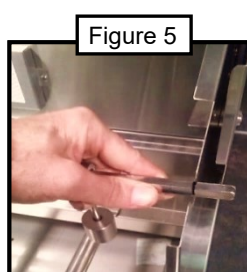
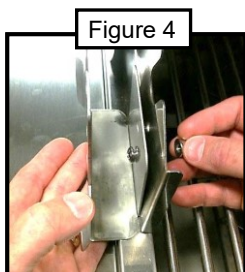


Figure 3

■ INSTALLATION DE L'ENSEMBLE DE RÔTISSERIE : (Pour cuisson à la rôtissoire)

6. Déballez avec soin les pièces du kit de rôtissoire.
7. Installez le support de fixation du moteur (fourni) du côté gauche du couvercle intérieur. (Fig. 4)
8. Installez le moteur sur le support du moteur.
9. Placez les fourchettes et le contrepoids sur la tige de la rôtissoire, à l'emplacement désiré.
10. Insérez la tige de rôtissoire dans le moteur. Alignez la rainure de la tige de la rôtissoire sur la paroi intérieure droite du couvercle et déposez-la dans la découpe prévue sur le couvercle intérieur. (Fig. 5)



■ NETTOYAGE/ESSUYAGE INITIAL

Étant donné que nous utilisons un poli hautement esthétique, il peut y avoir des résidus du nettoyage huileux léger que nous utilisons pour enlever le résidu de plastique de protection et de masquage. Ces marques peuvent être facilement nettoyées au moyen d'un nettoyant inox 3M ou Sprayway et un chiffon en microfibre, nettoyez toujours dans le sens du grain en acier inoxydable. C'est un nettoyant sans risque pour les produits alimentaires, non abrasifs et fera briller votre barbecue. Ce nettoyant peut être utilisé ultérieurement pour le nettoyage régulier.

Dimensions de la découpe (structure):

A. Installation dans une armoire extérieure :

Ce barbecue doit être installé de façon sécuritaire et appropriée en tant que modèle encastrable, avant d'être utilisé. Veuillez consulter le tableau ci-dessous, pour les dimensions correctes d'installation.

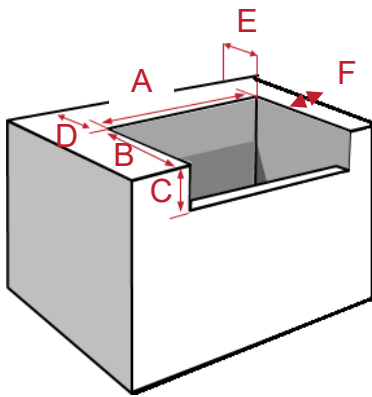
La structure doit entourer le barbecue à l'arrière et sur les côtés, mais le fond de la découpe peut être laissé ouvert. Le barbecue est soutenu par les deux ailes (gauche et droite), aucun support au-dessous n'est donc nécessaire. REMARQUE : veillez à ce que les ouvertures de canalisation pour le carburant laissent un espace suffisant pour les canalisations.

DIMENSIONS DE LA STRUCTURE DE L'ARMOIRE :

*REMARQUE : Le dossier arrière de l'armoire (le cas échéant) et le revêtement de comptoir doivent être non combustibles.

!AVERTISSEMENT!

**LORSQUE TOUS LES BRÛLEURS PRINCIPAUX SONT À LA POSITION
« ÉLEVÉE/HIGH » ET QUE LE COUVERCLE EST FERMÉ, N'ALLUMEZ PAS
LE BRÛLEUR ARRIÈRE.**



Dimensions de découpe du barbecue encastrable

Armoires avec des matériaux non combustibles
(p.ex.: poteaux métalliques, panneaux de ciment, carreaux de
céramique, marbre)

MODÈLE	A Largeur	B* Profondeur	C* Hauteur	D*	E*	F*
Supreme JSS 550 Bi	24 ¾ po	18 ½ po	9 ¾ po	5 ½ po	12 po	15 ½ po
Métrique (cm)	62,87	47	24,77	13,97	30,48	39,37
Supreme JSS 700 Bi	33 po	18 ½ po	9 ¾ po	5 ½ po	12 po	15 ½ po
Métrique (cm)	83,82	47	24,77	13,97	30,48	39,37
Supreme JSS 850 Bi	40 po	18 ½ po	9 ¾ po	5 ½ po	12 po	15 ½ po
Métrique (cm)	101,6	47	24,77	13,97	30,48	39,37
*B	La profondeur est mesurée à partir de la face finie de l'île ou de l'armoire. L'encoche du revêtement de comptoir avant peut être nécessaire.					
*C	La hauteur est mesurée à partir du revêtement de comptoir fini vers le bas.					
*D	Une distance minimale à la paroi verticale arrière est requise pour ouvrir complètement le couvercle (de la découpe).					
*E/F	Distance minimale aux matériaux combustibles verticaux adjacents arrière/latéraux					

Dégagements par rapport aux combustibles :

- A) **AU-DESSUS** : Cet appareil ne doit pas être placé ou utilisé sous une construction combustible non protégée au-dessus des têtes. Lorsqu'elle est installée sous des surfaces combustibles suspendues, une hotte certifiée plus large que l'appareil doit être installée à une distance minimale de 36 pouces au-dessus de la surface de cuisson.
- B) **EN ARRIÈRE** : de l'arrière de l'unité à tout matériel combustible derrière la grille: **12 po/30,48 cm minimum**
- C) **SUR LE CÔTÉ** : des bords extérieurs du corps du barbecue, à tous les matériaux combustibles adjacents: **15 ½ po/39,37 cm minimum**

!AVERTISSEMENT!

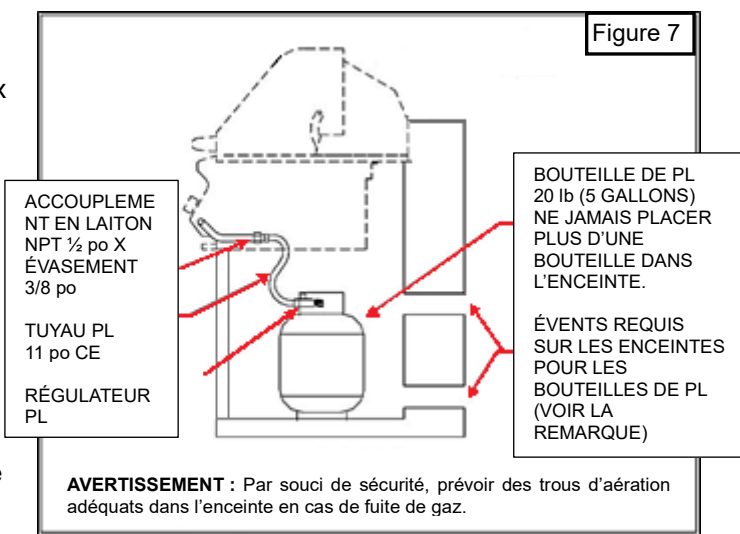
Laissez un espace supplémentaire lorsque le barbecue est adossé à un revêtement en vinyle; l'échappement sortant de l'arrière du barbecue peut déformer ou faire fondre le vinyle.

Raccord au gaz propane :

- **TYPE DE CARBURANT** : Les instructions suivantes s'appliquent à un barbecue au propane. **Pression de service : 11 po CE.**
- **TUYAU ET RÉGULATEUR** : La pression fournie au barbecue doit être conforme à ce qui est indiqué sur la plaque signalétique des grilles (11 po CE). Si la pression fournie est élevée, un régulateur doit être installé (régulateur non inclus.)

■ **BRANCHEMENT DU BARBECUE AU PROPANE ENCASTRABLE :**

12. L'installateur qualifié est responsable d'installer la tuyauterie jusqu'au barbecue à gaz; les tuyaux doivent être installés comme indiqué ci-dessous. (Fig. 7)
13. Un tuyau de raccordement en métal flexible (à commander séparément) simplifie l'installation de l'appareil.
14. Raccordez ce connecteur métallique flexible à l'embout sur l'extrémité du collecteur.
15. Raccordez l'autre extrémité du connecteur à la tuyauterie de gaz.
16. Le connecteur flexible ne doit pas passer à travers un mur, un plancher, un plafond ou une cloison, et il est protégé contre les dommages.
17. N'utilisez pas un tuyau pour connecter l'appareil, sauf pour connecter le régulateur de la bouteille au système de tuyauterie.
18. Ne faites pas fonctionner le tuyau dans les zones où les dommages thermiques pourraient faire fondre ou brûler le tuyau.
19. L'ensemble de tuyau et régulateur doit être relié à un tuyau rigide, un tube en cuivre, ou un connecteur en métal souple homologué qui est conforme aux normes Z21.4/CSA 6.10.
20. L'installation doit être conforme au code d'installation du gaz naturel et du propane au Canada CAN B149.1. ou au National Fuel Gas Code, ANSI Z223.1 aux États-Unis.
21. Le tuyau d'alimentation en gaz doit être suffisamment dimensionné pour alimenter le BTU/h indiqué sur la plaque signalétique, selon la longueur de la tuyauterie.
22. Si vous installez un brûleur latéral, faites dériver une ligne crue au brûleur latéral et placez l'ouverture de celui-ci à l'endroit indiqué.



■ **ENCEINTES ENCASTRABLES POUR BOUTEILLE DE PROPANE :**

16. Enceintes encastrables pour bouteille de propane qui entourent complètement la bouteille doivent contenir les deux éléments suivants :
 - c. Au moins une ouverture de ventilation dégagée sur le côté de l'enceinte visible de l'extérieur situé à 5 po (127 mm) de la partie supérieure de l'enceinte. L'ouverture doit avoir une surface libre totale de plus de 20 pouces carrés (130 cm carrés) pour une bouteille de 20 lb (9,1 kg).
 - d. Au moins une ouverture de ventilation sur le côté de l'enceinte visible de l'extérieur situé à 1 po (25,4 mm) ou moins du niveau du sol. L'ouverture doit avoir une surface libre totale de plus de 10 pouces carrés (65 cm carrés) pour une bouteille de 20 lb (9,1 kg). Le rebord supérieur ne doit pas être supérieur à 5 pouces (127 mm) au-dessus du niveau du sol.
17. Chaque ouverture doit être suffisamment grande pour permettre l'entrée d'une tige de 1/8 po (3,2 mm).
18. Le robinet de la bouteille doit être facilement accessible pour l'ouvrir à la main. Une porte de l'enceinte pour accéder au robinet de la bouteille est acceptable, à condition qu'elle soit non verrouillable et qu'elle puisse être ouverte sans devoir utiliser des outils. Le robinet de la bouteille doit être visible.
19. Il doit y avoir un dégagement minimal de 2 po (51 mm) entre le plancher de l'enceinte de la bouteille de GPL et le sol.
20. L'enceinte doit être conçue de telle sorte que la bouteille GPL puisse être branchée et débranchée et que les raccordements puissent être inspectés et testés à l'extérieur de l'enceinte de la bouteille. Tous les raccordements qui peuvent être perturbés lors de l'installation de la bouteille dans l'enceinte doivent être accessibles pour les tests à l'intérieur de l'enceinte.
21. Dimension maximale de la bouteille : 20 lb. (9 kg)
22. Dimensions : (environ) Diamètre : 12 po (30,5 cm) X Hauteur : 18 po (45,7 cm) :
23. É.-U. : Toutes les bouteilles de GPL utilisées avec ce barbecue doivent être fabriquées et étiquetées conformément aux *Spécifications relatives aux bouteilles de gaz propane du ministère américain des Transports (DOT)*. Reportez-vous au collier de votre bouteille de propane pour les marquages.
24. CANADA : Toutes les bouteilles de gaz propane utilisées avec ce barbecue doivent être fabriquées et étiquetées conformément aux normes nationales du Canada, CAN/CSA B339, *Bouteilles à gaz cylindriques et sphériques et tubes pour le transport des marchandises dangereuses*. Reportez-vous au collier de votre bouteille de propane pour les marquages.
25. Le système d'alimentation de la bouteille doit être mis en place pour le retrait de vapeur.

26. La bouteille doit être équipée d'un collier pour protéger le robinet de sortie.
27. Les bouteilles doivent être exemptes de bosses et de rouille : une bouteille de propane bosselée ou rouillée peut être dangereuse, et doit être inspectée par un professionnel avant de l'utiliser.
28. Les bouteilles doivent être équipées d'une sortie QCC Type 1 (Quick Closing Coupling/Raccordement à fermeture rapide).
29. Les bouteilles de propane doivent être équipées d'un robinet de sûreté et de décharge.
30. Muni d'un dispositif antidébordement homologué UL. Ce dispositif antidébordement est identifié par un volant de manœuvre (poignée) triangulaire. **N'utilisez que des bouteilles équipées de ce type de robinet. (Fig. 8)**

Volant de manœuvre
(poignée) triangulaire

Figure 8



■ QUE FAIRE SI LE ROBINET DE SÛRETÉ est déclenché :

5. Fermez la bouteille de propane.
6. Débranchez le tuyau de propane et le régulateur de la bouteille de propane.
7. Rebranchez le tuyau de propane et le régulateur à la bouteille de propane.
8. Ouvrez le robinet de gaz lentement.

■ MANIPULATION DES BOUTEILLES DE PROPANE : (non incluses avec le barbecue)

5. Les règlements gouvernementaux interdisent l'expédition des bouteilles de propane pleines. Les nouvelles bouteilles (non incluses) doivent être remplies à une station de remplissage de propane.
6. Une bouteille pleine est sous haute pression; manipulez-la toujours avec soin, et la transporter de façon sécuritaire et en position verticale. Protégez le robinet contre des dommages accidentels.
7. N'inclinez pas la bouteille de propane lors du raccordement avec le régulateur de votre barbecue.
8. Si la bouteille est basculée en étant raccordée à votre barbecue, fermez et débranchez la bouteille; puis faites-la vérifier avant de l'utiliser.

■ ENTREPOSAGE DES BOUTEILLES DE PROPANE :

7. Placez le bouchon antipoussière sur la sortie du robinet de la bouteille à chaque fois que la bouteille n'est pas utilisée. Installez seulement le type de bouchon antipoussière sur la sortie du robinet de la bouteille, fourni avec le robinet de la bouteille. D'autres types de bouchons ou de fiches peuvent entraîner une fuite de gaz propane.
8. Entrez toutes les bouteilles de propane à l'extérieur dans un endroit bien ventilé.
9. N'entrez pas les bouteilles de façon à ce qu'elle soit exposée à la lumière directe du soleil ou près d'une source de chaleur ou de combustion.
10. Les bouteilles de propane doivent être retirées de votre barbecue; lorsque celui-ci doit être entreposé à l'intérieur.
11. Conservez toutes les bouteilles de propane hors de la portée des enfants.
12. Si votre barbecue est entreposé à l'extérieur, la bouteille de propane peut rester raccordée au barbecue. Fermez le robinet de la bouteille de propane lorsque le barbecue n'est pas utilisé.

■ INSTALLATION ET RACCORDEMENT D'UNE BOUTEILLE DE PROPANE AU BARBECUE :

8. Assurez-vous que le robinet de la bouteille de propane est complètement fermé (tournez en sens horaire, jusqu'au bout).
9. Vérifiez le robinet de la bouteille pour vous assurer qu'il est équipé d'un filetage extérieur (mâle) (c.-à-d. raccord de type QCC-1).
10. Assurez-vous que tous les boutons des brûleurs sont en position « OFF ».
11. Retirez le bouchon antipoussière du robinet de la bouteille. Réutilisez toujours le bouchon antipoussière lors de l'entreposage de la bouteille.
12. Examinez le port de raccordement du robinet pour déceler tout signe de dommages ou de débris. Vérifiez si le tuyau est endommagé. N'utilisez jamais de bouteilles endommagées ou bouchées. Prenez contact avec votre fournisseur local de gaz propane pour toute réparation.

13. Installez le tuyau de la bouteille de propane et du régulateur en serrant à la main l'écrou noir en plastique (raccord rapide) (QCC) dans le sens des aiguilles d'une montre vers un arrêt fixe. N'utilisez pas une clé pour serrer, car cela pourrait endommager l'écrou et causer des fuites.
14. Ouvrez le robinet de la bouteille LENTEMENT (dans le sens contraire des aiguilles d'une montre) jusqu'à ce qu'il soit complètement ouvert. Avant d'allumer le barbecue, vérifiez l'étanchéité de tous les raccords avec une solution d'eau savonneuse (test de détection des fuites). Si une fuite est détectée, n'utilisez PAS le barbecue. Fermez le gaz et appelez un installateur de gaz professionnel pour réparer la fuite.

■ **DÉBRANCHEMENT DE LA BOUTEILLE DE PROPANE :**

5. Tournez tous les boutons du barbecue à la position « Arrêt/Off ».
6. Fermez complètement le robinet de la bouteille de gaz (tournez en sens horaire, jusqu'au bout).
7. Débranchez le régulateur du robinet de la bouteille en tournant l'écrou noir (QCC) dans le sens contraire des aiguilles d'une montre.
8. Installez le capuchon de protection sur le filetage du robinet de la bouteille de propane.

!AVERTISSEMENT!

- 1 N'insérez jamais d'objets étrangers dans la sortie du robinet, car cela pourrait provoquer des fuites.
- 2 NE raccordez PAS ce barbecue aux systèmes de propane non réglementés tels que ceux d'une autocaravane ou d'une roulotte. La pression du système doit être réglée avant le branchement.
- 3 N'utilisez PAS ce barbecue jusqu'à ce que des tests d'étanchéité soient effectués.
4. Si une fuite de gaz est détectée et ne peut pas être arrêtée, appelez les services d'incendie.

Raccord au gaz naturel :

■ **TYPE DE CARBURANT :**

Les instructions suivantes s'appliquent à un barbecue au gaz naturel SEULEMENT. **Pression de service = 4 po CE.**

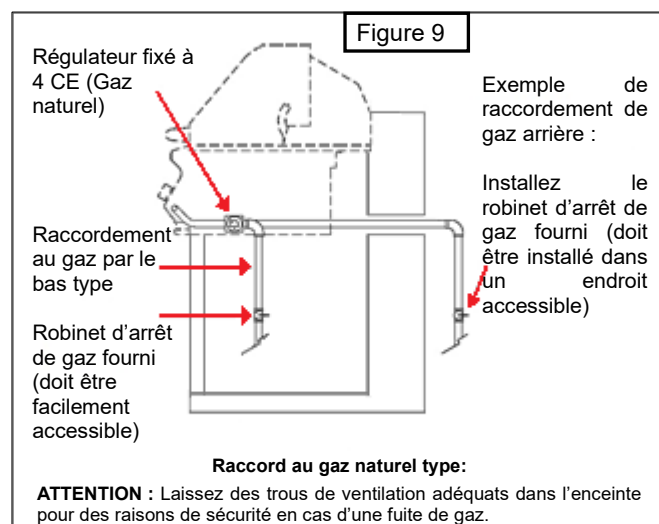
■ **BRANCHEMENT DU BARBECUE AU GAZ NATUREL ENCASTRABLE : (Fig. 9)**

5. L'installateur est responsable d'installer la tuyauterie jusqu'au barbecue à gaz; les tuyaux doivent être installés comme indiqué ci-dessous.
6. Le connecteur ne doit pas passer à travers un mur, un plancher, un plafond ou une cloison, et il est protégé contre les dommages.
7. N'utilisez pas un tuyau pour connecter l'appareil, sauf pour connecter le régulateur de la bouteille au système de tuyauterie.
8. Le tuyau d'alimentation en gaz doit être suffisamment dimensionné pour alimenter le BTU/h indiqué sur la plaque signalétique, selon la longueur de la tuyauterie.

!AVERTISSEMENT!

- 1 N'insérez jamais d'objets étrangers dans le boîtier de déclenchement ou dans le tuyau de gaz naturel, car cela pourrait provoquer des fuites.
- 2 La pression de la source de gaz pour ce barbecue et de régulateur fixé à 4 CE NE DOIT PAS dépasser 7 pouces de colonne d'eau; l'utilisation du barbecue à des pressions plus élevées pourrait causer des dommages aux biens, des préjudices corporels ou la mort.**
- 3 N'utilisez PAS ce barbecue jusqu'à ce que des tests d'étanchéité soient effectués.
4. Si une fuite de gaz est détectée et ne peut pas être arrêtée, appelez immédiatement les services d'incendie...

** REMARQUE : ceci est la pression d'entrée nominale maximale pour le régulateur de gaz naturel inclus, numéro de pièce JF-99



Test de détection des fuites :

■ GÉNÉRALITÉS :

3. Bien que toutes les connexions de gaz sur le barbecue ont subi un test d'étanchéité à l'usine, une vérification complète de l'étanchéité au gaz doit être effectuée sur le site d'installation. Ceci est obligatoire en raison d'une éventuelle mauvaise manipulation lors de l'expédition (ce qui pourrait desserrer les raccords), ou d'une pression excessive étant involontairement appliquée à l'unité.
4. Vérifiez périodiquement la présence de fuites dans le système, ou vérifiez immédiatement si vous sentez une odeur de gaz.

■ AVANT L'ESSAI :

6. Assurez-vous de retirer tous les matériaux d'emballage du barbecue.
7. Ne fumez pas lors des tests de détection de fuites.
8. Ne faites jamais un test de détection de fuites en utilisant une flamme nue.
9. Faites un mélange d'une mesure de savon à vaisselle pour une mesure d'eau. Préparez un vaporisateur, un pinceau ou un chiffon pour appliquer la solution sur les raccords. Pour le premier test de détection de fuites, assurez-vous que la bouteille de propane est pleine.
10. Le test de détection de fuites du barbecue doit être fait à l'extérieur, dans un lieu bien aéré, loin d'une source d'allumage (ex. appareils à gaz ou électriques) et de tout matériau inflammable.

■ PROCÉDURES D'ESSAI :

8. Assurez-vous que tous les boutons de réglage (des brûleurs) sont en position « OFF ».
9. Assurez-vous que le régulateur est raccordé hermétiquement à la bouteille de propane. Pour le gaz naturel, assurez-vous que le tuyau de gaz est correctement raccordé au boîtier de déclenchement préinstallé chez vous. (non inclus avec le barbecue)
10. Ouvrez complètement le robinet de la bouteille de propane en tournant LENTEMENT dans le sens contraire des aiguilles d'une montre. Si vous entendez un « POP », fermez le gaz IMMÉDIATEMENT, car cela indique une fuite importante au raccord. Appelez votre fournisseur de gaz propane ou les pompiers.
11. Vérifiez tous les raccords à partir du boîtier de déclenchement de la bouteille de propane ou de gaz naturel jusqu'au raccord du tuyau collecteur ou manifold (le tuyau qui va aux brûleurs), en enduisant ou vaporisant la solution savonneuse sur les raccords.
12. L'apparition de bulles indique la présence d'une fuite. Fermez IMMÉDIATEMENT le robinet de la bouteille de propane ou du boîtier de déclenchement au gaz naturel et resserrez les raccordements, ouvrez le robinet de gaz, et vérifiez de nouveau s'il y a des fuites.
13. Fermez toujours le robinet de la bouteille et débranchez le tuyau après le test de détection de fuites, lorsque le barbecue n'est pas utilisé.
14. Seules les pièces recommandées par le fabricant doivent être utilisées sur ce barbecue. L'utilisation de pièces de substitution peut annuler la garantie. N'utilisez pas ce barbecue, avant d'avoir testé tous les raccords pour vous assurer qu'il n'y a aucune fuite.

■ TEST DE DÉTECTION DE FUITES ET CONSEILS DE SÉCURITÉ :

5. Vérifiez toujours s'il y a des fuites après chaque changement de bouteille de propane.
6. Vérifiez toujours s'il y a des fuites à chaque raccordement et avant toute utilisation. (y compris lors du branchement du boîtier de déclenchement au gaz naturel)
7. Si la graisse ou des produits chauds tombent sur le robinet, le régulateur, le tuyau ou toute pièce qui achemine du gaz, fermez le robinet de gaz immédiatement, déterminez la cause du problème et corrigez-la. Effectuez un test complet de détection de fuites avant de réutiliser le barbecue.
8. Si vous sentez une odeur de gaz, fermez immédiatement le robinet de gaz ou débranchez la source de celui-ci, et réparez les fuites avant d'utiliser le barbecue de nouveau.

!AVERTISSEMENT!

Le propane et le gaz naturel sont des matières très inflammables; faites preuve d'une grande prudence lorsque vous effectuez des tests de détection de fuites de gaz, et lorsque vous réparez celles-ci.

Service client de Jackson Grills : 1 888 287-3333 ou à info@jacksongrills.com

Liste de vérification finale de l'installateur :

- Veillez à ce que les dégagements par rapport aux combustibles soient maintenus selon les spécifications indiquées dans le présent manuel.
- Assurez-vous que tous les emballages internes ont été retirés.
- Vérifiez que les brûleurs sont positionnés correctement sur l'extrémité orifice des robinets. (P. 7)
- Vérifiez l'étiquette du barbecue afin de vous assurer que la configuration de gaz correspond au carburant fourni.
- Si vous utilisez du gaz naturel, veillez à ce que la pression de l'appareil (entre le régulateur au GN et le collecteur principal) est réglée à 4 po CE et qu'elle ne dépasse pas 7 po de colonne d'eau à l'intérieur du régulateur.
- Pour le barbecue au propane, assurez-vous que la pression d'entrée est à 11 CE; PRENEZ NOTE que le régulateur et le tuyau Jackson originaux sont pré-réglés à 11 po CE.
- Assurez-vous que tous les boutons de gaz tournent librement.
- Test de détection de fuites et vérification de tous les raccords de gaz.
- Le test de détection de fuites a été effectué, et toutes les fonctions sont en bon état de marche.
- L'utilisateur a été informé de l'emplacement du robinet d'arrêt de l'alimentation de gaz.
- Le manuel d'utilisation a été fourni à l'utilisateur du barbecue.



Brûleur latéral en option n° JGSB

Conversion de l'alimentation :

Ce barbecue est convertible au gaz naturel ou au propane, au besoin, grâce à l'installation de la trousse de conversion du gaz appropriée. (Voir la liste des pièces, p. 22 et 23.) La trousse doit être installée par un installateur de gaz qualifié. Veuillez prendre contact avec votre revendeur local pour obtenir de plus amples renseignements.

Instructions d'allumage du barbecue

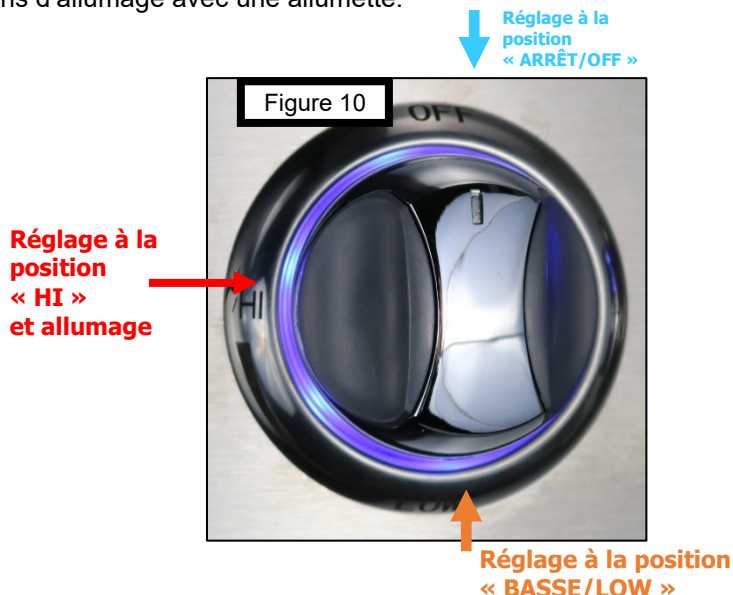
7. AVANT D'ALLUMER :

- Inspectez toujours le tuyau d'alimentation de gaz, avant d'ouvrir le gaz. Si abrasion, usure, coupures ou fuites sont évidentes, remplacez le tuyau avant toute utilisation. Utilisez uniquement un tuyau de rechange approuvé par le fabricant.
- Examinez tous les raccords de gaz pour déceler toute fuite avant chaque utilisation. N'allumez pas le barbecue si vous sentez une odeur de gaz.

8. POUR ALLUMER LES BRÛLEURS PRINCIPAUX DU BARBECUE : (voir Fig. 10)

- Lisez les instructions avant d'allumer le barbecue (consultez les étiquettes sur le bord supérieur du bac de récupération des graisses).
- Ouvrez le couvercle avant d'allumer votre barbecue.
- Tournez tous les boutons à la position « ARRÊT/OFF » puis ouvrez le robinet de la bouteille de propane OU de gaz naturel de votre raccord de gaz. REMARQUE : Gardez toujours votre visage et votre corps éloignés lorsque vous allumez le barbecue.

- Poussez et tournez lentement chaque bouton de commande dans le sens contraire des aiguilles d'une montre à la position « HI ». (Lors de la rotation du bouton, tournez pendant deux à quatre secondes : ne tournez PAS le bouton rapidement.) Vous entendrez un déclic de l'allumeur intégré et une étincelle d'allumage jaillira, allumant ainsi la flamme de veilleuse, puis le brûleur principal. Si le brûleur ne s'allume pas IMMÉDIATEMENT, tournez le bouton à la position « Arrêt/Off » et attendez 5 minutes pour que le gaz se dissipe et répétez la procédure d'allumage.
- Si le brûleur ne s'allume pas après avoir répété les étapes ci-dessus 3 à 4 fois, suivez les instructions d'allumage avec une allumette.



9. ALLUMER LES BRÛLEURS PRINCIPAUX AU MOYEN D'UNE ALLUMETTE OU D'UN BRIQUET À BARBECUE :

(solution temporaire lorsque l'allumage est désactivé)

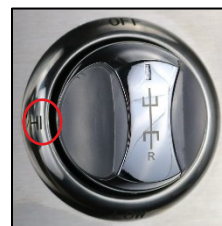
- Lisez la section « AVANT D'ALLUMER » (voir ci-dessus).
- Ouvrez le couvercle lors de l'allumage, et enlevez les grilles de cuisson.
- Tournez tous les boutons à la position « ARRÊT/OFF » puis ouvrez le robinet de la bouteille de propane OU de gaz naturel de votre raccord de gaz. REMARQUE : Gardez toujours votre visage et votre corps éloignés lorsque vous allumez le barbecue.
- Une allumette pour poêle longue ou un briquet à barbecue doivent être utilisés pour allumer les brûleurs.
- Ne laissez pas tomber une allumette enflammée dans le barbecue à des fins d'éclairage; tenez l'allumette à l'endroit souhaité.
- Poussez et tournez le bouton du brûleur principal à la position « HI », puis relâchez-le.
- Allumez le brûleur à l'extrémité avant du tube du brûleur. Vérifiez que le brûleur s'allume et reste allumé.
- Si nécessaire, appelez votre revendeur ou la ligne d'aide de Jackson, pour obtenir de l'aide relativement à la réparation de votre système d'allumage.

10. CARACTÉRISTIQUES DES FLAMMES : (Fig. 11)

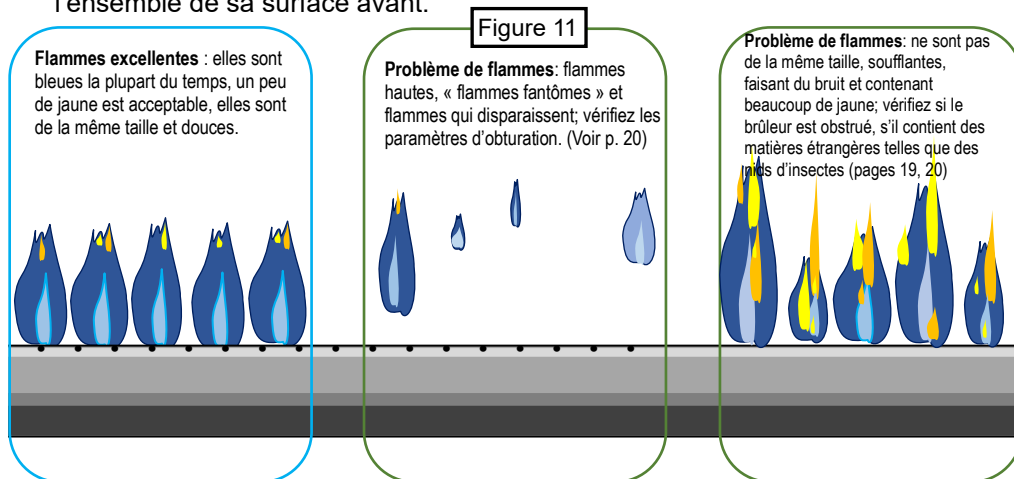
- Vérifiez que les flammes des brûleurs ont les caractéristiques adéquates. Chaque brûleur est ajusté avant l'expédition. Cependant, les variations de l'alimentation locale en gaz peuvent nécessiter des ajustements subtils.
- Les flammes des brûleurs doivent être bleues et stables. Il ne devrait pas y avoir de bruit excessif ni de flammes hautes. Si l'un de ces problèmes survient, veuillez contacter votre détaillant. Une flamme jaune indique un apport d'air insuffisant. Une flamme bruyante, et qui a tendance à sautiller du brûleur, indique un apport d'air excessif.
- REMARQUE : de petites pointes jaunes sont acceptables.

11. ALLUMAGE DU BRÛLEUR DE LA RÔTISSOIRE :

- Ouvrez le couvercle durant l'allumage.
- Tournez tous les boutons à la position « ARRÊT/OFF », puis ouvrez le robinet de la bouteille de propane ou de gaz naturel au boîtier de déclenchement au gaz naturel.



- Poussez et tournez le bouton du brûleur arrière à la position «HI», puis appuyez sur le bouton d'allumage et maintenez-le enfoncé jusqu'à ce que le brûleur s'allume. Le brûleur devrait s'allumer en cinq secondes.
- Si le brûleur ne s'allume pas, attendez 5 minutes pour que le gaz soit dégagé et essayez à nouveau.
- Si le brûleur ne s'allume pas après avoir répété les étapes ci-dessus 3 à 4 fois, suivez les instructions d'allumage avec une allumette.
- Une fois que le brûleur est allumé, le brûleur de la rôtissoire deviendra rouge sur l'ensemble de sa surface avant.



12. ALLUMAGE DU BRÛLEUR DE LA RÔTISSOIRE AU MOYEN D'UNE ALLUMETTE :

- Lisez la section « AVANT D'ALLUMER » (voir ci-dessus).
- Ouvrez le couvercle durant l'allumage.
- Poussez et tournez lentement le bouton du brûleur arrière à la position « HI », puis relâchez-le.
- De la main gauche, allumez le brûleur avec une allumette. Vérifiez que le brûleur s'allume et reste allumé.

CONSEILS TECHNIQUES
 Retirez la grille-réchaud avant d'utiliser votre brûleur de la rôtissoire; sinon la grille peut être endommagée en raison de la chaleur excessive.

Grillade et cuisson à la rôtissoire :

CONSOMMATION TOTALE DE GAZ :

Consommation totale de gaz par heure, par brûleur : **MODÈLE (TOUS) :**

	JSS550BI (3 brûleurs principaux)	JSS700BI (4 brûleurs principaux)	JSS850BI (5 brûleurs principaux)
Brûleurs principaux	31 500	42 000	52 500
Brûleurs arrière (15 000 BTU/h chq.)	15 000	15 000	15 000
Total BTU/h	46 500	57 000	67 500

!AVERTISSEMENT!
 Nettoyez votre barbecue souvent, surtout le bac et le récipient à graisse. Omettre de le faire peut causer un incendie de graisse, entraînant des blessures ou des dégâts matériels!

■ SÉCURITÉ ALIMENTAIRE :

- Respectez toujours les conseils suivants pour profiter des grillades en plein air saines et sécuritaires.
- Lavez-vous les mains, et lavez tous les ustensiles et surfaces de travail à l'eau savonneuse chaude, avant et après avoir manipulé de la viande crue.
- Séparez toujours la viande crue des aliments prêts à être consommés, pour éviter toute contamination entre les aliments.
- Utilisez toujours un plateau et des ustensiles propres pour manipuler et servir les aliments.
- Cuisez entièrement la viande afin d'éliminer les germes et bactéries. En cas de doute, utilisez un thermomètre à viande pour vérifier la température interne de la viande.
- Placez sans délai tous les produits alimentaires dans le réfrigérateur lorsque le repas est terminé, afin d'en empêcher le gaspillage.

5. GÉNÉRALITÉS :

- L'épaisseur de la viande aura une incidence sur le temps et le résultat de la cuisson, soit une viande saignante, à point ou bien cuite.
- La température préchauffée du barbecue a une incidence sur le temps et le résultat de la grillade.
- Laissez décongeler la viande dans un réfrigérateur, toute la nuit. N'utilisez pas un micro-ondes, car cela assèche la viande.
- Pour obtenir une viande juteuse, faites-la cuire pendant une durée et à une température appropriées.
- Coupez tout excès de gras de la viande avant la cuisson, car cela permettra d'éviter les poussées de flamme.
- Les grilles chauffées saisissent les aliments, en le caramélisant pour obtenir une saveur optimale. Plus longtemps votre barbecue est préchauffé, plus la viande sera saisie.



6. UTILISATION DE LA SURFACE DE CUISSON (grilles de cuisson) :

- Pour griller les aliments, on utilise des températures élevées afin de bien les saisir et les dorer.
- La plupart des aliments sont cuits au réglage « HI » pour toute la durée de la cuisson.
- Lors de la cuisson de gros morceaux de viande ou de volaille, il peut s'avérer nécessaire de régler la chaleur à la position « basse/low », après la première saisie. Cela permet de faire cuire les aliments sans brûler leur partie extérieure.
- Les aliments cuits pendant une longue période, ou arrosés avec une marinade à base de sucre, peuvent nécessiter une température de cuisson moins élevée vers la fin du cycle de cuisson.
- Tournez les boutons de réglage en position « HI » et préchauffez le barbecue pendant 8 minutes. (La durée de préchauffage peut varier en fonction du climat.)
Remarque : Gardez le barbecue fermé pendant le préchauffage.
- Placez les aliments sur la grille de cuisson et faites-les cuire pour obtenir le degré de cuisson désiré. Ajustez le réglage de la chaleur, si nécessaire. Les boutons de commande peuvent être réglés sur une position quelconque entre « HI » et « LOW ».

7. UTILISATION DE L'ENSEMBLE DE RÔTISSERIE :

- Retirez l'ensemble de rôtisserie (ensemble de broche et fourchettes) du barbecue.
- Desserrez et faites glisser la fourchette gauche hors de la broche.
- Coupez tous les excès de gras de la viande pour éviter qu'ils s'accumulent dans le bac à graisse et causer un incendie de graisse.
- Mettez la viande ou la volaille sur la broche; centrez la viande autant que possible.
- Réinstallez la fourchette gauche, puis faites glisser les deux fourchettes dans la viande pour la fixer.
- Centrez les fourchettes et la viande dans la broche, puis serrez les écrous à oreilles de la fourchette.
- Si vous faites cuire des morceaux distincts de viande, enveloppez-les viande avec une ficelle de boucher (n'utilisez jamais du nylon ou du plastique)
- Réinstallez l'ensemble de rôtisserie dans votre barbecue, en vous assurant que l'extrémité pointue est fixée sur le moteur.

8. CONSEILS POUR LA CUISSON À LA RÔTISSOIRE :

- Lors de l'utilisation de la rôtissoire, la viande doit être centrée sur la broche, après quoi elle doit être équilibrée. Pour équilibrer la viande, tournez d'abord la coupe de telle sorte que le côté le plus lourd soit tourné vers le bas.

- Ensuite, positionnez le contrepoids pour qu'il soit tourné vers le haut. Fixez le contrepoids en serrant ses écrous à oreilles. Vérifiez le fonctionnement de la rôtissoire pour vous assurer que la broche tourne librement. Il peut être nécessaire d'ajuster le poids du contrepoids d'équilibrage en tirant ou en poussant, pour parvenir à une rotation fluide.
- Placez une lèche-frite sur les diffuseurs de flamme, directement sous l'aliment à cuire de la rôtissoire. En fonction de la saveur que vous désirez, placez le liquide dans la casserole comme; l'eau, le jus de fruits ou du vin, hachez les oignons ou ajoutez l'ail. Dès que les jus tomberont de la viande, ils se mélangeront avec le liquide et s'évaporeront directement dans la viande, vous évitant de les badigeonner manuellement puisqu'il s'agit d'un système d'autoarrosage. (Regarnissez au besoin.)
- Vous êtes maintenant prêt à cuire à la rôtissoire!
- Assaisonnez la viande ou la volaille à volonté, puis allumez le brûleur de la rôtissoire (consultez les instructions dans le présent manuel).
- Utilisez toujours un thermomètre à viande pour une cuisson à point. Insérez ce thermomètre au centre de la viande. Ne laissez pas le thermomètre toucher un os, car la mesure de température ne serait pas précise. Lors de la vérification de la volaille, le meilleur emplacement pour insérer le thermomètre est le centre du muscle de la cuisse, à côté du corps.
- Fermez le couvercle pendant la cuisson.

!AVERTISSEMENT!

Lors de la cuisson des viandes grasses, vérifiez les niveaux de graisse dans le récipient à graisse, afin d'éviter un incendie de graisse.

Nettoyage et entretien :

ATTENTION :

- Les lieux d'utilisation du barbecue doivent être tenus propres et exempts de matériaux combustibles, d'essence et de tout gaz ou liquide inflammable
- N'obstruez pas le flux de combustion et de ventilation.
- Gardez les ouvertures de ventilation de l'enceinte de la bouteille dégagées et exemptes de débris.
- Assurez-vous que le barbecue est complètement refroidi avant d'effectuer toute opération de nettoyage et d'entretien.
- Brûler les dépôts et les salissures en faisant tourner les brûleurs principaux à la position « Élevée/High » pendant environ 5 minutes après chaque utilisation permet d'éviter l'accumulation des résidus alimentaires, mais cela NE remplace PAS un nettoyage et un entretien appropriés.

8. INFORMATIONS GÉNÉRALES :

- Ce barbecue est fait d'acier inoxydable. On trouve toutes sortes de nettoyeurs pour acier inoxydable sur le marché. Employez toujours la méthode de nettoyage la plus douce au début, en frottant dans le sens du grain.
- Pour réparer des égratignures visibles dans l'acier inoxydable, sablez-le très légèrement avec de la toile d'émeri très fine ou avec du papier abrasif à grain de calibre 800, dans le sens du grain. Des taches de graisse peuvent s'accumuler et s'incruster sur les surfaces en acier inoxydable sous l'effet de la cuisson, ce qui peut ressembler à de la rouille.
- Utilisez un tampon nettoyeur (tel que ScotchBrite) avec un nettoyeur pour acier inoxydable pour enlever ces taches. (Frottez dans le sens du grain dans l'acier inoxydable.) Appliquez une finition en utilisant un poli en acier inoxydable et un chiffon doux et sec.



!AVERTISSEMENT!

Nettoyez régulièrement le récipient à graisse et le bac à graisse. Omettre de le faire peut causer un incendie de graisse, entraînant des blessures ou des dégâts matériels!

9. SYSTÈME DE GESTION DES GRAISSES :

- Le barbecue est conçu pour permettre à la graisse de couler au fond de la chambre de cuisson, et de s'accumuler dans le récipient à graisse. (Fig. 12).
- Il est fortement recommandé de nettoyer la casserole après chaque utilisation pour éviter tout risque d'incendie de graisse.
- Une petite quantité de sable ou de litière à chat inodore et non agglomérante peut être ajoutée au bac à graisse pour absorber la graisse accumulée.



Figure 12



CONSEILS TECHNIQUES

N'allumez pas le brûleur de la rôtissoire lorsque les brûleurs principaux sont utilisés pour nettoyer la grille, car cela risque de surchauffer et endommager votre barbecue.

10. NETTOYAGE DE LA GRILLE DE CUISSON :

- Si les grilles sont très sales, tournez les brûleurs principaux à la position élevée pendant 10 minutes pour brûler les dépôts excédentaires. (NE faites PAS fonctionner le brûleur de la rôtissoire à ce moment, sinon votre barbecue risque de surchauffer.)
- Après chaque grillade, nettoyez les grilles de cuisson. Empêchez les excès de résidus de s'accumuler sur la surface de cuisson.
- Pour un nettoyage final, la surface de cuisson peut être lavée avec de l'eau chaude savonneuse, en utilisant un tampon à récurer Scotch Brite pour enlever les dépôts tenaces.

CONSEILS TECHNIQUES

Certains produits de nettoyage peuvent enlever les étiquettes sur écran de soie sur la console; faites preuve de prudence lors du nettoyage de celle-ci...

CONSEILS TECHNIQUES

Lors du nettoyage de salissures tenaces, polissez et frottez toujours dans le sens du grain de l'acier inoxydable.

11. NETTOYAGE EXTÉRIEUR :

- Utilisez un savon à vaisselle doux et de l'eau chaude pour nettoyer l'extérieur du barbecue.
- N'utilisez pas de nettoyants abrasifs, de tampons à récurer, de dégraissants puissants, etc., pour nettoyer l'extérieur du barbecue; cela égratignera la finition en acier inoxydable.
- Si vous utilisez le nettoyant Jackson en acier inoxydable pour éliminer toute corrosion sur la surface, assurez-vous de nettoyer dans le sens du grain de la finition afin de ne pas faire des remous dans l'acier inoxydable, ce produit est légèrement abrasif et doit être appliqué avec un chiffon doux.
- Des taches de graisse peuvent coller aux surfaces en acier inoxydable sous l'effet de la cuisson, ce qui peut ressembler à de la rouille. Utilisez un tampon abrasif avec un nettoyant en acier inoxydable pour enlever les taches de graisse.
- Sablez légèrement les rayures profondes avec du papier abrasif à grain de calibre 600 humide et sec.
- Rincez toujours avec de l'eau chaude propre.
- Utilisez un poli en aérosol pour nettoyer l'extérieur en acier inoxydable, cela lui redonnera de la brillance et aidera à le protéger des contaminants de surface et de la corrosion.

12. NETTOYAGE INTÉRIEUR :

- Retirez la grille de cuisson, le diffuseur de flamme et le brûleur du barbecue.
- Enlevez les excès de résidus à l'aide d'un grattoir ou d'un tampon nettoyeur.
- Vaporisez l'intérieur du foyer avec un dégraissant pour four et laissez reposer 5 minutes.
- Utilisez une brosse métallique en acier inoxydable pour assouplir les résidus de graisse et de nourriture.
- Lavez à l'eau savonneuse et rincez à l'eau chaude propre, puis essuyez.
- Laissez le couvercle ouvert pour permettre au barbecue de sécher à l'air complètement.

CONSEILS TECHNIQUES

Bon nombre de nettoyeurs peuvent être caustiques, utilisez donc de l'eau chaude savonneuse suivie d'un rinçage avec de l'eau chaude propre pour un nettoyage final.

13. NETTOYAGE ET ENTRETIEN DU BRÛLEUR PRINCIPAL :

- Assurez-vous que tous les boutons et robinets de gaz sont fermés.
- Retirez les brûleurs et inspectez les surfaces intérieures et extérieures pour vérifier la présence de contaminants ou de débris.
- Nettoyez la surface du brûleur extérieur avec une brosse à barbecue en acier rigide.
- Assurez-vous que tous les trous du brûleur sont exempts d'obstacles en perçant les trous à l'aide d'un grand trombone redressé. Ceci est **extrêmement important** pour prolonger la durée de vie du brûleur en acier inoxydable.
- Inspectez l'intérieur de chaque brûleur pour vérifier la présence d'insectes et de nids d'insectes; effectuez le nettoyage en utilisant un morceau de fil rigide.
- Nettoyez les entrées d'air à mailles (obturateurs d'air), au niveau de l'extrémité d'entrée de chaque brûleur.

Pour convertir votre barbecue, commandez le kit suivant.

JF-216	Kit de conversion LP en GN - JSS550. Tuyau non inclus.
JF-215	Kit de conversion GN en LP - JSS550. Tuyau non inclus.
JF-218	Kit de conversion LP en GN – JSS700. Tuyau non inclus.
JF-217	Kit de conversion GN en LP – JSS700. Tuyau non inclus.
JF-220	Kit de conversion LP en GN – JSS850. Tuyau non inclus.
JF-219	Kit de conversion GN en LP – JSS850. Tuyau non inclus.

14. ENTRETIEN DES DIFFUSEURS DE FLAMME :

- Enlevez les résidus et les gros morceaux de nourriture en utilisant une brosse en acier inoxydable, un grattoir ou un tampon nettoyeur après chaque utilisation.
- Si vous le désirez, vous pouvez utiliser des nettoyeurs pour le nettoyage final; puis rincez à l'eau chaude propre.
- Cela permettra de réduire les poussées de flamme et de prévenir une défaillance prématurée.

!AVERTISSEMENT!

Lors de la réinstallation des brûleurs principaux après le nettoyage, les orifices des robinets DOIVENT être placés dans le centre de chaque brûleur. Omettre de le faire pourrait laisser échapper des flammes autour des entrées du brûleur, ce qui pourrait entraîner des dommages ou des blessures.

Entreposage du barbecue :

- Nettoyez votre barbecue soigneusement avant de l'entreposer, car cela permettra de prolonger sa longévité.
- Lorsque la bouteille de propane n'est pas débranchée, entreposez le barbecue à l'extérieur hors de la portée des enfants.
- Entreposez le barbecue dans un endroit sec à l'intérieur SEULEMENT après avoir fermé et retiré la bouteille de propane.
- Toutes les bouteilles de propane doivent être entreposées à l'extérieur, hors de la portée des enfants. N'entreposez JAMAIS la bouteille dans un bâtiment, dans un garage ou dans tout autre espace fermé.
- Débranchez le tuyau de gaz naturel et rangez-le soigneusement sous votre barbecue.
- Entreposez toujours votre barbecue avec le couvercle installé. Entreposez-le dans un endroit sec et vérifiez périodiquement la présence d'humidité ou de moisissures si vous ne l'utilisez pas durant de longues périodes.

Dépannage :

C) AVERTISSEMENT CONCERNANT LES ARAIGNÉES ET LES INSECTES :

Les araignées et les insectes peuvent nicher dans les brûleurs pendant la période d'entreposage. Ce danger est une cause connue des incendies des barbecues. Nettoyez régulièrement, et avant d'entreposer le barbecue, les brûleurs principaux.

D) INSPECTON DES BRÛLEURS :

Inspectez les brûleurs à chaque fois que vous utilisez votre barbecue, ou immédiatement si l'un des faits suivants se produit :

4. des flammes jaunes avec une odeur d'insectes brûlés;
5. une température de cuisson trop basse ou irrégulière;
6. les brûleurs font des bruits de « pop ».

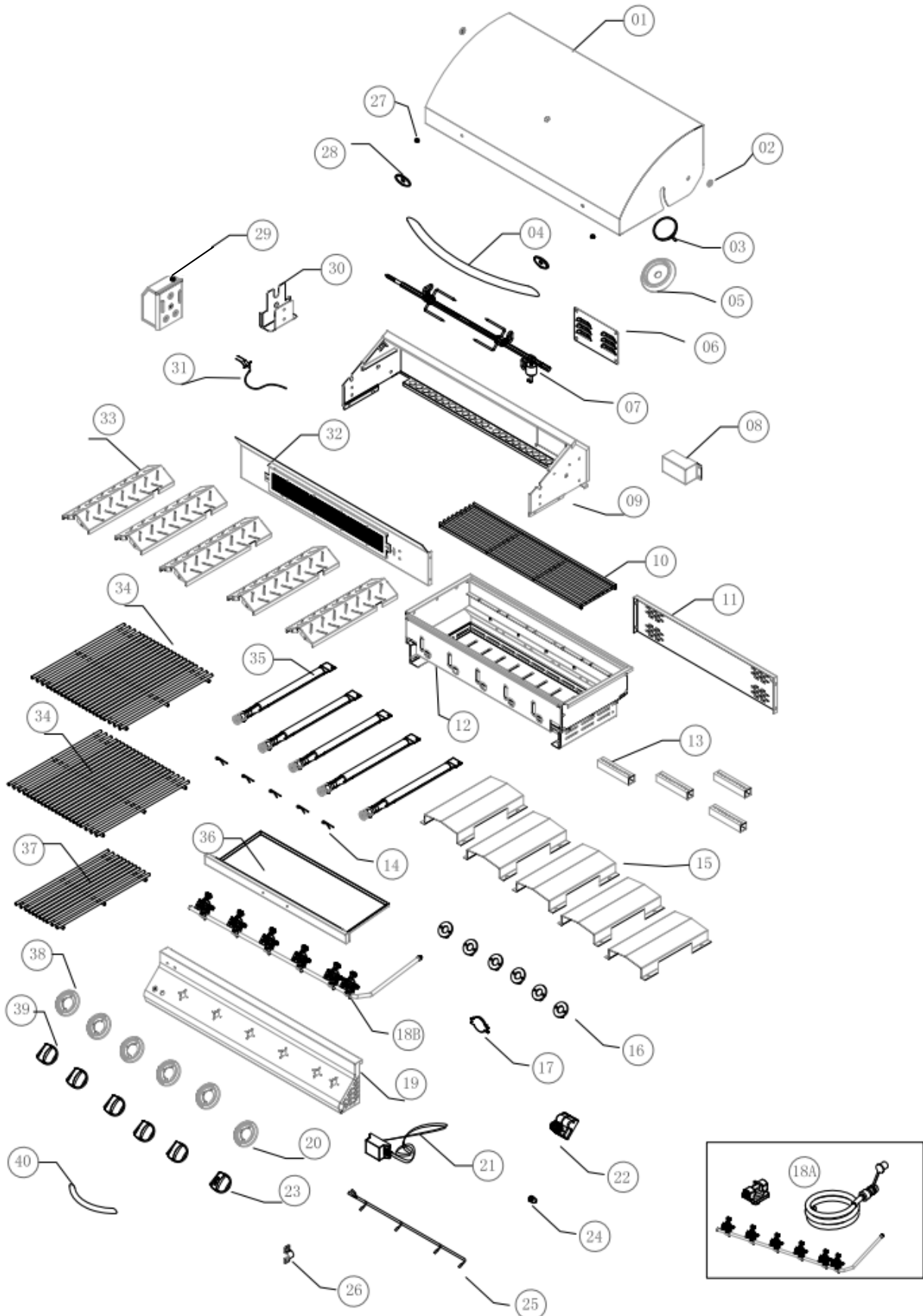
PROBLÈMES	CAUSE POSSIBLE	SOLUTIONS
La flamme de veilleuse ne s'allume pas :	L'électrode est contaminée avec des dépôts :	Utilisez une vieille brosse à dents, un peu d'alcool, et du papier d'émeri pour nettoyer la pointe et l'isolant de l'électrode.
	L'électrode ou le câble est endommagé et il n'y a aucune étincelle :	Remplacez l'ensemble du robinet de gaz ainsi que le fil.
	Le fil-électrode est desserré ou ne se trouve pas à sa place :	Rebranchez le fil-électrode au robinet de gaz.
	La flamme de veilleuse ou le tube de sortie est bouché :	Nettoyez la flamme de veilleuse et débouchez l'orifice en utilisant un fil fin.
	La sortie de gaz naturel ou le réservoir de propane achemine peu ou pas de carburant :	Vérifiez la pression du gaz naturel Vérifiez si la bouteille de propane est vide? Le robinet de sécurité de la bouteille de propane est déclenché (voir p. 9.)
Le brûleur principal ne s'allume pas après que la flamme de veilleuse est allumée avec succès :	Les orifices du brûleur sont bouchés ou maculés de résidus :	Inspectez les brûleurs et les orifices du robinet principal.
	La sortie de gaz naturel ou le réservoir de propane achemine peu ou pas de carburant :	Vérifiez la pression du gaz naturel Vérifiez si la bouteille de propane est vide? Le robinet de sécurité de la bouteille de propane est déclenché (voir p. 9.)
	Les obturateurs d'air sont fixés de manière incorrecte :	Réinstallez les obturateurs d'air jusqu'à ce que les caractéristiques de la flamme soient similaires à celles illustrées à la page 15.
	Les brûleurs sont mal installés et ne sont pas alignés avec l'orifice du robinet :	Réinstallez les brûleurs correctement, de telle sorte que l'orifice soit centré dans l'entrée du brûleur.
	Les robinets de gaz sont défectueux :	Remplacez les robinets de gaz si nécessaire.

Le brûleur de la rôtisserie arrière n'émet pas d'étincelle :	La pile dans le commutateur d'allumage du brûleur arrière est déchargée :	Remplacez la pile en dévissant le capuchon.
	Le commutateur/module d'allumage est défectueux :	Remplacez le commutateur/module d'allumage
	L'électrode du brûleur de la rôtissoire est contaminée.	Utilisez une vieille brosse à dents, un peu d'alcool, et du papier d'émeri pour nettoyer la pointe et l'isolant de l'électrode.
La chaleur est inadéquate :	Le régulateur est défectueux.	Remplacez le régulateur NG OU le tuyau de propane et le régulateur
	La pression d'entrée est basse.	Vérifiez la pression du gaz NG, vérifiez si la bouteille de propane est vide.
	Tuyau de gaz plié ou tordu :	Lissez le tuyau et vérifiez s'il y a les dégâts.
	Barbecue non préchauffé :	Préchauffez le barbecue pendant au moins 15 minutes
Le robinet de gaz ne tourne pas facilement :	La corrosion est présente au niveau de la tige de manœuvre :	Retirez le bouton et lubrifiez-le avec de l'huile pénétrante; tournez le robinet de l'avant vers l'arrière pour desserrer; lubrifiez régulièrement.
Flammes excessivement jaunes ou orange :	Combustion incomplète :	Réinstallez les obturateurs d'air de sorte que les caractéristiques de la flamme soient similaires à celles illustrées à la page 15.
Incendie de graisse ou poussées excessives de flammes :	L'excès de graisse sur la viande peut causer un incendie de graisse et des poussées de flamme :	Coupez le gras de la viande avant la cuisson (REMARQUE : vérifiez le bac à graisse et videz-le régulièrement)
	Dépôts d'excès de gras :	Nettoyez régulièrement la chambre de cuisson, le récipient à graisse et le bac à graisse avant chaque utilisation du barbecue.
Les flammes se soulèvent du brûleur pendant le fonctionnement :	Pression de gaz trop élevée :	Appelez un installateur de gaz professionnel ou un revendeur de bouteilles de propane
	Les obturateurs d'air sont fixés de manière incorrecte :	Réinstallez les obturateurs d'air jusqu'à ce que les caractéristiques de la flamme soient similaires à celles illustrées à la page 15.
Les boutons deviennent trop chauds :	Vent soufflant derrière le barbecue :	Repositionnez le barbecue ou installez un pare-vent.
	Le barbecue n'est pas de niveau :	Repositionnez le barbecue.

Si vous avez besoin d'aide, veuillez communiquer avec le détaillant chez qui vous avez acheté votre barbecue ou avec Jackson Grills en composant le 1 888 287-3333.



Vue éclatée : Modèle encastrable JSS



Liste des pièces : Modèle encastrable JSS

Loc.	Description	Pièce n°	JSS550	JSS700	JSS850
1	Couvercle	JH-200	1		
1	Couvercle	JH-201		1	
1	Couvercle	JH-202			1
2	Cale et rondelle d'espacement pour couvercle	JH-203	2	2	2
3	Thermomètre	JT-10	1	1	1
4	Poignée du couvercle	JH-204	1		
4	Poignée du couvercle	JH-205		1	
4	Poignée du couvercle	JH-206			1
5	Cadran pour thermomètre	JT-200	1	1	1
6	Couvercle d'accès à l'orifice de la rôtissoire	JH-207	1	1	1
7	Broche de la rôtissoire	JR-200	1		
7	Broche de la rôtissoire	JR-201		1	
7	Broche de la rôtissoire	JR-202			1
8	Récupérateur d'électrode de la rôtissoire	JE-200	1	1	1
9	Couvercle intérieur	JH-208	1		
9	Couvercle intérieur	JH-209		1	
9	Couvercle intérieur	JH-210			1
10	Grille-réchaud	JG-200	1		
10	Grille-réchaud	JG-201		1	
10	Grille-réchaud	JG-202			1
11	Panneau amovible arrière de la chambre de cuisson	JH-211	1		
11	Panneau amovible arrière de la chambre de cuisson	JH-212		1	
11	Panneau amovible arrière de la chambre de cuisson	JH-213			1
12	Chambre de cuisson (récipient)	JH-214	1		
12	Chambre de cuisson (récipient)	JH-215		1	
12	Chambre de cuisson (récipient)	JH-216			1
13	Briquet polyvalent	JH-217	2	3	4
14	Goupille fendue du brûleur	JH-218	3	4	5
15	Bouclier du bac à graisse	JH-219	3	3	5
16	Voyant DEL	JE-201	4	5	6
17	Logo de Jackson	JH-02	1	1	1
18A	Bloc de répartition (GN)	JF-200	1		
18A	Bloc de répartition (GN)	JF-201		1	
18A	Bloc de répartition (GN)	JF-202			1
S.O.	Valve: Main JSS GN (OS 1.5mm) - partie de l'assemblage du manifold	JF-211	3	4	5
S.O.	Valve: Rôtissoire JSS GN (OS 1.9mm) - faisant partie de l'assemblage du manifold	JF-213	1	1	1
18B	Bloc de répartition de propane)	JF-203	1		

Loc.	Description	Pièce n°	JSS550	JSS700	JSS850
18B	Bloc de répartition de propane)	JF-204		1	
18B	Bloc de répartition de propane)	JF-205			1
S.O.	Valve: Main JSS LP (OS .97mm) - partie de l'assemblage du manifold	JF-212	3	4	5
S.O.	Valve: Rôtissoire JSS LP (OS 1.13mm) - faisant partie de l'assemblage du manifold	JF-214	1	1	1
19	Assemblage de panneau de configuration (Console)	JH-220	1		
19	Assemblage de panneau de configuration (Console)	JH-221		1	
19	Assemblage de panneau de configuration (Console)	JH-222			1
20	Cadran de la rôtissoire	JK-202	1	1	1
21	Adaptateur électrique pour voyants	JE-202	1	1	1
22	Module d'allumage de la rôtissoire	JE-203	1	1	1
23	Poignée de la rôtissoire	JK-202	1	1	1
24	Interrupteur d'allumage	JE-204	1	1	1
25	Câble d'allumage	JE-205	1		
25	Câble d'allumage	JE-206		1	
25	Câble d'allumage	JE-207			1
26	Support pour collecteur	JH-223	1	1	1
27	Arrêt de porte pour couvercle	JH-224	2	2	2
28	Isolateur de la poignée du couvercle	JH-225	2	2	2
29	Moteur de rôtissoire	JR-05	1	1	1
30	Support du moteur de rôtissoire	JR-10	1	1	1
31	Électrode du brûleur de la rôtissoire	JE-208	1	1	1
32	Brûleur de la rôtissoire	JB-201	1	1	
32	Brûleur de la rôtissoire	JB-202			1
33	Diffuseurs de flamme	JD-200	3	4	5
34	Grille de cuisson (grande)	JG-203	1	2	2
35	Brûleur principal	JB-200	3	4	5
36	Bac à graisse	JH-226	1		
36	Bac à graisse	JH-227		1	
36	Bac à graisse	JH-228			1
37	Grille de cuisson (petite)	JG-204	1		1
38	Cadran de poignée principal	JK-201	3	4	5
39	Poignée principale	JK-200	3	4	5
40	Poignée du bac à graisse	JH-229	1	1	1
S.O.	Régulateur au gaz naturel (GN)	JF-99	1	1	1
S.O.	Ensemble de fourchette de rôtissoire	JR-203	1	1	1
S.O.	Compensateur de la rôtissoire	JR-204	1	1	1
S.O.	Couverture	JH-303	1		
S.O.	Couverture	JH-37		1	
S.O.	Couverture	JH-38			1

Garantie à vie limitée :

MODÈLE N° : Supreme JSS550BI-LP/NG; JSS700BI-LP/NG; JSS850BI-LP/NG

Jackson Grills Inc. garantit que les items suivants sont exempts de tout défaut de pièces et de fabrication, tant et aussi longtemps que vous êtes propriétaire du barbecue, et ce sous réserve des conditions suivantes :

Durée de vie: (à partir de la date d'achat); Les grills Jackson répareront ou remplaceront (à notre choix) tout acier inoxydable défectueux:

- Capot extérieur principal
- Manipuler
- Système de piédestal extérieur
- Capot intérieur

Garantie 10 ans plus 5 ans: (à compter de la date d'achat); Jackson Grills réparera ou remplacera (à notre choix) toute pièce en acier inoxydable défectueuse figurant dans la liste ci-dessous pendant les 10 premières années. À partir de 11-15 ans, Jackson Grills fournira 50% du prix de vente actuel de la pièce en acier inoxydable défectueuse de la liste ci-dessous:

- Brûleurs
- Grilles de cuisson
- Brûleur Rôtissoire
- Plateau chauffant
- Foyer

5 premières années: (à compter de la date d'achat); Jackson Grills remplacera ou réparera (à notre choix) gratuitement toute pièce défectueuse de la liste ci-dessous. À partir de 6 ans, toute pièce défectueuse dans la liste ci-dessous sera remplacée ou réparée (à notre choix) à 50% du prix de vente actuel, des pièces suivantes:

- Diffuseurs de flammes
- Crosslighters

Garantie de 2 ans: (à partir de la date d'achat); Jackson Grills remplacera ou réparera (à notre choix) gratuitement toute pièce défectueuse de la liste ci-dessous.

- Régulateur de gaz naturel
- Thermomètre
- Vannes à gaz
- Boutons et attaches
- Allumeur et électrode
- Accessoires
- Lumières
- Moteur de rôtissoire
- Ensemble complet de rôtissoire

Garantie limitée sujette aux conditions et limitations suivantes :

(REMARQUE : Les frais d'expédition et de main-d'œuvre NE sont PAS couverts.)

- La facture ou une preuve d'achat du propriétaire initial, ainsi que le numéro de série, seront exigés lors d'une réclamation de garantie auprès de votre détaillant autorisé. La carte d'enregistrement de garantie doit être retournée dans un délai de 30 jours, pour enregistrer votre garantie.
- Cette garantie d'usine est non transférable et ne peut être prolongée en aucun cas.
- Jackson Grills garantit ses produits à l'acheteur initial seulement (SANS EXCEPTION). Non destiné à un usage commercial.
- Cette garantie limitée ne couvre pas les dommages causés par une mauvaise utilisation, un manque d'entretien, des environnements hostiles, un accident, des altérations, des abus ou de la négligence, y compris les rayures, les bosses, la corrosion, la décoloration par la chaleur (tous les matériaux en acier inoxydable se décolorent), et des dommages abrasifs ou chimiques résultant de l'utilisation des nettoyants agressifs.
- Dans le cas d'une détérioration de pièces causant un mauvais fonctionnement pendant la période couverte par la garantie, un remplacement de ces pièces sera effectué, au cours de la première année seulement. Cette garantie couvre la réparation ou le remplacement des pièces garanties dont les matériaux ou la fabrication sont défectueux, pourvu que le produit ait été utilisé conformément aux instructions d'utilisation et dans des conditions normales.
- Après la première année, Jackson Grills se réserve le droit de se libérer complètement de toutes ses obligations concernant cette garantie limitée, en remboursant à l'acheteur initial (confirmé) le prix d'achat de gros des pièces garanties.
- Ce barbecue à gaz doit être installé par un technicien d'entretien ou entrepreneur qualifié et autorisé.
- Les pièces d'origine Jackson doivent toujours être utilisées; l'utilisation des pièces fournies par d'autres fabricants annulera la garantie.
- L'installation doit être effectuée en conformité avec les procédures d'installation décrites dans le manuel du propriétaire fourni.
- Jackson Grills et ses tiers ne seront aucunement responsables des frais d'installation, de main-d'œuvre ou de tout autre frais ou dépense liés au remontage d'une pièce garantie, et ces dépenses ne sont pas couvertes par cette garantie.
- Nonobstant toutes les dispositions contenues dans cette Garantie limitée, la responsabilité de Jackson Grills en vertu de cette garantie est définie comme susmentionnée, et ne s'applique à aucun dommage accidentel, consécutif ou indirect.
- Jackson Grills n'endosse ni n'autorise aucun tiers à assumer en son nom toute autre responsabilité concernant la vente de ce produit.
- Jackson Grills se réserve le droit d'inspecter toute pièce, avant d'approuver la réclamation de garantie.
- Jackson Grills et ses représentants n'assumeront AUCUNS frais d'expédition, de main-d'œuvre, de douane ou taxe d'exportation/importation.

